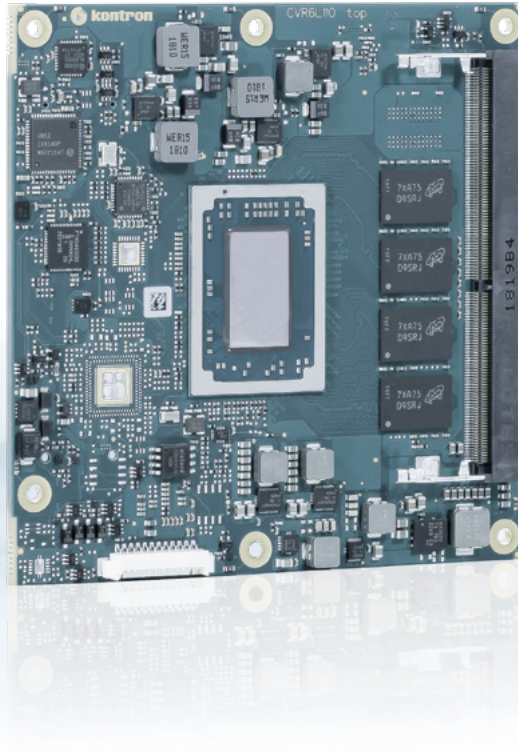


COMe-CVR6 (E2)



COM EXPRESS® Compact Type 6 with AMD Ryzen™ Embedded V/R1000 Series APUs

- ▶ Leading graphics performance
- ▶ Up to 4 independent display support
- ▶ Up to 48 GByte DDR4 memory (16 GByte DDR4 memory down)
- ▶ Industrial grade versions
- ▶ Support of Kontron's Embedded Security Solution (Approtect)

POSSIBILITIES START HERE

► TECHNICAL INFORMATION

COMPLIANCE	COM Express® compact Pin-out Type 6
DIMENSIONS (H x W)	95 x 95 mm
CPU	AMD V1807B, 4x 3.35 GHz (3.75 GHz), 35-54W AMD V1756B, 4x 3.25 GHz (3.6 GHz), 35-54W AMD V1605B, 4x 2.0 GHz (3.6 GHz), 12-25W AMD V1202B, 2x 2.5 GHz (3.4 GHz), 12-25W AMD V1404I, 4x 2.0 GHz (3.6 GHz), 12-25W AMD R1606G, 2x 2.6 GHz (3.5 GHz), 12-25W AMD R1505G, 2x 2.4 GHz (3.3 GHz), 12-25W
CHIPSET	Integrated SoC
MAIN MEMORY	1x DDR4 SO-DIMM up to 32 GByte, 2nd channel DDR4 memory down up to 16 GByte (non-ECC/ECC)
GRAPHICS CONTROLLER	Integrated AMD Vega Graphics (GFX9)
ETHERNET CONTROLLER	Intel® I210/I211
ETHERNET	10/100/1000 MBit Ethernet
HARD DISK	2x SATA 6Gb/s
FLASH ONBOARD	-
PCI EXPRESS® / PCI SUPPORT	Up to 5x PCIe 3.0 (On request: 6x without Ethernet) On request: Up to 8x PCIe x1 with 4x PCIe 3.0 + 4x PCIe 2.0 Up to 1x PEG x8
PANEL SIGNAL	DDI1: DP++, DDI2: DP++, DDI3: DP (R-Series: DDI1 & DDI2 only), VGA: -, LVDS: Dual Channel 18/24 bit
USB	3x USB 3.x (incl. USB 2.0) + 5x USB 2.0
SERIAL	2x serial interface (RX/TX only)
AUDIO	High Definition Audio interface
COMMON FEATURES	SPI, LPC, SMB, Fast I ² C, Staged Watchdog, RTC
BIOS	AMI Aptio V
ON REQUEST	eDP instead of LVDS, VGA, 1x PCIe x1 additional w/o onboard LAN, PCIe Switch, Security Chip
HUMIDITY	93 % relative Humidity at 40 °C, non-condensing (according to IEC 60068-2-78)
POWER MANAGEMENT	ACPI 6.0
POWER SUPPLY	8.5 V – 20 V Wide Range, Single Supply Power
SPECIAL FEATURES	POSCAP capacitors, Trusted Platform Module TPM 2.0
OPERATING SYSTEM	Windows® 10, Linux
TEMPERATURE	COMe-cVR6 - commercial temperature: 0 °C to +60 °C operating, -30 °C to +85 °C non-operating COMe-cVR6 E2 - industrial temperature: -40 °C to +85 °C operating, -40 °C to +85 °C non-operating
SUPPORTED MODULES	COMe-cVR6 xxxxxxx / COMe-cVR6 E2 xxxxxxx



HY-LINE Computer Components Vertriebs GmbH

Inselkammerstr. 10 | 82008 Unterhaching

+49 89 / 614 503 40

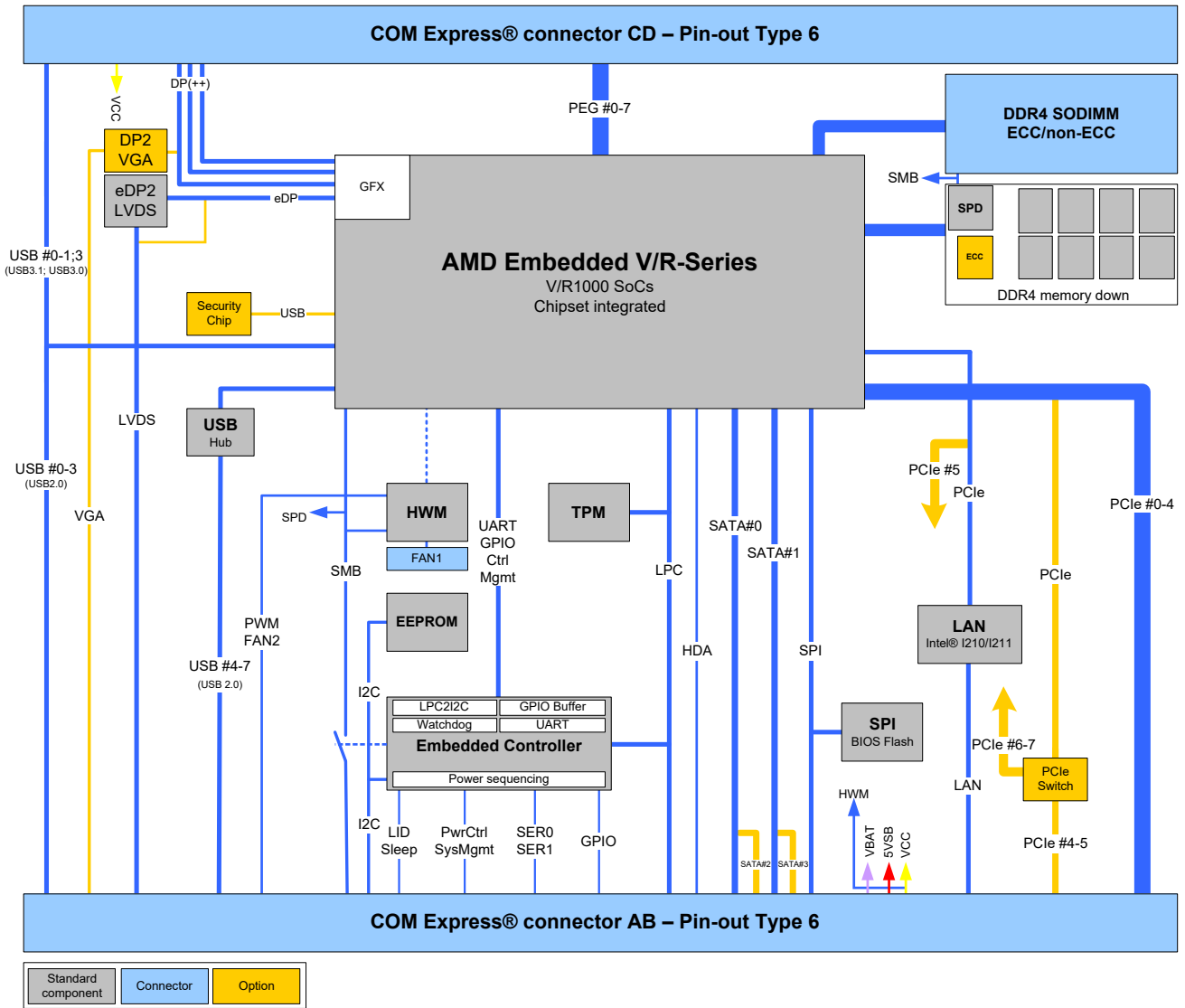
+49 89 / 614 503 50

computer@hy-line.de

hy-line-group.com
LEADER IN TECHNOLOGY.



► BLOCK DIAGRAM



Copyright © 2020 Kontron AG. All rights reserved. All data is for information purposes only and not guaranteed for legal purposes. Information has been carefully checked and is believed to be accurate; however, no responsibility is assumed for inaccuracies. Kontron and the Kontron logo and all other trademarks or registered trademarks are the property of their respective owners and are recognized. Specifications are subject to change without notice. COME-CVR0(CZ)-20200121-WNH

► GLOBAL HEADQUARTERS

KONTRON S&T AG

Lise-Meitner-Str. 3-5
 86156 Augsburg, Germany
 Tel.: + 49 821 4086 0
 Fax: + 49 821 4086 111
 info@kontron.com
 www.kontron.com



HY-LINE Computer Components Vertriebs GmbH

Inselkammerstr. 10 | 82008 Unterhaching

+49 89 / 614 503 40

+49 89 / 614 503 50

computer@hy-line.de

hy-line-group.com
 LEADER IN TECHNOLOGY.

