

AVIP-P5101TR-B1F

UHD⁺ 2x1 HDMI/DP to HDMI Bi-directional AV over IP Transceiver W/HID USB



This Transceiver is a brand new meaning of transceiver, which able to transmit and receive signal at the same time, there's no need to configure transmitter/receiver anymore. The unit is designed for high-quality, AV extension with minimum latency through IP transmit. With ultra-light compression scheme (lossless for most content) to extending, 4K audio/video streams (HDMI or DisplayPort) with simultaneous transmitter and receiver Video, and data under 0.1 milliseconds of matrix switch-like end to end transit. Full suite of peripherals supported, including 1G Ethernet, RS232, IR and HID USB. Supporting all HDMI 2.0 formats including multichannel PCM, Dolby True HD and DTS HD master audio.

PANELS



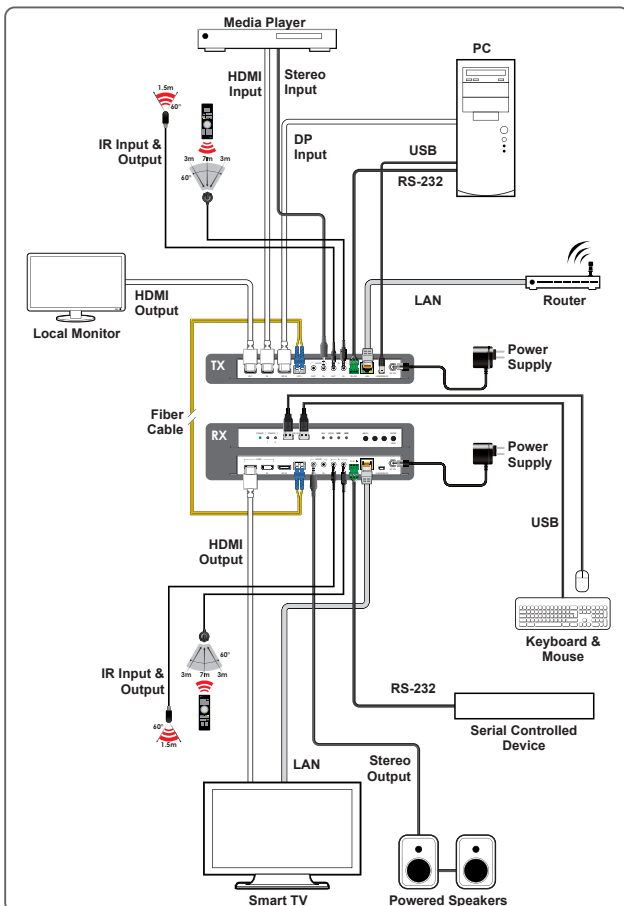
Front View

Rear View

FEATURES

- Support standard HID USB function
- Video wall image splitting with bezel correction
- Audio down-mixing engine from multi-channel PCM audio to stereo
- Colour space conversion and frame rate conversion
- Simultaneously transmission and receive.
- Signal transmission interfaces with 10-Gigabit Ethernet switches via XFI (IEEE 802.3ae) compatible SFP+ fiber modules
- Supports the use of an external control center or control software to provide expanded functionality

DIAGRAM



SPECIFICATIONS

Interfaces

Input Port	1 HDMI (Type A) 1 DisplayPort(Female) 1 Analog(3.5mm)
Output Port	1 HDMI (Type A) 1 Analog(3.5mm)
Bi-directional Port	1 10GbE LAN (SFP+)
Control I/O	1 Ethernet (RJ-45) 1 IR Extender (3.5mm) 1 IR Blaster (3.5mm) 1 RS-232 (3-pin terminal block) 1 USB (Mini-B) 2 USB(Type A)

Video

HDMI Compliance	HDMI 2.0 (DVI 1.0)
HDCP Compliance	2.X
Input Signal Types	4096x2160p@60 YUV 4:4:4
Output Signal Types	4096x2160p@60 YUV 4:4:4

Resolutions

Maximum Input	HDMI	4096x2160p@60 YUV 4:4:4
	DisplayPort	4096x2160p@60 YUV 4:4:4
Maximum Output	SFP+ (Streaming)	4096x2160p@60 YUV 4:4:4
	HDMI	4096x2160p@60 YUV 4:4:4

Audio

Digital Format	HDMI	LPCM (8 Channels), Bitstream, High Bit Rate Bitstream
	DisplayPort	LPCM (8 Channels), Bitstream, High Bit Rate Bitstream
	SFP+	LPCM (8 Channels), Bitstream, High Bit Rate Bitstream
Line Level	Line In	1 Vrms S/N Ratio: > 80dB (1kHz with 0dBFS)
	Line Out	1 Vrms S/N Ratio: > 80dB (1kHz with 0dBFS)

Power

Power Supply	12V/3A DC (Locking)
Power Consumption	18.51W

Enclosure

Chassis Material	Metal (Steel)
Chassis Color	Black
Dimensions (W×H×D)	231.5mm×25mm×158mm [Case Only] 231.5mm×25mm×167mm [All Inclusive]
Weight	916g

Field Firmware Update

PC

ORDERING INFORMATION

Model No.	Product Description
AVIP-P5101TR-B1F	UHD ⁺ 2x1 HDMI/DP to HDMI Bi-directional AV over IP Transceiver W/HID USB
AVIP-P5102TR-B1F	UHD ⁺ 2x1 HDMI/DP to HDMI Bi-directional AV over IP Transceiver W/USB 2.0 HUB
CH-V502TR	UHD ⁺ HDMI/USB AV over IP Transceiver
COH-TR7	UHD ⁺ HDMI/DP/USB AV over IP Transceiver