

AVIP-P5104T-B1C

UHD+ 2x1 HDMI/DP to HDMI AV over IP Transmitter



This Transmitter is designed for high-quality, IP routable, AV extension with minimum latency. By using a sophisticated ultra-light compression scheme (lossless for most content) it's a great solution for extending 4K audio/video streams and data. When combined with the optional IP Master Controller or control software, the functionality of the Transmitter expands exponentially. Multiple Transmitters and Receivers may be combined with one or more 10-Gigabit Ethernet switches and the units can be used together to form a distributed video matrix, a multiviewer system, or a video wall system adding to their flexibility in large event installations. The very own exclusive development technology of preview function has remedy the lack of this AV over IP solution and provide the way to fulfill the needs of long distance transmission.

PANELS



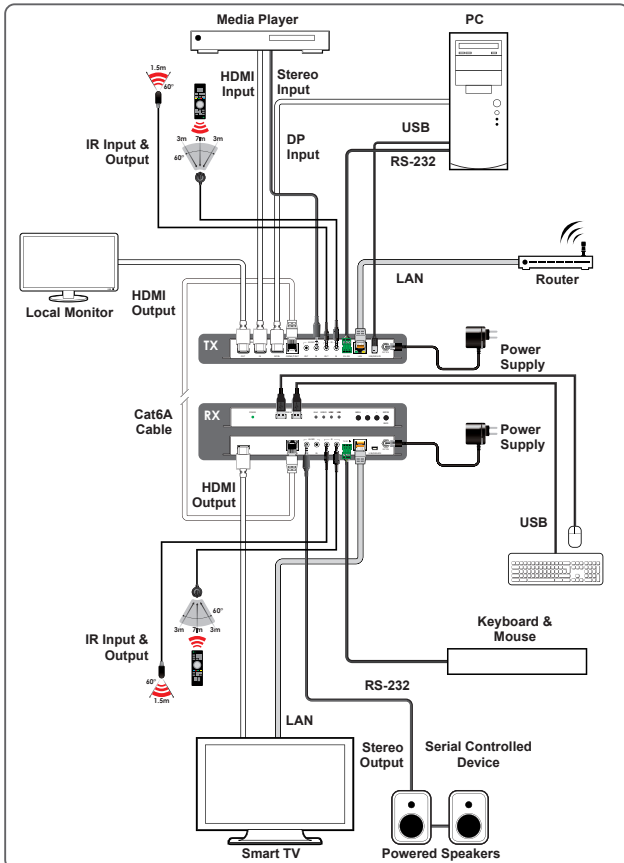
Front View

Rear View

FEATURES

- HDMI 2.0 and DVI 1.0 compatible, HDCP 2.2 and HDCP 1.x compliant
- 2 USB 2.0 (Type A) ports and 1 USB 2.0 (Mini B) port
- Supports pass-through of 10/12-bit HDR sources (Point-to-Point and Bypass modes only)
- Analog stereo audio extension, insertion and extraction (insertion and extraction requires optional IP Master Controller/control software)

DIAGRAM



SPECIFICATIONS

Interfaces

Input Port	1 HDMI (Type A) 1 DisplayPort(Female) 1 Analog(3.5mm)
Output Port	1 HDMI (Type A) 1 Analog(3.5mm) 1 10GbE LAN (RJ45)
Control I/O	1 Ethernet (RJ-45) 1 IR Extender (3.5mm) 1 IR Blaster (3.5mm) 1 RS-232 (3-pin terminal block) 1 USB (Mini-B) 2 USB(Type A)

Video

HDMI Compliance	HDMI 2.0 (DVI 1.0)
HDCP Compliance	2.2
Input Signal Types	4K@60 YUV 4:4:4
Output Signal Types	4K@60 YUV 4:4:4

Resolutions

Maximum Input	HDMI	4096×2160p@60 YUV 4:4:4
	DP	4096×2160p@60 YUV 4:4:4
Maximum Output	10G LAN (Streaming)	4096×2160p@60 YUV 4:4:4
	HDMI	4096×2160p@60 YUV 4:4:4

Audio

HDMI	LPCM (8 Channels), Bitstream, High Bit Rate Bitstream
DP	LPCM (8 Channels), Bitstream, High Bit Rate Bitstream
Line In	1 Vrms S/N Ratio: > 80dB (1kHz with 0dBFS)
Line Out	1 Vrms S/N Ratio: > 80dB (1kHz with 0dBFS)

Power

Power Supply	12V/3A DC (Locking)
Power Consumption	TBD

Enclosure

Chassis Material	Metal (Steel)
Chassis Color	Black
Dimensions (W×H×D)	231.5mm×25mm×158mm [Case Only] 231.5mm×25mm×167mm [All Inclusive]
Weight	594g

Field Firmware Update

PC

ORDERING INFORMATION

Model No.	Product Description
AVIP-P5104T-B1C	UHD+ 2x1 HDMI/DP to HDMI AV over IP Transmitter
AVIP-P5101TR-B1C	UHD+ 2x1 HDMI/DP to HDMI Bi-directional AV over IP Transceiver W/HID USB
AVIP-P5102TR-B1C	UHD+ 2x1 HDMI/DP to HDMI Bi-directional AV over IP Transceiver W/USB 2.0 HUB
AVIP-P5102TR-B1F	UHD+ 2x1 HDMI/DP to HDMI Bi-directional AV over IP Transceiver W/USB 2.0 HUB
AVIP-P5101TR-B1F	UHD+ 2x1 HDMI/DP to HDMI Bi-directional AV over IP Transmitter W/HID USB
AVIP-P5104R-B1C	UHD+ HDMI AV over IP Receiver
CH-V502TR	UHD+ HDMI/USB AV over IP Transceiver
COH-TR7	UHD+ HDMI/DP/USB AV over IP Transceiver

