

AVIP-P6101R-B1F

UHD+ 10G Dual Link to HDMI Receiver



The unit is flexible to operate with different link mode to fulfill the requirement of the environment. Dual link type transmitter and receiver could be able to expand 4K60 uncompressed signals simultaneously in both Transmitter and Receiver mode.

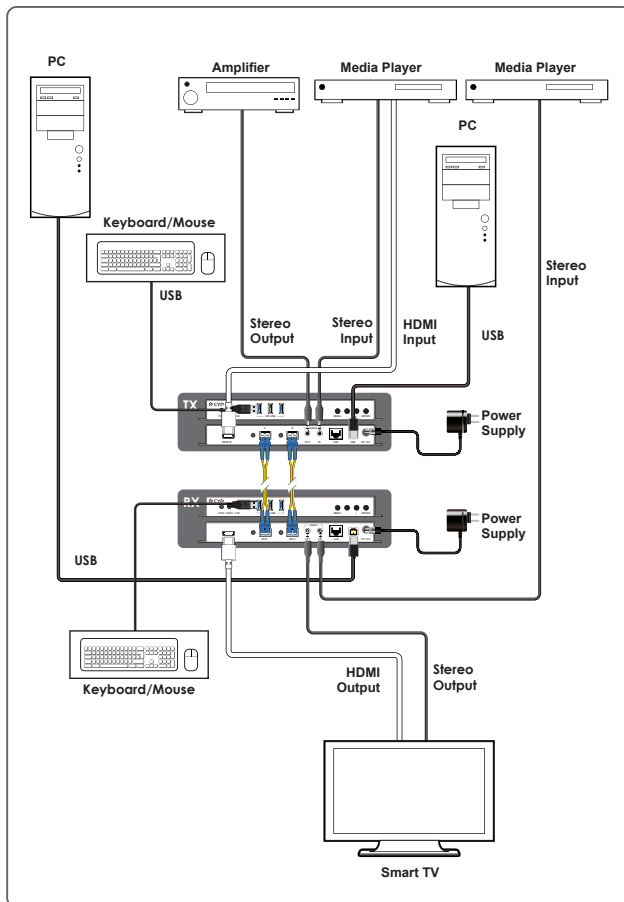
With Bidirectional audio, it is able to achieve 2 way live chat with low latency. Seamless transition between two sources of same resolution in fast switch mode, with only 3 frames black when transit between 2 sources of different resolutions.

Full suite of peripherals supported, including 1G Ethernet, RS232, and HID USB. Supporting all HDMI 2.0 formats including multichannel PCM, Dolby True HD and DTS HD master audio.

PANELS



DIAGRAM



FEATURES

- Uncompressed 4k@60p RGB in genlock mode
- 4k@30 endoscopy plus four sub 2k vital signs
- Flexible multiview as side by side, PiP for endoscopy, four 2k@30 quadview
- No crop, no stretch, and no change in aspect ratio in the scaled down video in multiview mode
- Preview at PC side
- *Note. Supports the use of an external control center or control software to provide expanded functionality*
- Dual link decoder operating in dual link mode can only operate in Genlock mode
- Dual link decoder operating in single link mode has the same capabilities as a standard single link encoder
- USB KVM function

SPECIFICATIONS

Interfaces

Input Port	1 Analog(3.5mm)
Output Port	1 Analog(3.5mm) 1 HDMI (Type A)
Bi-directional Port	2 10GbE LAN (SFP+)
Control I/O	1 LAN (RJ-45) 1 USB (Mini-B) 4 USB(Type A)

Video

HDMI Compliance	HDMI 2.0 (DVI 1.0)
HDCP Compliance	2.2
Input Signal Types	4K@60 YUV 4:4:4
Output Signal Types	4K@60 YUV 4:4:4

Resolutions

Maximum Input	20G LAN	4096×2160p@60 YUV 4:4:4
Maximum Output	HDMI (Streaming)	4096×2160p@60 YUV 4:4:4

Audio

HDMI	LPCM (8 Channels), Bitstream, High Bit Rate Bitstream
SFP+	LPCM (8 Channels), Bitstream, High Bit Rate Bitstream
Line In	2 Vrms S/N Ratio: > 80dB (1kHz with 0dBFS)
Line Out	2 Vrms S/N Ratio: > 80dB (1kHz with 0dBFS)

Power

Power Supply	12V/3A DC (Locking)
Power Consumption	TDB

Enclosure

Chassis Material	Metal (Steel)
Chassis Color	White
Dimensions (W×H×D)	231.5mm×25mm×158mm [Case Only] 231.5mm×25mm×167mm [All Inclusive]
Weight	943g

Field Firmware Update

PC

ORDERING INFORMATION

Model No.	Product Description
AVIP-P6101T-B1F	UHD+ HDMI over Dual Link Transmitter
AVIP-P6101R-B1F	UHD+ 10G Dual Link to HDMI Receiver