

# CH-1602RXR

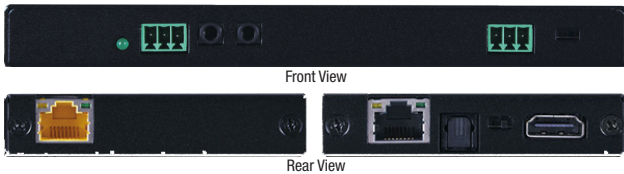
## HDMI over HDBaseT Receiver with Optical Audio Return (OAR)



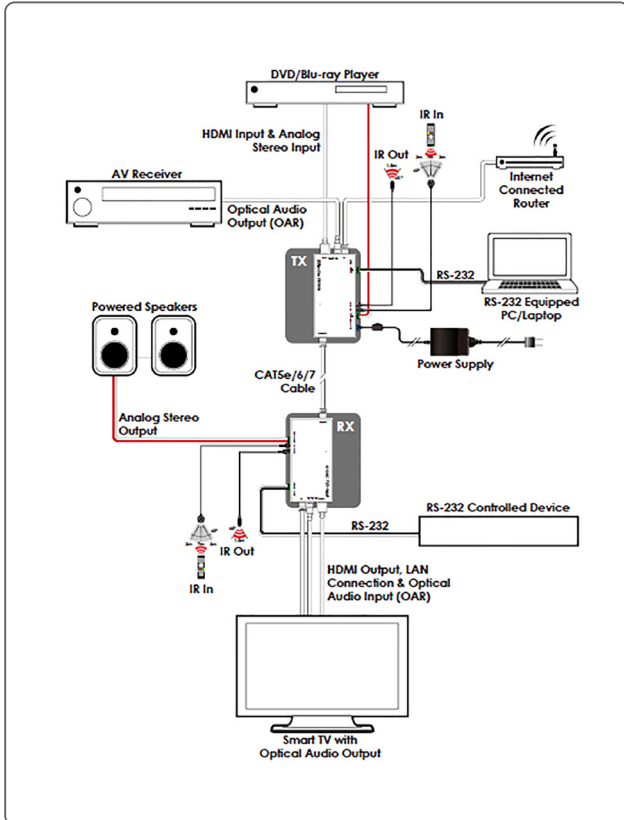
This HDBaseT 2.0 Transmitter and Receiver set can send uncompressed UHD video and audio over a single Cat.5e/6/7 cable up to 100m. It has the added benefit of extending control and communication signals through the built-in Ethernet, RS-232 and IR ports. Independent external digital and analog audio transmission capability gives users the extra convenience of additional audio connections.

The integrated 48V PoH (Power over HDBaseT) support provides power to the Receiver (PD) from the Transmitter (PSE), eliminating the need for a separate power supply for the Receiver. The ultra-thin mechanical design allows for flexibility in mounting locations, saving space and making your presentation space orderly and tidy.

### PANELS



### DIAGRAM



### FEATURES

- Supports the HDBaseT 2.0 specification over a single Cat.6/7 cable up to 100m/328ft and Cat.5e cable up to 90m/295ft
- HDBaseT 5Play™ convergence: High-Definition (HD) Video and Audio, 100BaseT Ethernet, 48V PoH, and Control (Bi-directional IR/ RS-232 pass-through)
- Receiver (PD) is powered by 48V PoH from the transmitter (PSE)
- HDMI with 3D & 4K@60Hz (YUV 4:2:0) support
- Supports pass-through of HD audio formats: LPCM 2.0/5.1/7.1, Bitstream, and HD Bitstream
- Supports optical audio sampling rates up to 48kHz
- Supports external analog and digital audio extension including support for ARC (Audio Return Channel)
- Supports RS-232 baud rates up to 115200bps
- Ultra-thin mechanical design

### SPECIFICATIONS

#### Interfaces

<b>Input Port</b>	1 HDBaseT(RJ-45) 1 Optical Audio (TOSLINK) 1 IR Extender (3.5mm)
<b>Output Port</b>	1 HDMI (Type-A) 1 Stereo Audio (Terminal Block) 1 LAN (RJ45) 1 IR Blaster (3.5mm) 1 RS-232 (Terminal Block)

#### Video

<b>HDMI Compliance</b>	HDMI 1.4 (DVI 1.0)
<b>HDCP Compliance</b>	2.x
<b>Input Signal Type</b>	4K@60 YUV 4:2:0
<b>Output Signal Type</b>	4K@60 YUV 4:2:0

#### Resolutions

<b>Maximum Input</b>	HDBaseT	4096x2160p@60 YUV 4:2:0
<b>Maximum Output</b>	HDMI	4096x2160p@60 YUV 4:2:0

#### Power

<b>Power Supply</b>	48V/0.83A DC (US/EU standards, CE/FCC/UL certified)
<b>Power Consumption</b>	15.5W

#### Enclosure

<b>Chassis Material</b>	Aluminum
<b>Chassis Color</b>	Black
<b>Dimensions (W×H×D)</b>	180mm×16mm×80mm [Case Only] 180mm×16mm×80mm [All Inclusive]
<b>Weight</b>	356g

#### Field Firmware Update

PC

### ORDERING INFORMATION

Model No.	Product Description
<b>CH-1602RXR</b>	HDMI over HDBaseT Receiver with Optical Audio Return (OAR)
<b>CH-1602TXR</b>	HDMI over HDBaseT Transmitter with Optical Audio Return (OAR)