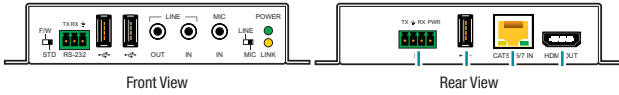


CH-1610RXPL

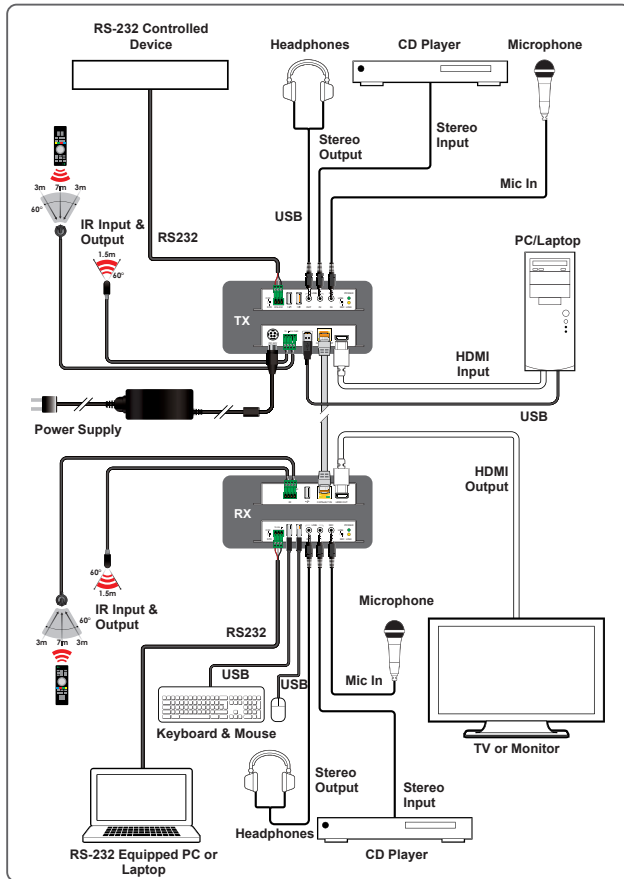
UHD HDMI/USB to HDBaseT Receiver

The HDMI over single CAT5e/6/7 Receiver set can send uncompressed audio/video over a single run of CAT5e/6/7 cable at a distance up to 35 meter. Multi-control interfaces are available which includes IR, RS-232 and USB connection. This extender complies with advanced protocols of HDCP 2.2 and HDMI 2.0, as well as supporting the legacy HDCP 1.x standards.

PANELS



DIAGRAM



FEATURES

- Supports pass-through of audio formats including LPCM 2.0/5.1/7.1, Bitstream and HD Bitstream over HDMI
- HDBaseT 2.0 compatible
- HDMI 2.0 and DVI 1.0 compatible
- HDCP 2.2 and HDCP 1.x compliant
- Simultaneous transmission of uncompressed data over a single CAT5e/6/7 cable up to 35m
- Supports UHD resolutions up to 3840×2160@60Hz (4:2:0, 8-bit) & 4096×2160@60Hz (4:2:0, 8-bit)
- Supports 16-bit Deep Color up to 1080p@60Hz
- Supports standard 48V from Transmitter (PSE) to Receiver (PD)

SPECIFICATIONS

Interfaces

Input Port	1x Stereo Audio input 1x Microphone input 1x HDBaseT (RJ-45)
Output Port	1x HDMI (Type-A) 1x Stereo Audio output
Pass-through Port	1x IR In/Out (4-pin terminal block) 1x RS-232 (3-pin terminal block) 3x USB 2.0(Type-A)

Video

HDMI Compliance	HDMI 2.0 (DVI 1.0)
HDCP Compliance	2.2
Input Signal Type	4K@60, YUV 4:2:0
Output Signal Type	4K@60, YUV 4:2:0

Resolutions

Maximum Input	HDMI	4096x2160p@60 YUV 4:2:0
Maximum Output	HDBaseT6/7	4096x2160p@60 YUV 4:2:0

Audio

HDMI Input 1,2	LPCM (2 Channels, 48KHz), Bitstream
HDMI Output	LPCM (2 Channels, 48KHz), Bitstream

Power

Power Consumption	TBD
--------------------------	-----

Enclosure

Chassis Material	Metal (Steel)
Chassis Color	Black
Dimensions (W×H×D)	128mm×25mm×108mm [Case Only] 128mm×25mm×111mm [All Inclusive]
Weight	392g

Field Firmware Update

UART

ORDERING INFORMATION

Model No.	Product Description
CH-1610TXPL	UHD HDMI/USB to HDBaseT Transmitter
CH-1610RXPL	UHD HDMI/USB to HDBaseT Receiver
MED-VPR-8430	Multi-viewer with Streaming Solution and Stand-alone PC-based System for Video Capturing