

CH-2602TXWPUS

HDMI over HDBaseT Transmitter (PD) with Optical Audio Return (OAR)



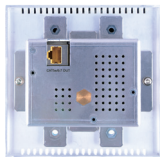
This HDBaseT 2.0 Transmitter can send uncompressed UHD video and audio to a compatible Receiver over a single Cat.5e/6/7 cable up to 100m. It has the added benefit of extending control and communication signals through the built-in Ethernet, USB, RS-232 and IR ports. Independent external digital and analog audio transmission capability gives users the extra convenience of additional audio connections.

This unit's system supports connecting any standard USB 2.0 host to the Transmitter, enabling the extension of the USB connection to up to 2 USB ports located on the Receiver, allowing it to act like a USB hub. The integrated 48V PoH (Power over HDBaseT) support provides power to the Transmitter (PD) from the Receiver (PSE), eliminating the need for a separate power supply for the Receiver. The 2 gang US wallplate mechanical design allows for flexibility in mounting locations, saving space and making your presentation space orderly and tidy.

PANELS

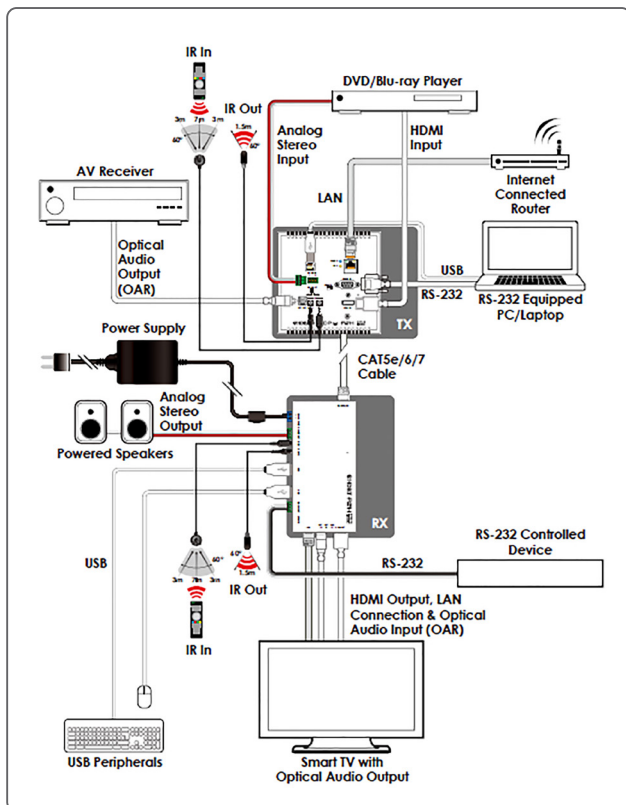


Front View



Rear View

DIAGRAM



FEATURES

- Supports the HDBaseT 2.0 specification over a single Cat.6/7 cable up to 100m/328ft and Cat.5e cable up to 90m/295ft
- HDBaseT 5Play™ convergence: High-Definition (HD) Video and Audio, 100BaseT Ethernet, 48V PoH, and Control (Bi-directional IR/ RS-232 pass-through)
- Transmitter (PD) is powered by 48V PoH from the Receiver (PSE)
- 1×USB 2.0 Type B port
- Supports pass-through of HD audio formats: LPCM 2.0/5.1/7.1, Bitstream, and HD Bitstream
- Supports optical audio sampling rates up to 48kHz
- Supports external analog and digital audio extension including support for ARC (Audio Return Channel)
- Supports RS-232 baud rates up to 115200bps
- 2 gang US wallplate mechanical design

SPECIFICATIONS

Interfaces

Input Port	1 HDMI (Type-A) 1 USB 2.0 (Type B) 1 Stereo Audio (Terminal Block) 1 LAN (RJ45) 1 IR Extender (3.5mm) 1 RS-232 (9-pin D-sub)
------------	---

Output Port	1 HDBaseT(RJ45) 1 Optical Audio (TOSLINK) 1 IR Blaster (3.5mm)
-------------	--

Video

HDMI Compliance HDMI 1.4 (DVI 1.0)

HDCP Compliance 2.x

Input Signal Type 4K@60 8bit YUV 4:2:0

Output Signal Type 4K@60 8bit YUV 4:2:0

Resolutions

Maximum Input HDMI 4096x2160p@60 YUV 4:2:0

Maximum Output HDBaseT 4096x2160p@60 YUV 4:2:0

Power

Power Consumption 16.72W (PoH)

Enclosure

Chassis Material Metal

Chassis Color Black

Dimensions (W×H×D) 125mm×127mm×36.8mm [Case Only]
125mm×127mm×41.8mm [All Inclusive]

Weight 260g

Field Firmware Update

PC

ORDERING INFORMATION

Model No.	Product Description
CH-2602TXWPUS	HDMI over HDBaseT Transmitter (PD) with Optical Audio Return (OAR)
CH-2602RX	HDMI over HDBaseT Receiver (PSE) with Optical Audio Return (OAR)