



CH-515RXPT

HDMI over Single CAT5e/6/7 Receiver with LAN/PoE



Operation Manual

**Vertrieb durch
Distribution by**

HY-LINE®

COMPUTER COMPONENTS

Inselkammerstr. 10

D-82008 Unterhaching

Tel.: +49 89 614 503 40

www.hy-line.de

DISCLAIMERS

The information in this manual has been carefully checked and is believed to be accurate. Cypress Technology assumes no responsibility for any infringements of patents or other rights of third parties which may result from its use.

Cypress Technology assumes no responsibility for any inaccuracies that may be contained in this document. Cypress also makes no commitment to update or to keep current the information contained in this document.

Cypress Technology reserves the right to make improvements to this document and/or product at any time and without notice.

COPYRIGHT NOTICE

No part of this document may be reproduced, transmitted, transcribed, stored in a retrieval system, or any of its part translated into any language or computer file, in any form or by any means—electronic, mechanical, magnetic, optical, chemical, manual, or otherwise—without express written permission and consent from Cypress Technology.

© Copyright 2009 by Cypress Technology. All Rights Reserved.

Version 1.0 October 2009

TRADEMARK ACKNOWLEDGMENTS

All products or service names mentioned in this document may be trademarks of the companies with which they are associated.

Vertrieb durch
Distribution by

HY-LINE[®]

COMPUTER COMPONENTS

Inselkammerstr. 10
D-82008 Unterhaching
Tel.: +49 89 614 503 40
www.hy-line.de



SAFETY PRECAUTIONS

Please read all instructions before attempting to unpack, install or operate this equipment and before connecting the power supply.

Please keep the following in mind as you unpack and install this equipment:

- Always follow basic safety precautions to reduce the risk of fire, electrical shock and injury to persons.
- To prevent fire or shock hazard, do not expose the unit to rain, moisture or install this product near water.
- Never spill liquid of any kind on or into this product.
- Never push an object of any kind into this product through any openings or empty slots in the unit, as you may damage parts inside the unit.
- Do not attach the power supply cabling to building surfaces.
- Use only the supplied power supply unit (PSU). Do not use the PSU if it is damaged.
- Do not allow anything to rest on the power cabling or allow any weight to be placed upon it or any person walk on it.
- To protect the unit from overheating, do not block any vents or openings in the unit housing that provide ventilation and allow for sufficient space for air to circulate around the unit.

REVISION HISTORY

VERSION NO.	DATE DD/MM/YY	SUMMARY OF CHANGE
RDV1	09/05/13	Preliminary release
VS1	25/12/13	Updated format/diagrams

Vertrieb durch
Distribution by

HY-LINE[®]

COMPUTER COMPONENTS

Inselkammerstr. 10
D-82008 Unterhaching
Tel.: +49 89 614 503 40
www.hy-line.de

CONTENTS

1. Introduction	1
2. Applications	1
3. Package Contents	1
4. System Requirements	1
5. Features	1
6. Operation Controls and Functions	2
6.1 Front Panel.....	2
6.2 Rear Panel	3
7. Connection Diagram	4
8. Specifications	5
9. Acronyms	6

Vertrieb durch
Distribution by

HY-LINE[®]

COMPUTER COMPONENTS

Inselkammerstr. 10
D-82008 Unterhaching
Tel.: +49 89 614 503 40
www.hy-line.de



1. INTRODUCTION

The CH-515RXPT Receiver can receive uncompressed audio/video and IP data over a single run of CAT5e/6/7 cable up to distances of 100m. It has the added benefit of a bi-directional LAN serving, allowing devices such as a Smart TV or games consoles to share an Internet connection. The unit can be powered by PoE (Power over Ethernet) from a compatible transmitter, allowing for greater flexibility in installations.

2. APPLICATIONS

- Household entertainment and LAN sharing
- Lecture room display and LAN sharing
- Showroom display and LAN sharing
- Meeting room presentation and LAN sharing
- Classroom display and LAN sharing

3. PACKAGE CONTENTS

- 1×HDMI over Single CAT5e/6/7 with LAN/PoE Receiver
- Operation Manual

4. SYSTEM REQUIREMENTS

HDMI source equipment such as DVD/Blu-ray player, HDBaseT™ transmitter and TV/display with HDMI input jack.

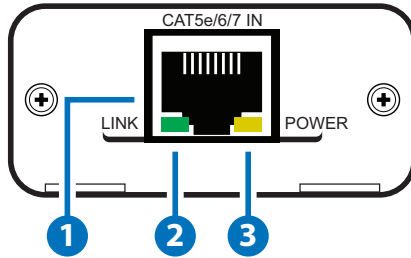
5. FEATURES

- HDMI with 3D, 4K×2K support, HDCP and DVI compliant
- Simultaneous transmission of uncompressed data over a single CAT5e/6/7 cable up to 100m/328ft
- Uncompressed video support up to 1080p@60 Hz/12-bit
- High definition audio support up to LPCM 7.1CH, Dolby TrueHD, Dolby Digital Plus and DTS-HD Master Audio
- Supports HDCP repeater and CEC function
- Installation friendly

The PoE function is designed for use with compatible Transmitter units only. Transmitters from other brands may not be compatible.

6. OPERATION CONTROLS AND FUNCTIONS

6.1 Front Panel



1 CAT5e/6/7 IN

Connect to the transmitter unit with a Single CAT5e/6/7 cable for transmission of all data signals.

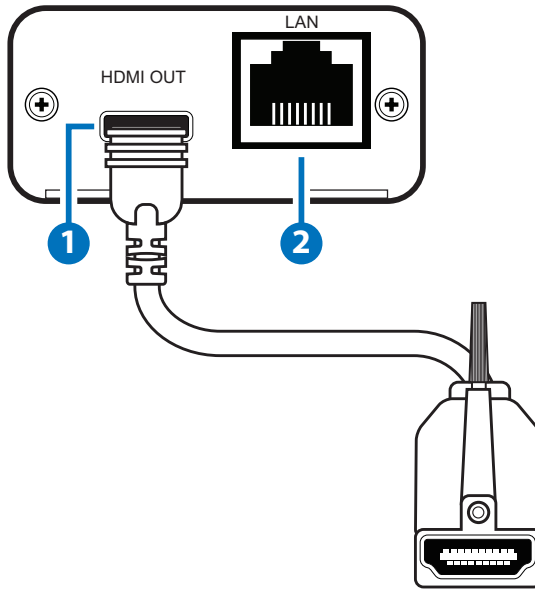
2 LINK LED

The yellow LED will illuminate when both the input and output signals are connected through the CAT cable.

3 POWER LED

The green LED will blink when the device is receiving a power supply from the transmitter.

6.2 Rear Panel



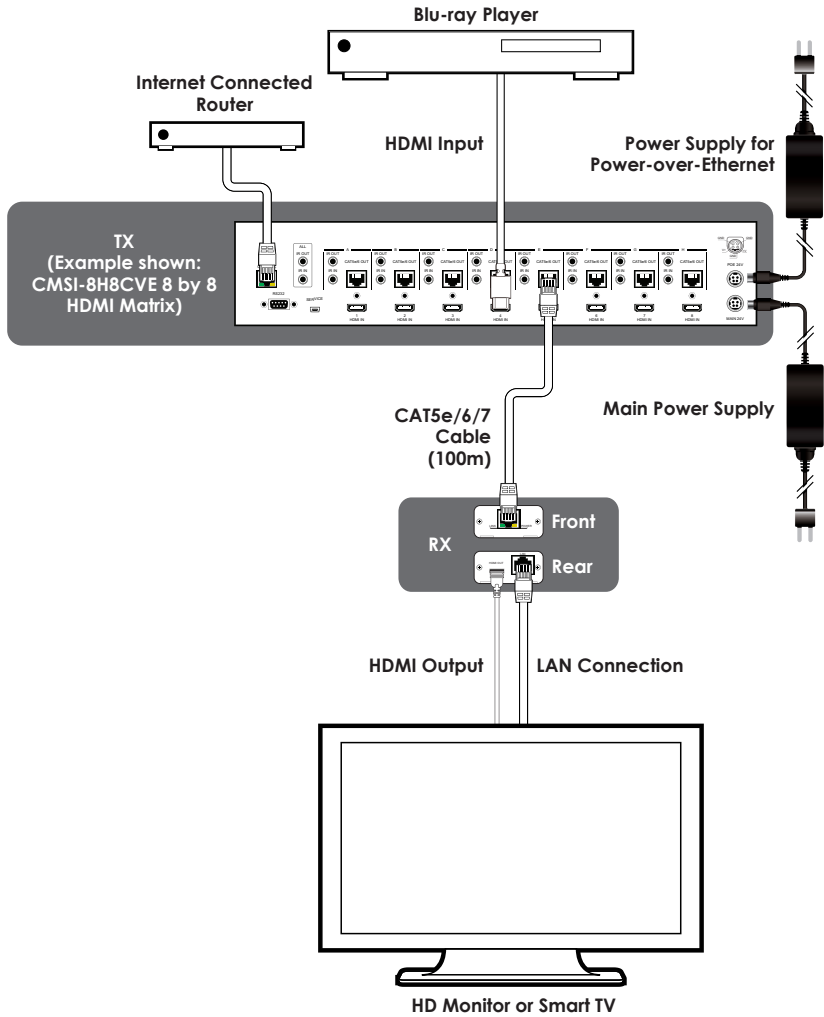
1 HDMI OUT

Connect to a HDMI equipped TV/monitor for display of the HDMI input source signal.

2 LAN

The LAN connection can be used to share a network or internet connection to a PC/Laptop or Smart TV that is connected to the receiver or can be connected to a network link to provide network/internet service to the transmitter (LAN equipped transmitters only)

7. CONNECTION DIAGRAM





8. SPECIFICATIONS

Video Bandwidth	340 MHz/10.2 Gbps
Ethernet Speed	100 Mbps
Input Port	1×CAT5e/6/7
Output Ports	1×HDMI, 1×LAN (RJ45)
HDMI Output Cable Distance	Up to 10 meters
CAT5e/6 Input Cable Distance	Up to 100 meters
HDMI Adaptor Length	0.45 m
Resolutions Support	480i~1080p@50/60, 1080p@24, 4K2K & VGA~WUXGA
ESD Protection	Human body model: ±8kV (air-gap discharge) ±4kV (contact discharge)
Dimensions	50 mm (W)×130 mm (D)×23 mm (H)
Operating Temperature	0 °C ~ 40 °C / 32 °F ~ 104 °F
Storage Temperature	-20 °C ~ 60 °C / -4 °F ~ 140 °F
Relative Humidity	20 ~ 90 % RH (non-condensing)
Power Consumption	12.1 W

9. ACRONYMS

ACRONYM	COMPLETE TERM
CAT5e	Category 5 Cable
CAT6	Category 6 Cable
CAT7	Category 7 Cable
CEC	Consumer Electronic Control
DVI	Digital Visual Interface
HDCP	High-bandwidth Digital Content Protection
HDMI	High Definition Multimedia Interface
PoE	Power over Ethernet
4K2K	UltraHD (3840×2160/4096×2160)



CYPRESS TECHNOLOGY CO., LTD
Home page: <http://www.cypress.com.tw>

MPM-DCT23