



Industrial



COTS



Test



COMM



The 4" x 2.4" footprint, high efficiency PFH500 series of AC-DC power modules are used in environments where convection or forced air cooling is not viable. Suitable for use in outdoor enclosures or liquid cooled applications, these pcb mounted power modules accept a wide range AC input and deliver an adjustable, regulated output. High ambient temperatures can be tolerated as the conduction cooled baseplate can withstand -40 to 100°C temperatures. These third generation modules also have a PMBus™ interface with read/write capability for remote monitoring and programming.

Features

- Compact 4" x 2.4" x 0.53" Brick Package
- Metal Case
- High Power Density, High Efficiency
- 100°C Rated Baseplate Temperature
- PMBus™ Interface
- Optional Droop Mode Load Sharing

Benefits

- Less Board Area Required
- Easier Thermal Management and Lower Radiated EMI
- Less Waste Heat to Manage and Reduced AC Power Consumption
- Cold plate / Conduction Cooling for Fanless and Rugged Environments
- Remote Monitoring and Programming via i²C
- Simplified Paralleling for Higher Power or Redundant Applications

Model Selector

Model	Nominal Output Voltage (V)	Output Adjust Range (V)	Maximum Output Current (A)	Maximum Power (W) ⁽¹⁾	Mounting Inserts	Droop Mode Current Share
PFH500A-28-000-R	28	22.4 - 33.6	18	504	3.3mm Ø Non-threaded	No
PFH500A-28-100-R	28	22.4 - 33.6	18	504	3mm (M3) Threaded	No

PFH500A	-	28	-	1	00	-	R
		Output voltage 28V		0 Non-threaded inserts 1 M3 threaded inserts			RoHS Compliant

Related Products

	Part Number	Description
Heatsink	HS00110	2.4" x 4" x 1.5" aluminum heatsink with cylindrical pin fins with integrated thermal pad
Inrush Resistor	AR00719	22Ω 1.6W Thermal fuse resistor
EMI Common Mode Choke	ARA00499	6.3 mH Common Mode Inductor, Through Hole
Evaluation Kits		Contact Technical Support

Specifications		
Model	PFH500F-28	
Input		
Input Voltage Range	Vac	85 - 135 (See derating curve)
Input Frequency	Hz	375 - 420
Input Current (115/230 Vac)	A	5.4
Inrush Current	A	10
Leakage Current	-	Will depend on the value of the external Y capacitors (refer to evaluation data)
Power Factor (80% load)	-	≥ 0.9
No Load Power Consumption	-	See evaluation report on website
Hold-up Time	ms	Will depend on the value of the external bulk capacitance (refer to evaluation data)
Efficiency (typ 115/230Vac, 100% Load)	%	90 / 92
Insulation Class	-	Class II
Safety Agency Certifications	-	CE Mark
Output		
Output Voltage Setpoint Tolerance	%	±2% (115Vac, I _o = 0%)
Line Regulation (50% Load)	%	0.15
Load Regulation (115/230Vac)	%	0.1
Droop Rate (-xDx-R suffix)	mV/A	50
Ripple & Noise	mV	400
Minimum Load	-	No minimum load required
Overcurrent Protection (hiccup)	A	21.5
Overvoltage Protection (max)	V	35.5
Overtemperature Protection	°C	Input line / output load dependent (Refer to Instruction Manual)
Remote Sense	-	Yes
Remote ON/OFF	-	Negative Logic; Low (< 1V) = Module On (300 µA, 3.3V max)
Power Good	-	Active Low (< 1 Vdc @ 150 mA, 50V max)
Auxiliary Output	Vdc	10 - 14 @ 200 mA max.
External Load Capacitance (CC Mode)	µF	470 - 6,000
External Load Capacitance (CR Mode)	µF	470 - 20,000
Series Operation	-	Yes
Parallel Operation	-	Contact Technical Support
Environmental		
Operating Baseplate Temperature	°C	-40 - 100 (see derating curves)
Storage Temperature	°C	-55 to 125
Humidity (non condensing)	%RH	20-95 (Operating) / 10-95 (Non Operating)
Cooling	-	Conduction
Altitude	m	2,000 (contact factory for higher altitudes)
Withstand Voltage	Vac	Input to Output: 3.0kVac; Input to Case: 2.5kVac; Output to Case: 1.5kVac
Vibration	-	MIL-STD-810G 514.6 Cat 4, 10
Shock	-	MIL-STD-810G 516.6 Procedure I
Other		
Communications Interface	-	i ² C (2 Address pins, CLK, Data, Alert) / PMBus Protocol (Refer to PFH500 PMBus Specifications and GUI)
Weight	g	225
Size (LxWxH)	mm	101.6 x 61.0 x 13.3
Size (LxWxH)	in	4.00 x 2.40 x 0.53
Warranty	yrs	3

PMBus Monitoring and Programming Functions	
Function	PMBus Commands
Output Voltage Data Format	Read only
Output Voltage Programming	Read / Write
Output Droop Rate (Current share)	Read only
Overvoltage Protection Set Point	Read / Write
Overtemperature Protection Fault Limit	Read / Write
Overcurrent Protection Set Point	Read / Write
Output Undervoltage Fault Trip Limit	Read / Write
Internal Temperature Monitor 1 (Output)	Read only
Internal Temperature Monitor 2 (Output)	Read only
Internal Temperature Monitor 3 (Input)	Read only
Internal Temperature Monitor 3 (Input)	Read only
High Voltage Bus Monitor	Read only
Output Voltage Monitor	Read only
Output Current Monitor	Read only
DC-DC Switching Frequency Monitor	Read only
Input Voltage Monitor	Read only
Input Current Monitor	Read only
Power Supply Status	Read only
Power Supply Fault Status	Read only
SMBAlert Mask	Read / Write
Remote On/Off	Write only
Manufacturing Information	Read only
Restore Data Functions	Read / Write

Notes:

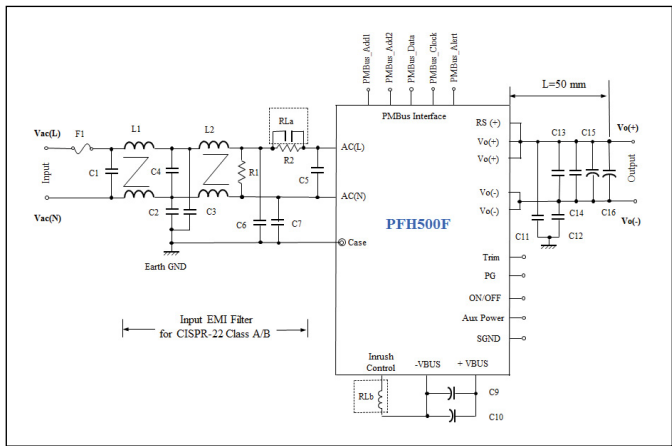
See website for detailed specifications, evaluation data and instruction manual.

Specifications are typical based on nominal inputs, 25°C ambient temperature unless otherwise stated.

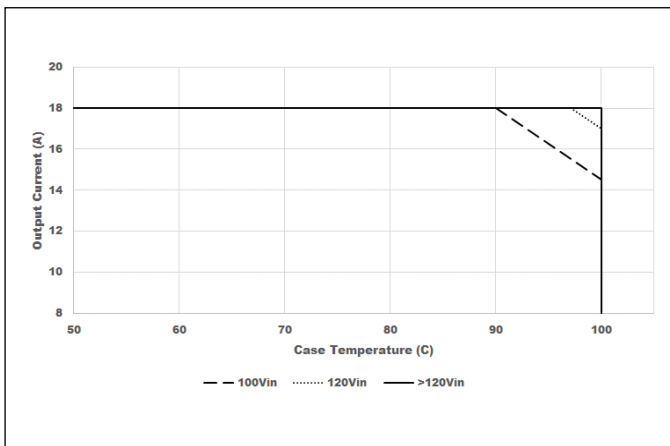
External components required. Refer to the product [Instruction Manual](#) for more detailed information.

(1) Total output power including the auxiliary output

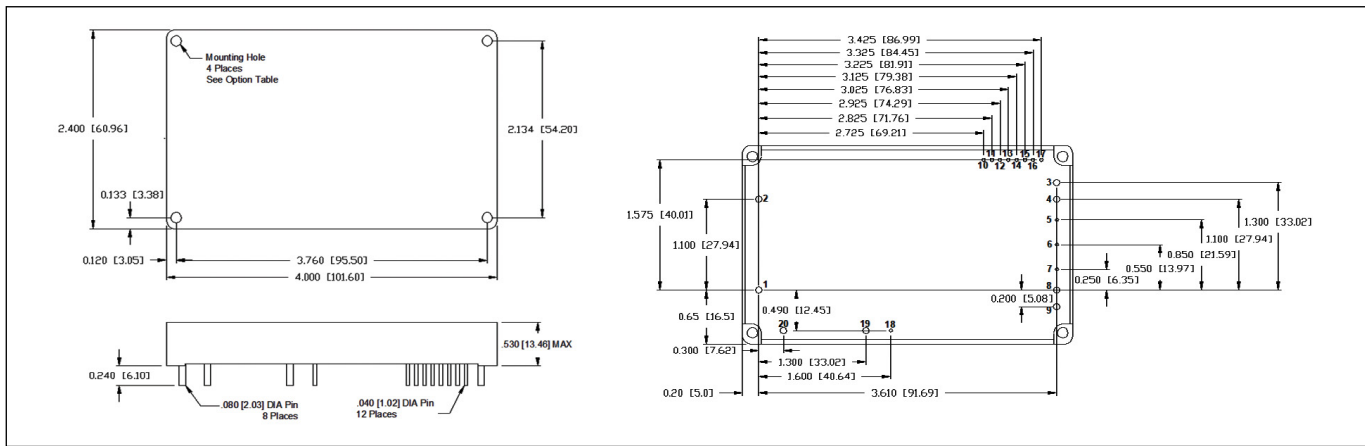
PFH500F Basic Connection Diagram



PFH500F-28 Derating Curve



Mechanical Specification



Pinout

PIN	Function	PIN	Function	PIN	Function	PIN	Function
1	AC Input (Line) or AC (L)	7	Remote Sense (+) or RS (+)	13	PMBus Clock	19	- Boost Voltage Bus or - VBUS
2	AC Input (Neutral) or AC (N)	8	Vout (+)	14	PMBus Data	20	+ Boost Voltage Bus or + VBUS
3	Vout (-)	9	Vout (+)	15	PMBus Alert		
4	VOUT (-)	10	Power Good or PG	16	PMBus Address 2		
5	Remote ON/OFF	11	Secondary Signal GND or SGND	17	PMBus Address 1		
6	TRIM	12	Aux Power Supply or Aux Power	18	Inrush Control or Inrush CTL		



TDK-Lambda France SAS

Tel: +33 1 60 12 71 65
france@fr.tdk-lambda.com
www.emea.lambda.tdk.com/fr



Italy Sales Office

Tel: +39 02 61 29 38 63
info.italia@it.tdk-lambda.com
www.emea.lambda.tdk.com/it



Netherlands

info@nl.tdk-lambda.com
www.emea.lambda.tdk.com/nl



TDK-Lambda Germany GmbH

Tel: +49 7841 666 0
info.germany@de.tdk-lambda.com
www.emea.lambda.tdk.com/de



Austria Sales Office

Tel: +43 2256 655 84
info@at.tdk-lambda.com
www.emea.lambda.tdk.com/at



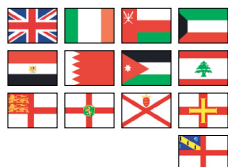
Switzerland Sales Office

Tel: +41 44 850 53 53
info@ch.tdk-lambda.com
www.emea.lambda.tdk.com/ch



Nordic Sales Office

Tel: +45 8853 8086
info@dk.tdk-lambda.com
www.emea.lambda.tdk.com/dk



TDK-Lambda UK Ltd.

Tel: +44 (0) 12 71 85 66 66
powersolutions@uk.tdk-lambda.com
www.emea.lambda.tdk.com/uk



TDK-Lambda Ltd.

Tel: +9 723 902 4333
info@tdk-lambda.co.il
www.emea.lambda.tdk.com/il



C.I.S.

Commercial Support:

Tel: +7 (495) 665 2627

Technical Support:

Tel: +7 (812) 658 0463
info@tdk-lambda.ru
www.emea.lambda.tdk.com/ru



TDK-Lambda Americas

Tel: +1 800-LAMBDA-4 or 1-800-526-2324
powersolutions@us.tdk-lambda.com
www.us.lambda.tdk.com



TDK Electronics do Brasil Ltda

Tel: +55 11 3289-9599
sales.br@tdk-electronics.tdk.com
www.tdk-electronics.tdk.com/en



TDK-Lambda Corporation

Tel: +81-3-6778-1113
www.jp.lambda.tdk.com



TDK-Lambda (China) Electronics Co. Ltd.

Tel: +86 21 6485-0777
powersolutions@cn.tdk-lambda.com
www.lambda.tdk.com.cn



TDK-Lambda Singapore Pte Ltd.

Tel: +65 6251 7211
tis.mkt@sg.tdk-lambda.com
www.sg.lambda.tdk.com



TDK India Private Limited, Power Supply Division

Tel: +91 80 4039-0660
mathew.philip@in.tdk-lambda.com
www.sg.lambda.tdk.com

Ihr Vertriebspartner:



HY-LINE Power Components
Vertriebs GmbH
Inselkammerstr. 10
D-82008 Unterhaching
☎ +49 89/ 614 503 -10
power@hy-line.de

HY-LINE AG
Hochstrasse 355
CH-8200 Schaffhausen
☎ +41 52 647 42 00
info@hy-line.ch

For Additional Information, please visit
<https://product.tdk.com/en/power/>

