

# High Current Power Inductors

## FLAT-PAC™ FP0708 Series



SMD Device

### Description

- 125°C maximum total temperature operation
- 8.5 x 7.0 x 7.2mm surface mount package
- Ferrite core material
- High current carrying capacity
- Low core losses
- Controlled DCR tolerance for sensing circuits
- Inductance range from 72nH to 190nH
- Current range from 37 to 90Amps
- Frequency range up to 2MHz
- RoHS compliant

### Applications

- Multi-phase regulators
- Voltage Regulator Module (VRM)
- Point of load modules
- Servers and workstations
- Data networking and storage systems
- Notebook and desktop computers
- Graphics cards and battery power systems
- DCR sensing



### Environmental Data

- Storage temperature range: -40°C to +125 °C
- Operating temperature range: -40°C to +125°C (Range is application specific)
- Solder reflow temperature: J-STD-020D compliant

### Packaging

- Supplied in tape and reel packaging, 640 parts per reel, 13" dia. reel

### Product Specifications

Part Number	OCL <sup>1</sup> ± 10% (nH)	FLL <sup>2</sup> Min. (nH)	I <sub>rms</sub> <sup>3</sup> (Amps)	I <sub>sat</sub> <sup>14</sup> @ 25°C (Amps)	I <sub>sat</sub> <sup>25</sup> @ 125°C (Amps)	DCR (mΩ) @ 20°C	K-factor <sup>6</sup>
FP0708R1-R07-R	72	52	44	90	72	0.35 ± 8.6%	557
FP0708R1-R09-R	90	64		75	60		557
FP0708R1-R10-R	105	75		68	54		557
FP0708R1-R12-R	120	86		59	47		557
FP0708R1-R15-R	150	108		47	37		557
FP0708R1-R19-R	190	1.5		37	29		557

1 Open Circuit Inductance (OCL) Test Parameters: 100kHz, 0.10V<sub>rms</sub>, 0.0Adc

2 Full Load Inductance (FLL) Test Parameters: 100kHz, 0.1V<sub>rms</sub>, I<sub>sat</sub><sup>1</sup>

3 I<sub>rms</sub>: DC current for an approximate temperature rise of 40°C without core loss. Derating is necessary for AC currents. PCB pad layout, trace thickness and width, air-flow and proximity of other heat generating components will affect the temperature rise. It is recommended the part temperature not exceed 125°C under worst case operating conditions verified in the end application.

4 I<sub>sat</sub><sup>1</sup>: Peak current for approximately 20% rolloff at +25°C.

5 I<sub>sat</sub><sup>25</sup>: Peak current for approximately 20% rolloff at +125°C.

6 K-factor: Used to determine B<sub>p-p</sub> for core loss (see graph). B<sub>p-p</sub> = K \* L \* ΔI \* 10<sup>-3</sup>, B<sub>p-p</sub>: (Gauss), K: (K-factor from table), L: (inductance in nH), ΔI (peak-to-peak ripple current in amps).

7 Part Number Definition: FP0705Rx-Rxx-R

• FP0708 = Product code and size

• Rxx= Inductance value in μH, R = decimal point

• Rx is the DCR indicator

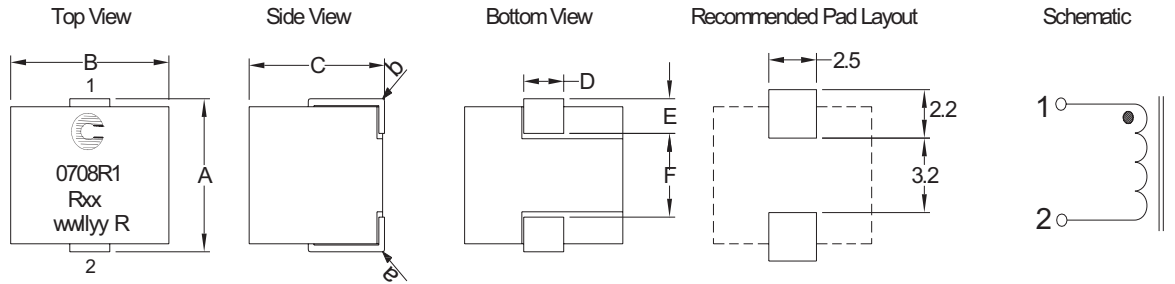
• "-R" suffix = RoHS compliant

Ihr Vertriebspartner:  
**HY-LINE**<sup>®</sup>  
 POWER COMPONENTS

Inselkammerstraße 10  
 D-82008 Unterhaching  
 Tel.: +49 (0)89 614503 10  
 Fax: +49 (0)89 614503 20  
 E-Mail: power@hy-line.de  
 URL: www.hy-line.de

Gründenstrasse 10  
 CH-8247 Flurlingen  
 Tel.: +41 (0)52 647 42 00  
 Fax: +41 (0)52 647 42 01  
 E-Mail: power@hy-line.ch  
 URL: www.hy-line.ch

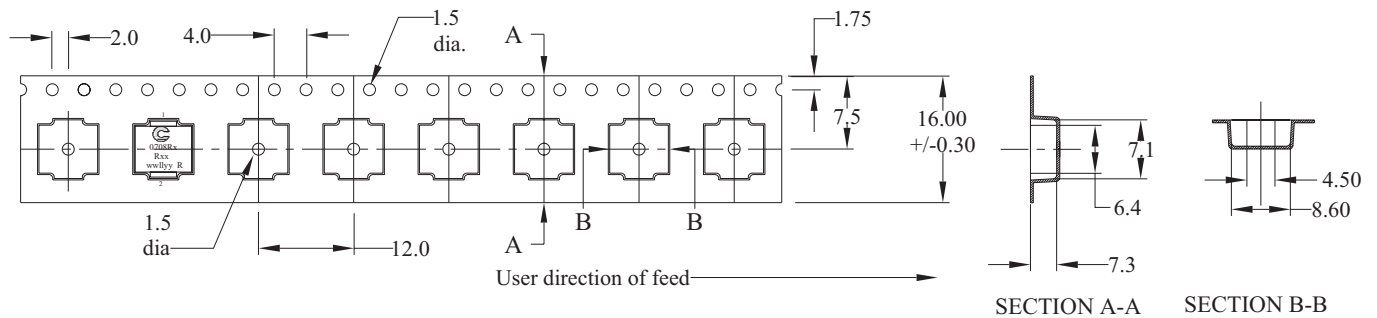
Dimensions - mm      A = 7.0 Max.      B = 8.5 Max.      C = 7.2 Max.      D = 2.1 ± 0.15      E = 1.52 ± 0.2      F = 3.6 Typ.



Nominal DCR is measured from point "a" to point "b."

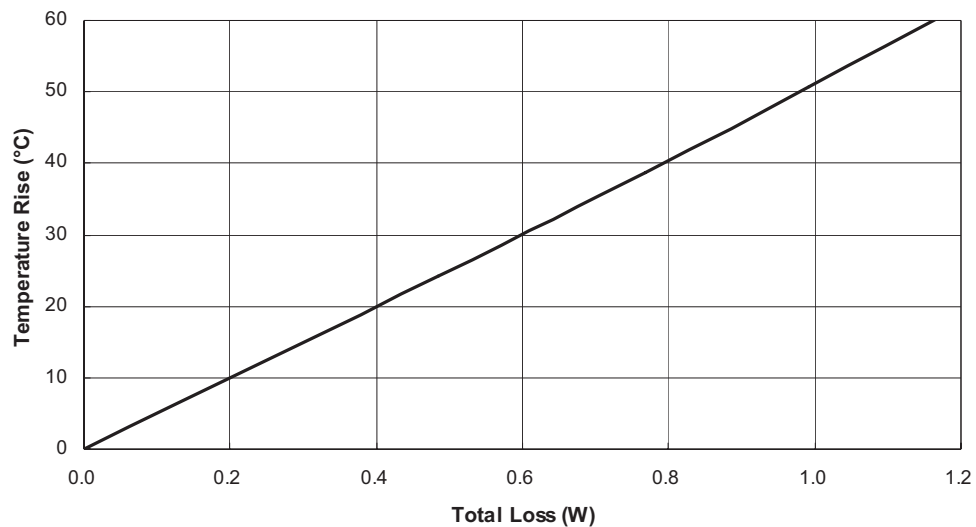
Part Marking: Coiltronics Logo      0705Rx (Rx = DCR inductor)      Rxx = inductance value in  $\mu\text{H}$  (R = decimal point)      wwlly = date code      R = revision level

### Packaging Information - mm

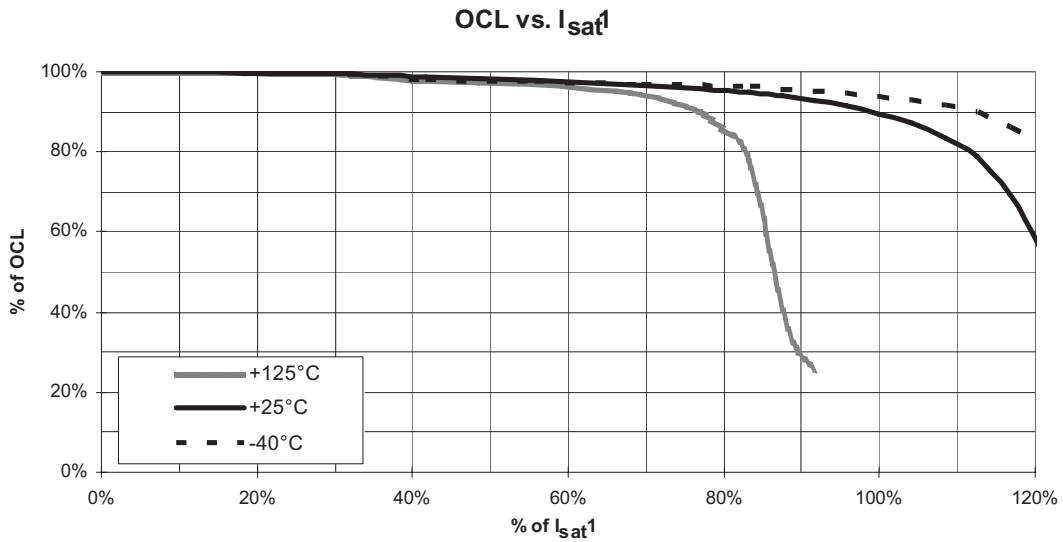


Supplied in tape-and-reel packaging, 640 parts per reel, 13" diameter reel.

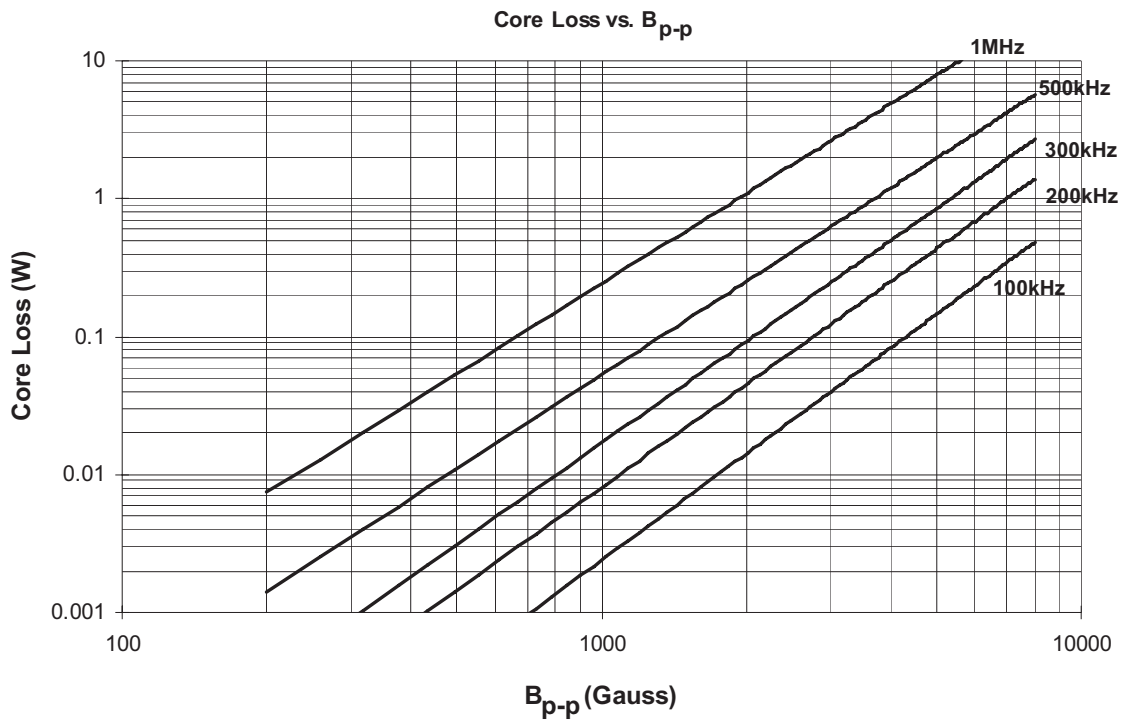
### Temperature Rise vs. Total Loss



## Inductance Characteristics



## Core Loss



## Solder Reflow Profile

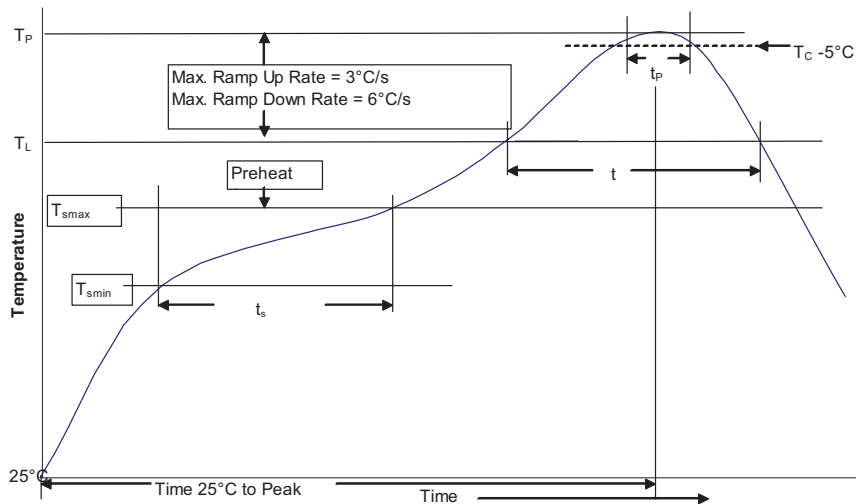


Table 1 - Standard SnPb Solder ( $T_c$ )

Package Thickness	Volume $\text{mm}^3$ <350	Volume $\text{mm}^3$ $\geq 350$
<2.5mm	235°C	220°C
$\geq 2.5\text{mm}$	220°C	220°C

Table 2 - Lead (Pb) Free Solder ( $T_c$ )

Package Thickness	Volume $\text{mm}^3$ <350	Volume $\text{mm}^3$ 350 - 2000	Volume $\text{mm}^3$ >2000
<1.6mm	260°C	260°C	260°C
1.6 - 2.5mm	260°C	250°C	245°C
>2.5mm	250°C	245°C	245°C

## Reference JDEC J-STD-020D

Profile Feature	Standard SnPb Solder	Lead (Pb) Free Solder
Preheat and Soak		
• Temperature min. ( $T_{smin}$ )	100°C	150°C
• Temperature max. ( $T_{smax}$ )	150°C	200°C
• Time ( $T_{smin}$ to $T_{smax}$ ) ( $t_s$ )	60-120 Seconds	60-120 Seconds
Average ramp up rate $T_{smax}$ to $T_p$	3°C/ Second Max.	3°C/ Second Max.
Liquidous temperature ( $T_L$ )	183°C	217°C
Time at liquidous ( $t_L$ )	60-150 Seconds	60-150 Seconds
Peak package body temperature ( $T_p$ )*	Table 1	Table 2
Time ( $t_p$ )** within 5 °C of the specified classification temperature ( $T_c$ )	20 Seconds**	30 Seconds**
Average ramp-down rate ( $T_p$ to $T_{smax}$ )	6°C/ Second Max.	6°C/ Second Max.
Time 25°C to Peak Temperature	6 Minutes Max.	8 Minutes Max.

\* Tolerance for peak profile temperature ( $T_p$ ) is defined as a supplier minimum and a user maximum.

\*\* Tolerance for time at peak profile temperature ( $t_p$ ) is defined as a supplier minimum and a user maximum.

### North America

Cooper Electronic Technologies  
1225 Broken Sound Parkway NW  
Suite F  
Boca Raton, FL 33487-3533  
Tel: 1-561-998-4100  
Fax: 1-561-241-6640  
Toll Free: 1-888-414-2645

Cooper Bussmann  
P.O. Box 14460  
St. Louis, MO 63178-4460  
Tel: 1-636-394-2877  
Fax: 1-636-527-1607

### Europe

Cooper Electronic Technologies  
Cooper (UK) Limited  
Burton-on-the-Wolds  
Leicestershire • LE12 5TH UK  
Tel: +44 (0) 1509 882 737  
Fax: +44 (0) 1509 882 786

Cooper Electronic Technologies  
Avda. Santa Eulalia, 290  
08223  
Terrassa, (Barcelona), Spain  
Tel: +34 937 362 812  
+34 937 362 813  
Fax: +34 937 362 719

### Asia Pacific

Cooper Electronic Technologies  
1 Jalan Kilang Timor  
#06-01 Pacific Tech Centre  
Singapore 159303  
Tel: +65 278 6151  
Fax: +65 270 4160

The only controlled copy of this Data Sheet is the electronic read-only version located on the Cooper Bussmann Network Drive. All other copies of this document are by definition uncontrolled. This bulletin is intended to clearly present comprehensive product data and provide technical information that will help the end user with design applications. Cooper Bussmann reserves the right, without notice, to change design or construction of any products and to discontinue or limit distribution of any products. Cooper Bussmann also reserves the right to change or update, without notice, any technical information contained in this bulletin. Once a product has been selected, it should be tested by the user in all possible applications.

Life Support Policy: Cooper Bussmann does not authorize the use of any of its products for use in life support devices or systems without the express written approval of an officer of the Company. Life support systems are devices which support or sustain life, and whose failure to perform, when properly used in accordance with instructions for use provided in the labeling, can be reasonably expected to result in significant injury to the user.