

Introduction

TRM-500 equipped with HF RFID TRH033M-S is a multi-protocol reader module. TRM-500 supports protocols such as ISO14443A/B, ISO15693, FELICA

Features

- Supports Protocol – ISO14443A, ISO14443B, ISO15693, FELICA
- 13.56MHz Reader module
- Based on the TRH033M-S
- Microcontroller with 8k byte Flash, 1K byte SRAM, 512byte EEPROM
- Separated antenna with board
- RS-232(TTL level) Serial interface
- 1 LED indicators

Application

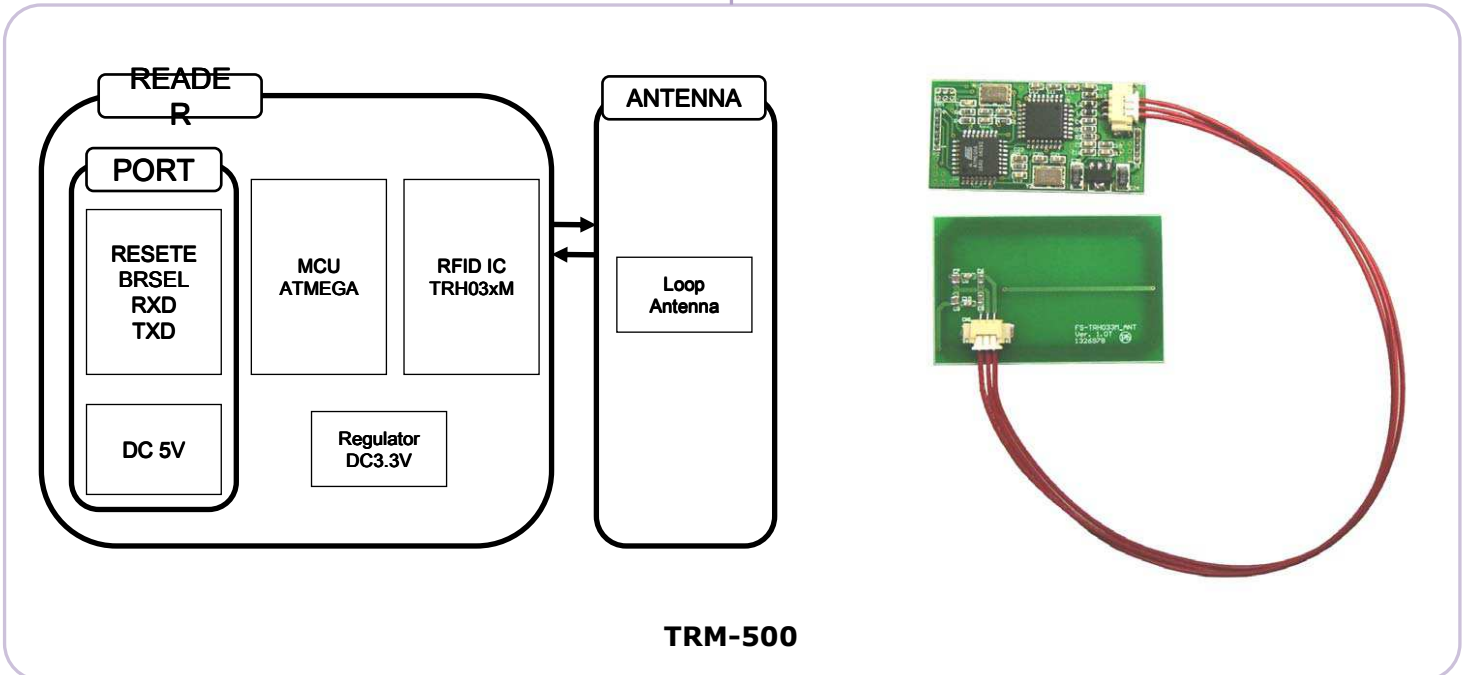
- Access control System
- Factory automation, Supply Chain Management
- Asset Management
- Pallet & Case Tracking
- Hands Free Application

Specification

| Parameter | Description |
|-----------------------|-----------------------------------|
| Product name | TRM-500 |
| Size(mm) | READER : 39X20 ANTENNA : 42X27 |
| Support Standards | ISO14443 A/B, ISO15693, FELICA |
| DC Power | 5V DC |
| Interface | RS232(TTL level) |
| Operating range | Up to 70mm |
| Operating temperature | -20°C ~ 65°C |

Product component

- Reader Board
- Loop Antenna Board
- Antenna Cable(200mm)



Legal Disclaimer

3ALogics shall not be liable for the incidental or consequential losses of damage to tangible property and injury in connection with the use of this device. Although the examples in this guide have been tested with care, they may contain errors and they are not guaranteed for any particular purpose. 3ALogics reserves rights to change any contents to this documents at anytime without any prior notice.

Contact

3ALogics Inc.
7th Fl., Hyundai-office Bldg.,
9-4, Sunae-dong, Bundang-gu, Seongnam-si,
Gyeonggi-do, 463-783 Korea
TEL : (82)-(31)-715-7117
FAX : (82)-(31)-719-7551
E-mail : rfid@3ALogics.com
Homepage: <http://www.3ALogics.com>