

**Introduction**

TRM-700 equipped with HF RFID TRH033M-S is a multi-protocol reader module. TRM-500 supports protocols such as ISO14443A/B, ISO15693, FELICA

**Features**

- Supports Protocol – ISO14443A, ISO14443B, ISO15693, FELICA
- 13.56MHz Reader module
- Based on the TRH033M-S
- Microcontroller with 8k byte Flash, 1K byte SRAM, 512byte EEPROM
- Separated antenna with board
- RS-232(TTL level) Serial interface
- 1 LED indicators

**Application**

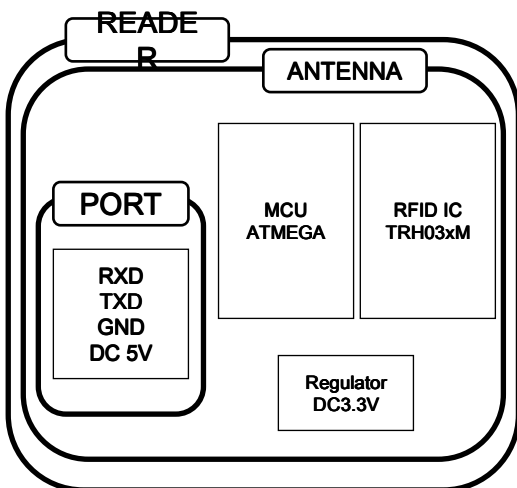
- Access control System
- Factory automation, Supply Chain Management
- Asset Management
- Pallet & Case Tracking
- Hands Free Application

**Specification**

Parameter	Description
Product name	TRM-700
Size(mm)	READER(Antenna) : 50X30
Support Standards	ISO14443 A/B, ISO15693, FELICA
DC Power	5V DC
Interface	RS232(TTL level)
Operating range	Up to 70mm
Operating temperature	-20°C ~ 65°C

**Product component**

- Reader Board(Embedded loop antenna)



**TRM-700**

**Legal Disclaimer**

3ALogics shall not be liable for the incidental or consequential losses of damage to tangible property and injury in connection with the use of this device. Although the examples in this guide have been tested with care, they may contain errors and they are not guaranteed for any particular purpose. 3ALogics reserves rights to change any contents to this documents at anytime without any prior notice.

**Contact**

3ALogics Inc.  
 7th Fl., Hyundai-office Bldg.,  
 9-4, Sunae-dong, Bundang-gu, Seongnam-si,  
 Gyeonggi-do, 463-783 Korea  
 TEL : (82)-(31)-715-7117  
 FAX : (82)-(31)-719-7551  
 E-mail : rfid@3ALogics.com  
 Homepage: <http://www.3ALogics.com>