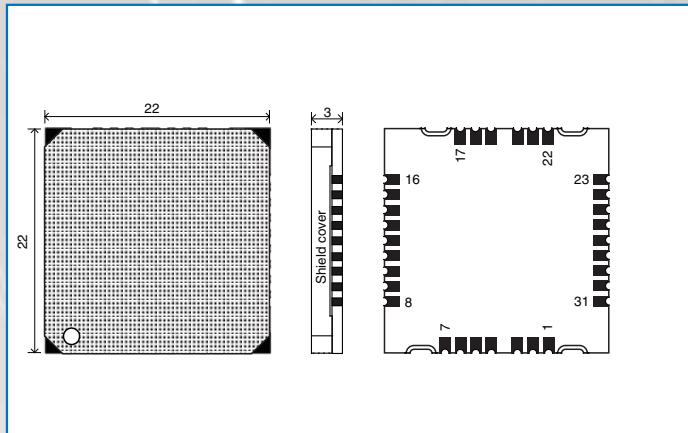


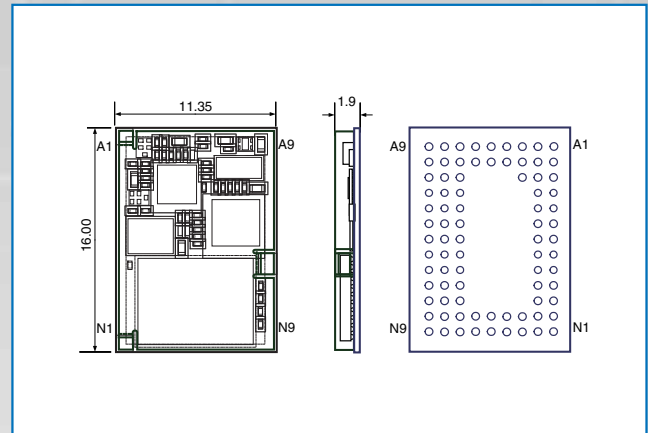
Specifications commonly applicable to all 84 Series

Receiving frequency		1575.42MHz±1MHz
Receiving code		C/A code
Number of channels	While acquiring	32 channels
	While tracking	12 channels
Receiving sensitivity	Cold start	-145dBm
	Tracking	-160dBm
Time to first fix	Hot start	2 seconds
	Warm start	33 seconds
	Cold start	38seconds
Interface		3.3V C-MOS
Baud rate		9600 bps
Communication protocol	GN-84A, GN-84E, GH-84	NMEA or Furuno binary
	GT-84	NMEA only
Data update rate		Every second
1PPS output		Synchronized with UTC
Power supply voltage		3.3VDC±0.3VDC(1V±0.1V can be supplied externally)
Operation temperature		-30°C to 85°C

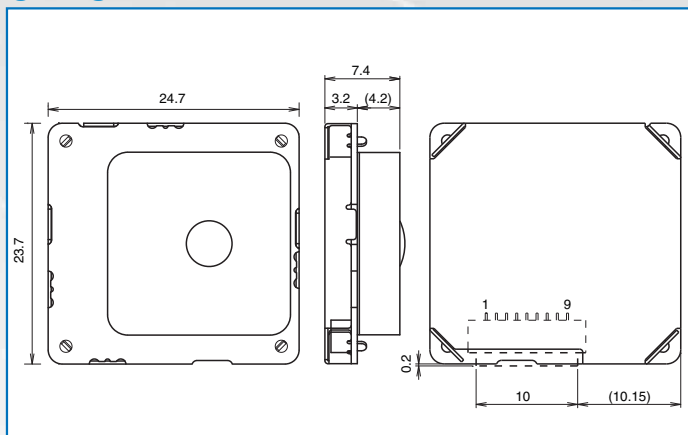
GN-84A/GT-84



GN-84E



GH-84



84 Series Evaluation kit



The specifications herein may be subject to change without prior notice.



FURUNO ELECTRIC CO., LTD.

2-20 Nishinomiya-hama, Nishinomiya, 662-0934, Japan
Phone: +81 (0)798 33-7555 Fax: +81 (0)798 33-7511

www.furuno.co.jp