



HÖFT & WESSEL

DECT transceiver module HW 86010: The optimum embedded wireless solution



HW 86010 – Embedded DECT module

The DECT module HW 86010 is a highly versatile and powerful engine for embedded DECT applications. The architecture of the HW 86010 supplies a full set of useful features for voice and data services in various environments.

The module performs the complete radio and baseband processing of DECT signals including error-correcting data link protocols. It can be used in point-to-point and network applications.

Interfaces include RS-232 for serial data, PCM connection (IOM-2 style) or analogue for voice, I²C and analogue input/output. General purpose digital I/Os and a bus interface make the HW 86010 easily expandable.

Optimally suited for data transmission the HW 86010 offers reliable data channels up to 115.2 Kbd.

**DECT –
The ideal wireless technology**
DECT (Digital Enhanced Cordless Telecommunications) is a highly successful wireless technology. The open DECT standard is accepted in more than 100 countries world-wide. DECT offers competitive advantages for voice and data transmission.

- Exclusive frequency bands eliminate interference
- Each connection owns a guaranteed air capacity

- DECT is free of collisions and congestions
- Co-located DECT systems work together
- Systems are scalable to multi-cell networks

Höft & Wessel – Competent in DECT

Höft & Wessel has been a pioneer in wireless data transmission over DECT and is technology leader in that market. Skilled system engineers continually upgrade and customise the Höft & Wessel communication products for your benefit.

KEY ADVANTAGES

- High speed data transmission paired with low power consumption
- Very small footprint for easy integration
- Versatile interfaces for all sorts of data and voice applications
- Suited for point-to-multipoint
- Prepared for voice services
- Prepared for the future through simple firmware upgrades

TYPICAL APPLICATIONS

- Wireless internet access
- Radio networks
- Mobile data acquisition
- Automation and industrial control

Benefits of a modular concept

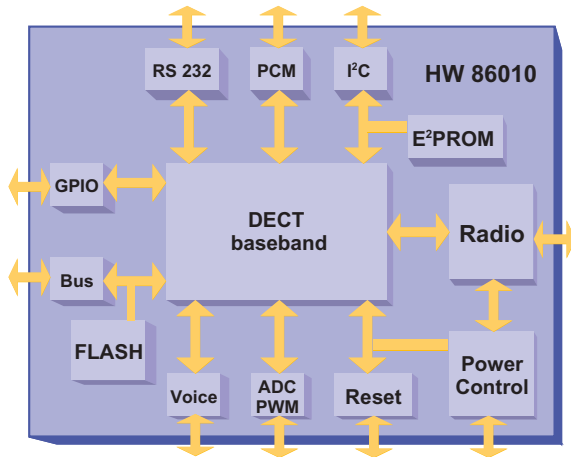
All radio products from Höft & Wessel are based on a modular concept with outstanding advantages.

- Standard modules give best value at lowest price because of volume production

- No initial development costs because of ready-to-use functionality
- Change between DECT and FHSS standards just by plugging-in a different module
- Shorter development cycle, means early time-to-market

Chose from a family of modules the optimum solution for your requirements. All modules are interface compatible and interoperable to equipment following the same radio standard. All radio functions are perfectly encapsulated for the benefit of a much simpler overall design.

INTERNAL ARCHITECTURE



TECHNICAL DATA

Dimensions:	approx. 52 mm x 37 mm x 8 mm
Weight:	30 g
Temperature range:	-10 to 55 °C
Interface:	50-pin system interface
Operating voltage:	3.0 V to 3.6 V for digital part 3.3 V to 4.7 V for radio frequency part
Current consumption:	100 mA at 3.3 V average
Data interface:	RS-232, 3.3V, up to 115.2 Kbd, RTS/CTS Handshake
Modem lead signals:	DTR/DSR, DCD, RI
I/O interface:	8 general purpose I/O pins
Analogue interface:	Microphone, speaker, ringer
Other interfaces:	PCM, I²C, bus interface
Data rate:	max. 115,2 Kbd, protected (Data Services DSP C.2)
Standards:	EN 300 175 (DECT Common Interface), ETC 300 435 (Data Services DSP A.1 and B.1), ETS 300 651 (Data Services DSP C.2), ETS 300 329 (EMC for DECT equipment)
Conformity:	DECT CTR 6