

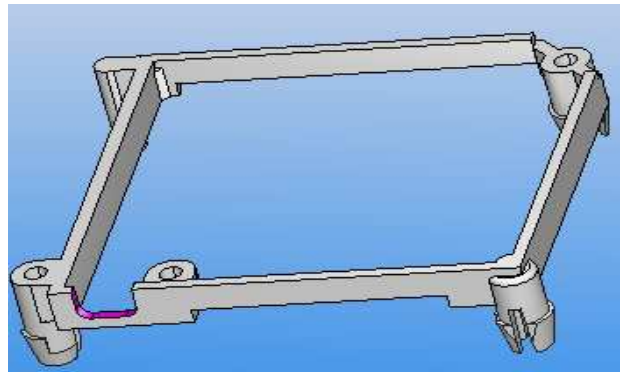
Rev.: B

Mounting Clip for CINTERION "i"-Type Modules

Date	Author	Content / Changes
10.03.09	HS	Creation of document

1. Key Feature

The new mounting clip **MCi** has been designed for easy use of Cinterions TC63i, TC65i and MC75i modules at existing none "i" PCBs. As the outer dimensions stay the same as with the old style ones, there is no need for time and money wasting redesigns. So don't wait to upgrade your existing design with the latest technology!



2. Mechanical specifications

- Material: acrylic
- Colour: black
- Weight: 2 g
- Temperature range: -40° to 100°C

