

TFT-Display Datenblatt

Modell PD057VUB

Kurzdaten

Hersteller	E Ink / PrimeView
Diagonale	5,7" / 14,5 cm
Format	4:3
Auflösung	320 x 240
Backlight	LED / 400 cd/m ²
Interface	TTL
Touchscreen	ja
Temperatur	-30...+80°C (Betrieb)

Version: 2.0

TECHNICAL SPECIFICATION
MODEL NO.: PD057VUB



Inselkammerstr. 10
82008 Unterhaching
Tel: +49 89 614 503 40
www.hy-line.de/computer

By _____



Confirmed By _____



Prepared By _____

Revision History

Rev.	Issued Date	Eng.	Revised Contents																																		
0.1	Jul. 08, 2008	吳昌霖	Preliminary																																		
0.2	Sep. 09, 2008	吳昌霖	Add Mechanical Drawing																																		
0.3	Oct. 31, 2008	吳昌霖	Add weight = 244±10g Modify 4. mechanical drawing Add LED voltage(max.) = 24.5V Add LED power consumption(max.) = 1470mW Add total power consumption(max.) = 1.72W																																		
1.0	Nov. 18, 2008	吳昌霖	New																																		
2.0	Jun 23, 2010	吳昌霖	Modify 6-2) Electrical Performance Before : <table border="1" style="width: 100%; border-collapse: collapse;"> <thead> <tr> <th>Parameters</th> <th>Symbol</th> <th>MIN.</th> <th>Typ.</th> <th>MAX.</th> <th>Unit</th> <th>Remark</th> </tr> </thead> <tbody> <tr> <td rowspan="2">Terminal Resistance</td> <td>X</td> <td>400</td> <td>550</td> <td>810</td> <td>Ω</td> <td></td> </tr> <tr> <td>Y</td> <td>280</td> <td>320</td> <td>540</td> <td>Ω</td> <td></td> </tr> </tbody> </table> After : <table border="1" style="width: 100%; border-collapse: collapse;"> <thead> <tr> <th>Parameters</th> <th>Symbol</th> <th>Specification</th> <th>Unit</th> <th>Remark</th> </tr> </thead> <tbody> <tr> <td rowspan="2">Circuit Resistance</td> <td>X</td> <td>420 ~ 870</td> <td>Ω</td> <td>At connector</td> </tr> <tr> <td>Y</td> <td>310 ~ 700</td> <td>Ω</td> <td>At connector</td> </tr> </tbody> </table>	Parameters	Symbol	MIN.	Typ.	MAX.	Unit	Remark	Terminal Resistance	X	400	550	810	Ω		Y	280	320	540	Ω		Parameters	Symbol	Specification	Unit	Remark	Circuit Resistance	X	420 ~ 870	Ω	At connector	Y	310 ~ 700	Ω	At connector
Parameters	Symbol	MIN.	Typ.	MAX.	Unit	Remark																															
Terminal Resistance	X	400	550	810	Ω																																
	Y	280	320	540	Ω																																
Parameters	Symbol	Specification	Unit	Remark																																	
Circuit Resistance	X	420 ~ 870	Ω	At connector																																	
	Y	310 ~ 700	Ω	At connector																																	

TECHNICAL SPECIFICATION

CONTENTS

NO.	ITEM	PAGE
-	Cover	1
-	Contents	2
-	Revision History	3
1	Application	4
2	Features	4
3	Mechanical Specifications	4
4	Mechanical Drawing of TFT-LCD module	5
5	Input / Output Terminals	6
6	Touch Panel Characteristics	7
7	Absolute Maximum Ratings	9
8	Electrical Characteristics	9
9	Pixel Arrangement	10
10	Display Color and Gray Scale Reference	11
11	Interface Timing	12
12	Power On Sequence	15
13	Optical Characteristics	15
14	Handling Cautions	18
15	Reliability Test	19
16	Packing Diagram	20

1. Application

This data sheet applies to a color TFT LCD module, PD057VUB.
 PD057VUB module applies to OA product, car TV (must use Analog to Digital driving board), which requires high quality flat panel display. If you must use in severe reliability environment, please don't extend over PVI's reliability test conditions.

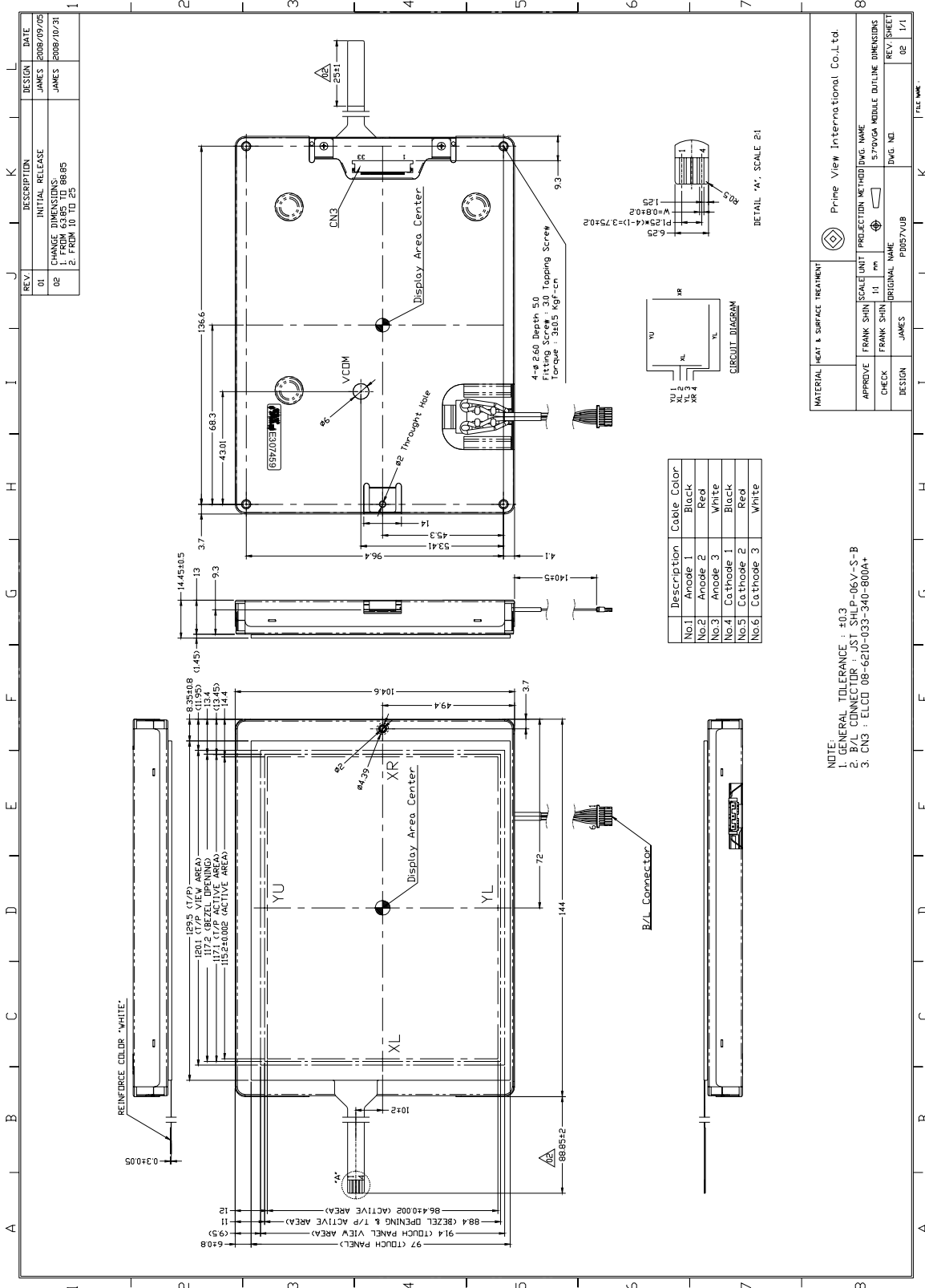
2. Features

- . QVGA (320*240 pixels) resolution
- . Module with resistive type touch panel
- . Amorphous silicon TFT LCD panel with LED
- . Pixel in stripe configuration
- . Thin and light weight
- . Display Colors : 262,144 colors
- . TTL interface

3. Mechanical Specifications

Parameter	Specifications	Unit
Screen Size	5.7 (diagonal)	inch
Display Format	320×(R,G,B)×240	dot
Display Colors	262,144	
Active Area	115.20 (H)×86.4 (V)	mm
Pixel Pitch	0.36(H)×0.36(V)	mm
Pixel Configuration	Stripe	
Outline Dimension	144(W)×104.6 (H)×14.45 (D) (typ.)	mm
Weight	244±10	g
Back-light	21-LED	
Surface treatment	Anti-glare + EWV	
Display mode	Normally white	
Surface treatment of Touch Panel	3H	
Gray scale inversion direction	6 o'clock [ref to Note 13-1]	

4.Mechanical Drawing of TFT-LCD Module



The information contained herein is the exclusive property of Prime View International Co., Ltd. and shall not be distributed, reproduced, or disclosed in whole or in part without prior written permission of Prime View International Co., Ltd.

5.Input / Output Terminals

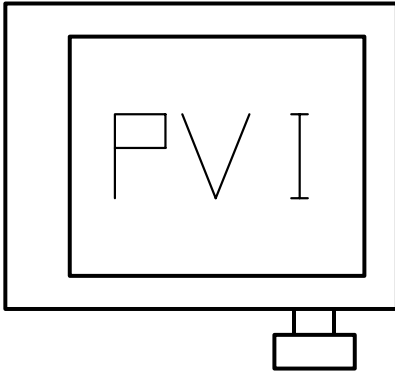
5-1) TFT-LCD Panel Driving

Connector type: ELCO 08-6210-033-340-800A+, PIN No 33 pins

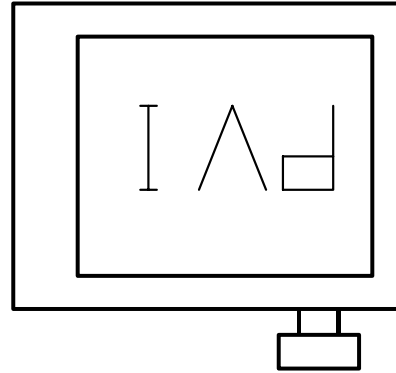
Pin No	Symbol	I/O	Description	Remark
1	GND	-	GND	
2	CK	I	Clock signal for sampling each data signal	
3	Hsync	I	Horizontal synchronous signal(neqative)	
4	Vsync	I	Vertical synchronous signal(neqative)	
5	GND	-	GND	
6	R0		RED data signal(LSB)	
7	R1	I	RED data signal	
8	R2	I	RED data signal	
9	R3	I	RED data signal	
10	R4	I	RED data signal	
11	R5	I	RED data signal(MSB)	
12	GND	-	GND	
13	G0	I	GREEN data signal(LSB)	
14	G1	I	GREEN data signal	
15	G2	I	GREEN data signal	
16	G3	I	GREEN data signal	
17	G4	I	GREEN data signal	
18	G5	I	GREEN data signal(MSB)	
19	GND	-	GND	
20	B0	I	Blue data signal(LSB)	
21	B1	I	Blue data signal	
22	B2	I	Blue data signal	
23	B3	I	Blue data signal	
24	B4	I	Blue data signal	
25	B5	I	Blue data signal(MSB)	
26	GND	-	GND	
27	ENAB	I	Signal to settle the horizontal display position(positive)	Note5-1
28	V _{CC}	-	+3.3V power supply	
29	V _{CC}	-	+3.3V power supply	
30	R/L	I	Horizontal display mode select signal L : Normal ,H : Left /Right reverse mode	Note5-2
31	U/D	I	Vertical display mode select signal H : Normal ,L :Up/Down reverse mode	Note5-3
32	V/Q	I	VGA / QVGA mode select signal	Note11-2
33	GND	-	GND	

Note5-1 : The horizontal display start timing is settled in accordance with rising of ENAB signal.
In case ENAB is fixed "Low", the horizontal start timing is determined as described in 10-2. Don't keep ENAB "High" during operation.

Note 5-2 , 5-3 : The definitions of U/D & R/L



R/L(PIN 30)= Low, U/D(PIN 31)= High



R/L(PIN 30)= High , U/D(PIN 31)= Low

5-2) LED Backlight driving

Connector type : MOLEX 51021-0400

Pin No	Symbol	Description	Remark
1	+	Input terminal (Anode)	Wire Color : Black
2	-	Input terminal (Cathode))	Wire Color : Red
3	+	Input terminal (Anode)	Wire Color : White
4	-	Input terminal (Cathode))	Wire Color : Black
5	+	Input terminal (Anode)	Wire Color : Red
6	-	Input terminal (Cathode))	Wire Color : White

6.Touch Panel Characteristics

6-1) Pin assignment :

Pin No.	Designation	Remark
1	YU (Bottom)	
2	XL (Top)	
3	YL (Bottom)	
4	XR (Top)	

6-2) Electrical Performance :

Parameters	Symbol	Specification			Unit	Remark
Circuit Resistance	X	420 ~ 870			Ω	At connector
	Y	310 ~ 700			Ω	At connector
Input Voltage	V_T	-	5	7	V	
Linearity (X ,Y direction)		-	-	± 1.5	%	
Insulation Impedance		20	-	-	M Ω	DC 25V
Response Time		-	-	15	ms	
Operation Force		-	-	50	g	Note 6-1

Note 6-1 : Input through R0.8mm stylus or R8.0mm finger.

6-3) Durability Performance

1. Hitting Durability:

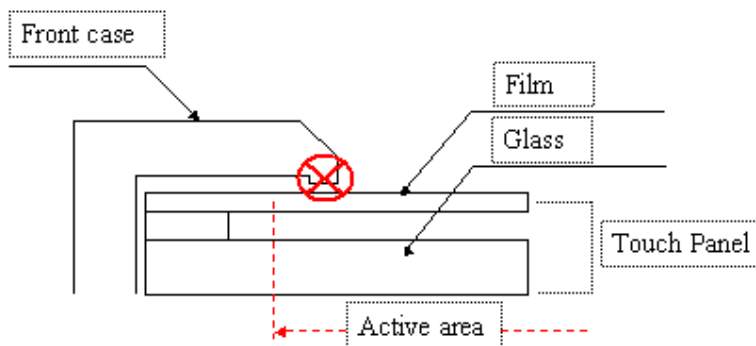
At least 1,000,000 times with R8.0mm silicon rubber, 250g, 3 times/sec.

2. Sliding Durability:

At least 1,00,000 times with R0.8mm polyacetal stylus, 250g, 60 mm/sec.

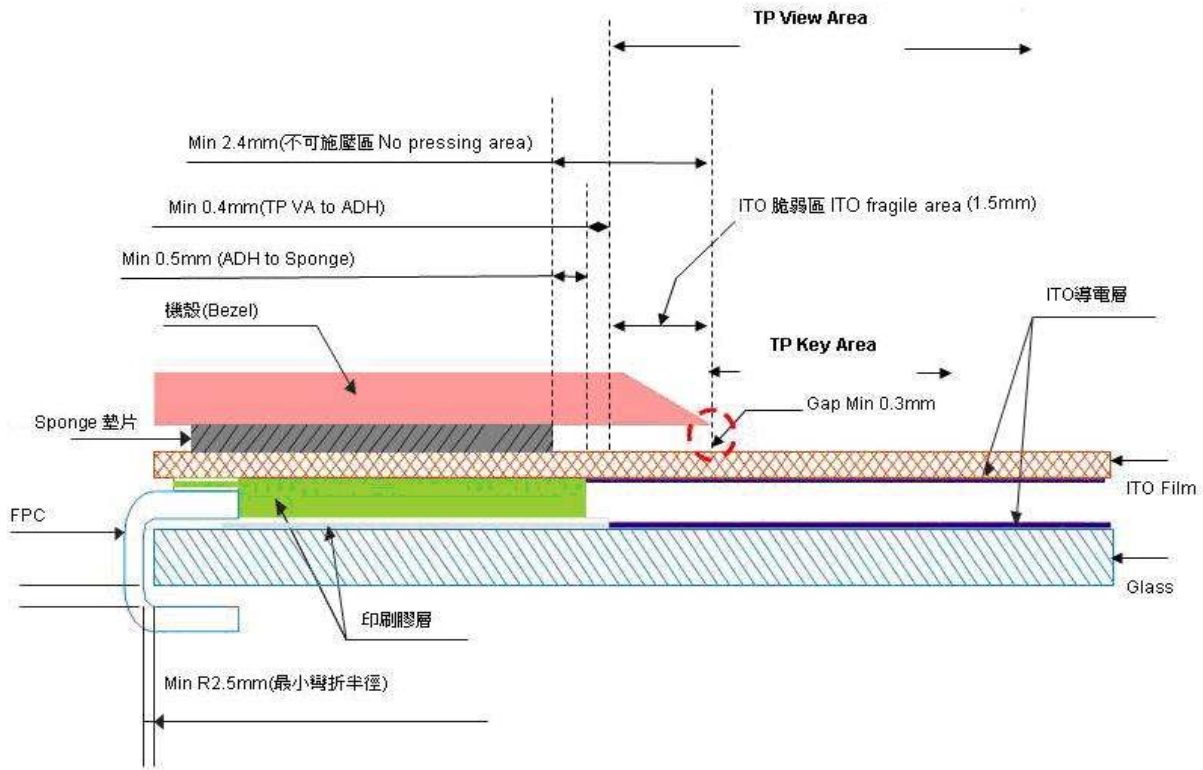
6-4) Integration Design Guide

Avoid the design that Front-case overlap and press on the active area of the touch-panel.
Give enough gap (over 0.5mm at compressed) between the front case and touch-panel to protect wrong operating.



Use a buffer material (Gasket) between the touch-panel and front-case to protect damage and wrong operating.

Avoid the design that buffer material overlap and press on the inside of touch-panel viewing area.



Note 6-2: We strongly suggest to follow above design guide to avoid the linear defect happened on the touch panel.

7. Absolute Maximum Ratings:

GND=0V, Ta=25°C

Parameters	Symbol	Condition	MAX.	Unit	Remark
Input Voltage	V_I	Ta=25°C	-0.3~+4	V	Note7-1
+3.3V supply voltage	V_{CC}	Ta=25°C	0~+3.6	V	

Note7-1: CK, R0~R5, G0~G5, B0~B5, Hsync, Vsync, ENAB, R/L, U/D, V/Q

8. Electrical Characteristics

8-1) Recommended Operating Conditions:

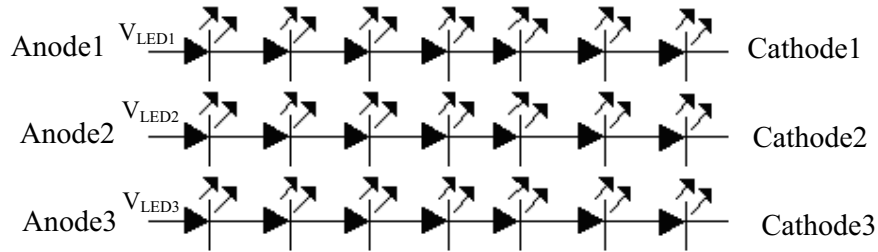
GND=0V, Ta=25°C

Item	Symbol	Min.	Typ.	Max.	Unit	Remark
+3.3V Supply Voltage	V_{CC}	+3.0	+3.3	+3.6	V	
Permissive input ripple voltage	V_{RF}	-	-	100	mVp-p	$V_{CC}=3.3V$
Input voltage (Low)	V_{IL}	0	-	0.3 V_{CC}	V	
Input voltage (High)	V_{IH}	0.7 V_{CC}	-	V_{CC}	V	

8-2) Recommended Driving Condition for LED Back Light

 $T_a=25^{\circ}\text{C}$

Parameter	Symbol	Min.	Typ.	Max.	Unit	Remark
LED voltage	V_{LED}	-	-	(24.5)	V	$I_L=20\text{mA}$
LED current	I_{LED}	-	20	-	mA	Note 8-1
Back Light Power Consumption	P_{LED}	-	-	1470	mW	Note 8-2



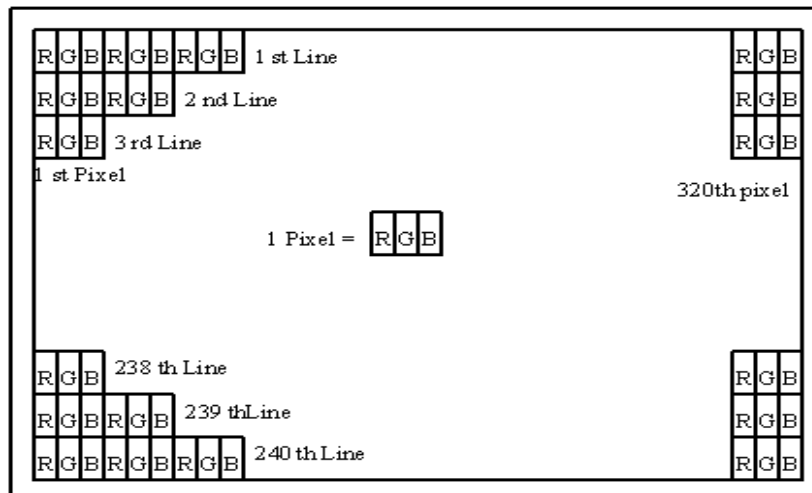
8-3) Power Consumption

Parameters	Symbol	Typ.	Max.	Unit	Remark
+3.3V Current Dissipation	I_{CC}	67	75	mA	
LCD Panel Power Consumption	-	0.22	0.25	W	Note 8-3
Total Power Consumption	-	-	1.72	W	

Note 8-3: The power consumption for back light is not included.

9. Pixel Arrangement

The LCD module pixel arrangement is stripe configuration.



10. Display Color and Gray Scale Reference

Color		Input Color Data																	
		Red						Green						Blue					
		R5	R4	R3	R2	R1	R0	G5	G4	G3	G2	G1	G0	B5	B4	B3	B2	B1	B0
Basic Colors	Black	0	0	0	0	0	0	0	0	0	0	0	0	0	0	0	0	0	0
	Red (63)	1	1	1	1	1	1	0	0	0	0	0	0	0	0	0	0	0	0
	Green (63)	0	0	0	0	0	0	1	1	1	1	1	1	0	0	0	0	0	0
	Blue (63)	0	0	0	0	0	0	0	0	0	0	0	0	1	1	1	1	1	1
	Cyan	0	0	0	0	0	0	1	1	1	1	1	1	1	1	1	1	1	1
	Magenta	1	1	1	1	1	1	0	0	0	0	0	0	1	1	1	1	1	1
	Yellow	1	1	1	1	1	1	1	1	1	1	1	1	0	0	0	0	0	0
	White	1	1	1	1	1	1	1	1	1	1	1	1	1	1	1	1	1	1
Red	Red (00)	0	0	0	0	0	0	0	0	0	0	0	0	0	0	0	0	0	0
	Red (01)	0	0	0	0	0	1	0	0	0	0	0	0	0	0	0	0	0	0
	Red (02)	0	0	0	0	1	0	0	0	0	0	0	0	0	0	0	0	0	0
	Darker																		
	↓	↓	↓	↓	↓	↓	↓	↓	↓	↓	↓	↓	↓	↓	↓	↓	↓	↓	↓
	Brighter																		
	Red (61)	1	1	1	1	0	1	0	0	0	0	0	0	0	0	0	0	0	0
	Red (62)	1	1	1	1	1	0	0	0	0	0	0	0	0	0	0	0	0	0
	Red (63)	1	1	1	1	1	1	0	0	0	0	0	0	0	0	0	0	0	0
Green	Green (00)	0	0	0	0	0	0	0	0	0	0	0	0	0	0	0	0	0	0
	Green (01)	0	0	0	0	0	0	0	0	0	0	0	1	0	0	0	0	0	0
	Green (02)	0	0	0	0	0	0	0	0	0	0	1	0	0	0	0	0	0	0
	Darker																		
	↓	↓	↓	↓	↓	↓	↓	↓	↓	↓	↓	↓	↓	↓	↓	↓	↓	↓	↓
	Brighter																		
	Green (61)	0	0	0	0	0	0	1	1	1	1	0	1	0	0	0	0	0	0
	Green (62)	0	0	0	0	0	0	1	1	1	1	1	0	0	0	0	0	0	0
	Green (63)	0	0	0	0	0	0	1	1	1	1	1	1	0	0	0	0	0	0
Blue	Blue (00)	0	0	0	0	0	0	0	0	0	0	0	0	0	0	0	0	0	0
	Blue (01)	0	0	0	0	0	0	0	0	0	0	0	0	0	0	0	0	0	1
	Blue (02)	0	0	0	0	0	0	0	0	0	0	0	0	0	0	0	0	1	0
	Darker																		
	↓	↓	↓	↓	↓	↓	↓	↓	↓	↓	↓	↓	↓	↓	↓	↓	↓	↓	↓
	Brighter																		
	Blue (61)	0	0	0	0	0	0	0	0	0	0	0	0	1	1	1	1	0	1
	Blue (62)	0	0	0	0	0	0	0	0	0	0	0	0	1	1	1	1	1	0
	Blue (63)	0	0	0	0	0	0	0	0	0	0	0	0	1	1	1	1	1	1

11. Interface Timing

11-1) Timing Parameters

AC Electrical Characteristics ($V_{CC} = +3.3V, GND = 0V, T_a = 25^\circ C$)

Characteristics		Symbol	Min.	Typ.	Max.	Unit	Remark
Clock	Frequency	1/Tc	-	25.18	28.33	MHz	V/Q=H
			-	6.3	7.0	MHz	V/Q=L
	Duty ratio	Tch/Tc	40	50	60	%	V/Q=L
Data	Set up time	Tds	5	-	-	ns	
	Hold time	Tdh	10	-	-		
Horizontal sync. signal	Cycle	TH	30.0	31.8	-	us	V/Q=H
			700	800	900	clock	
		TH	50.0	63.6	-	us	V/Q=L
			360	400	450	clock	
	Pulse width	THp	2	96	200	clock	
Vertical sync. signal	Cycle	TV	515	525	560	line	V/Q=H
		TV	251	262	280		V/Q=L
	Pulse width	TVp	2	-	34	line	
Horizontal display period		THd	320			clock	
Hsync.-Clock phase difference		THc	10	-	Tc-10	ns	
Hsync.-Vsync. phase difference		TVh	0	-	TH-THp	ns	
Vertical sync. signal start position		TVs	34			line	V/Q=H
			7				V/Q=L

Note11-1 : In case of lower frequency, the deterioration of the display quality, flicker etc., may occur.

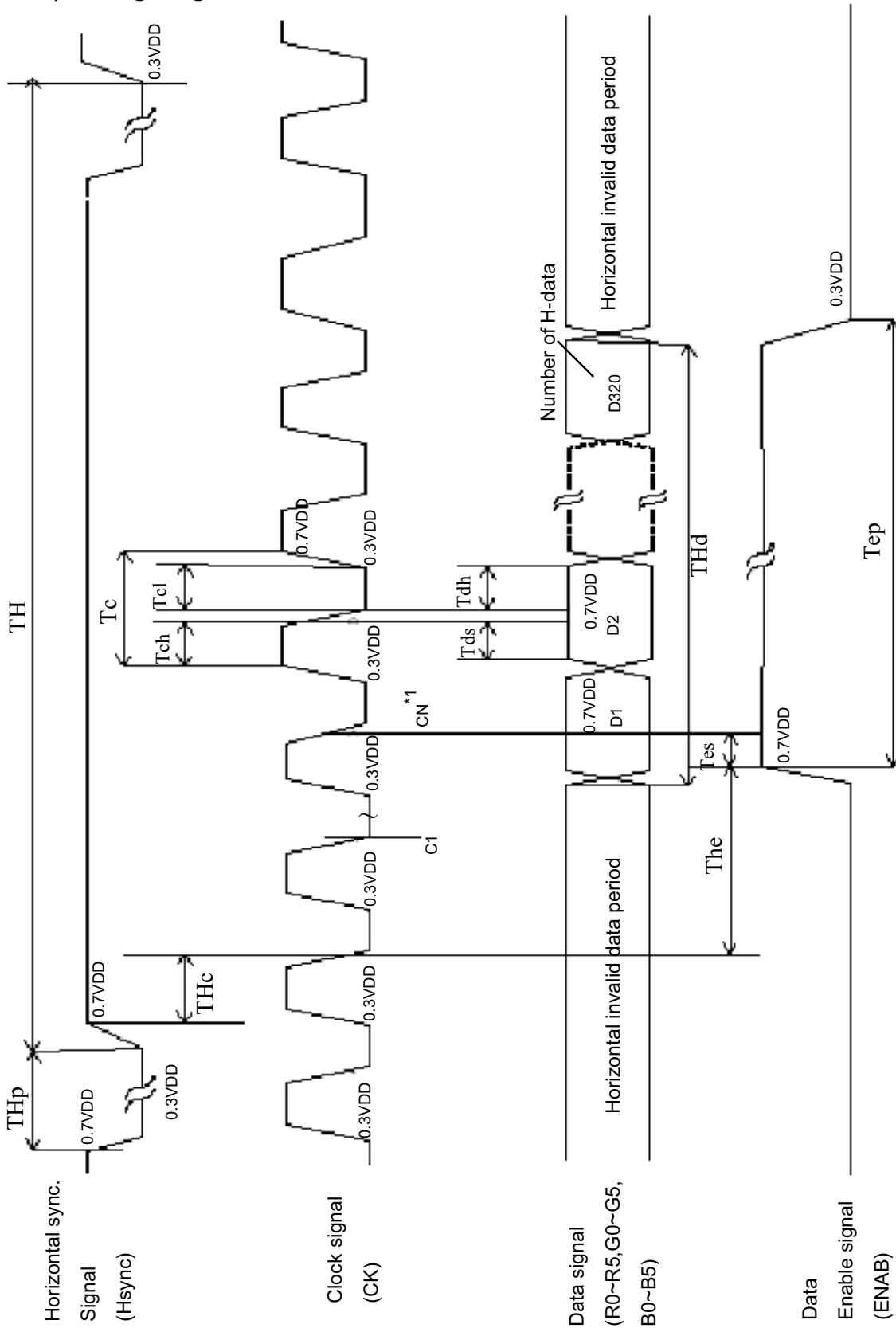
Parameter		symbol	Min.	Typ	Max	Unit	Remark
Enable signal	Set up time	Tes	5	-	Tc-10	ns	
	Pulse width	Tep	2	320	TH-10	clock	
Hsync-Enable signal phase difference		The	44	-	TH-664	clock	V/Q=H
			2	-	TH-340		V/Q=L

Note11-2 :

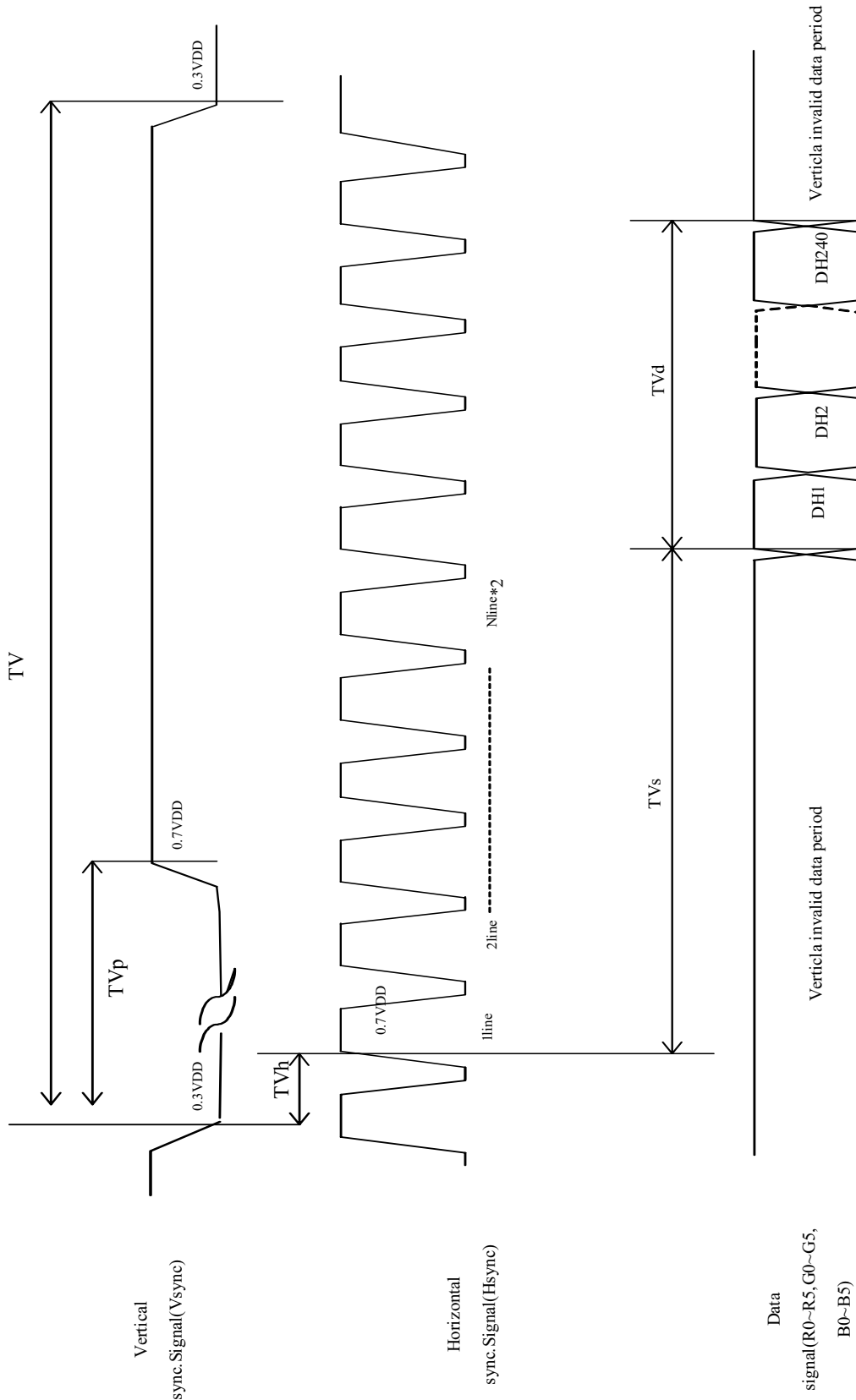
When ENAB is fixed at "V/Q=Low", the display starts from the data of C52 (clock).

When ENAB is fixed at "V/Q=High", the display starts from the data of C104 (clock).

11-2) Timing Diagram

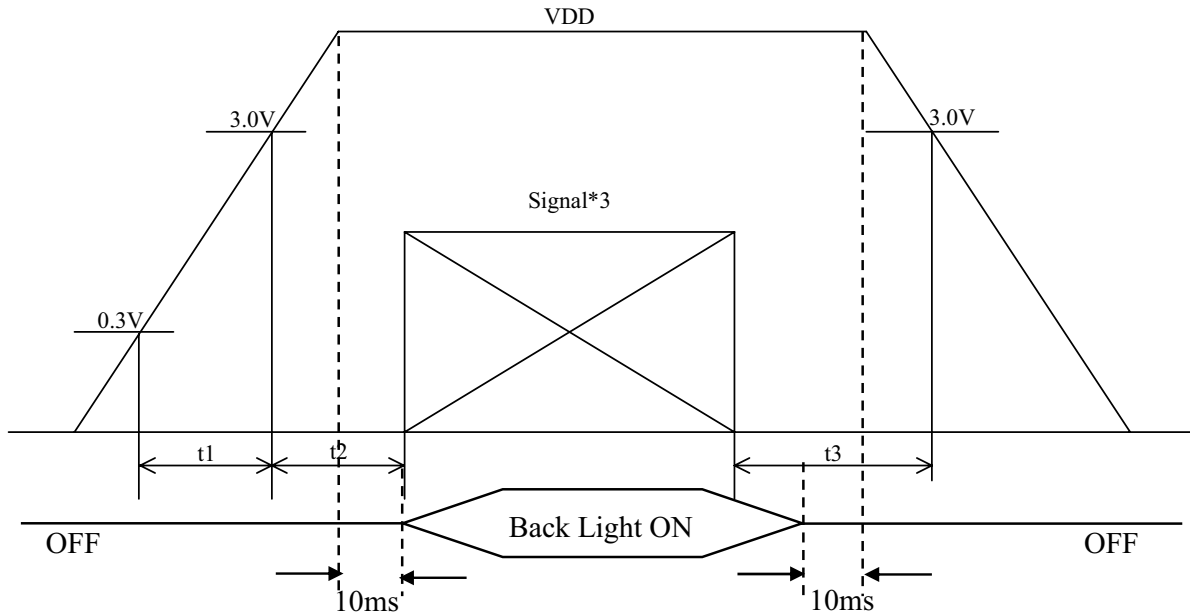


*1 When ENAB is fixed at $V/Q="H"$, the display starts from the data of C104 (Clock).
When ENAB is fixed at $V/Q="L"$, the display starts from the data of C52 (Clock).



*2 The vertical display position (TVs) is fixed at 34th line (V/Q=H) and 7th line (V/Q=L).

12. Power On Sequence



1. $0 < t1 \leq 20\text{ms}$
2. $0 < t2 \leq 50\text{ms}$
3. $0 < t3 \leq 1\text{s}$

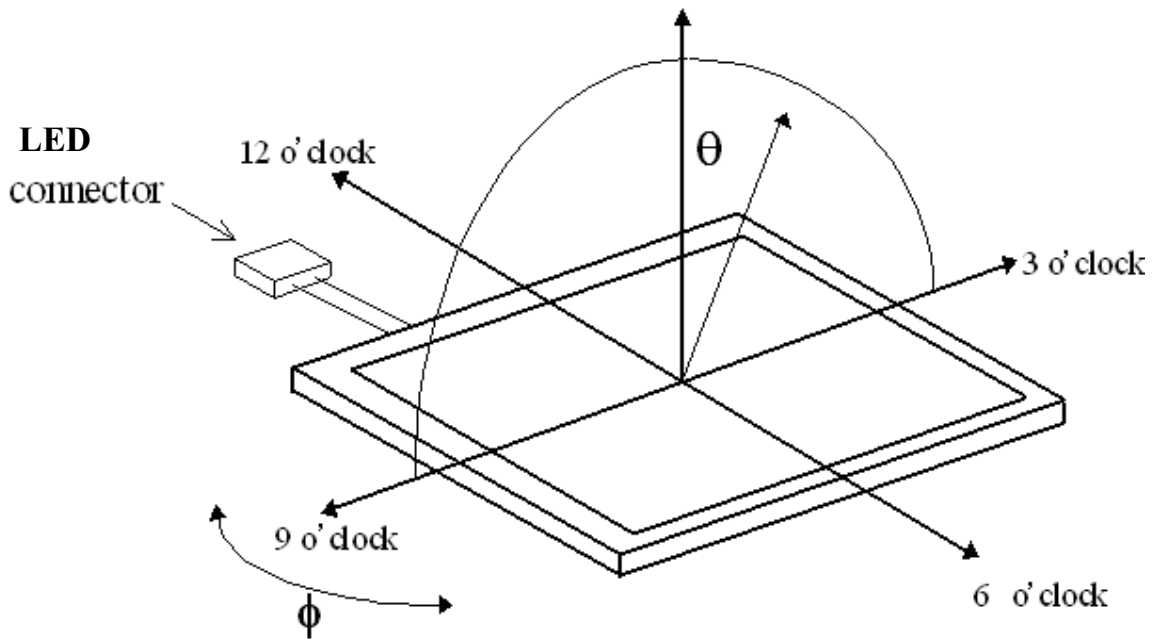
13. Optical Characteristics

13-1) Specification:

Ta=25°C

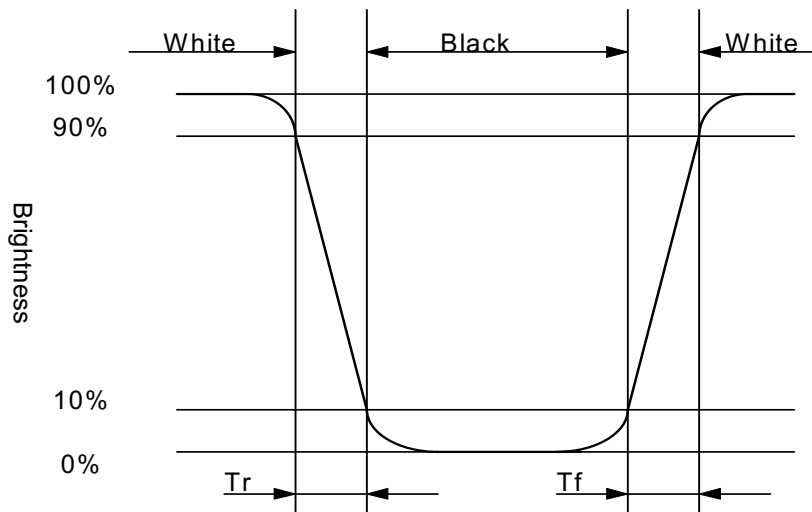
Parameter	Symbol	Condition	MIN.	TYP.	MAX.	Unit	Remarks
Viewing Angle	Horizontal	θ	70	75	-	deg	Note 13-1
	Vertical	θ (to 6 o'clock)	65	70	-	deg	
		θ (to 12 o'clock)	45	50	-	deg	
Contrast Ratio	CR	At optimized viewing angle	300	600	-	-	Note 13-2
Response time	Rise	Tr	-	15	30	ms	Note 13-3
	Fall	Tf	-	25	50	ms	
Brightness	-	$\theta=0^\circ/\varphi=0$	350	400	-	cd/m ²	Note 13-5
Luminance Uniformity	U%		70	75	-	%	Note 13-6
White Chromaticity	x		0.27	0.31	0.35	-	
	y		0.30	0.34	0.38	-	
LED Life Time	-		-	30000	-	hrs	Note 13-4

Note 13-1 : The definitions of viewing angles are as follow



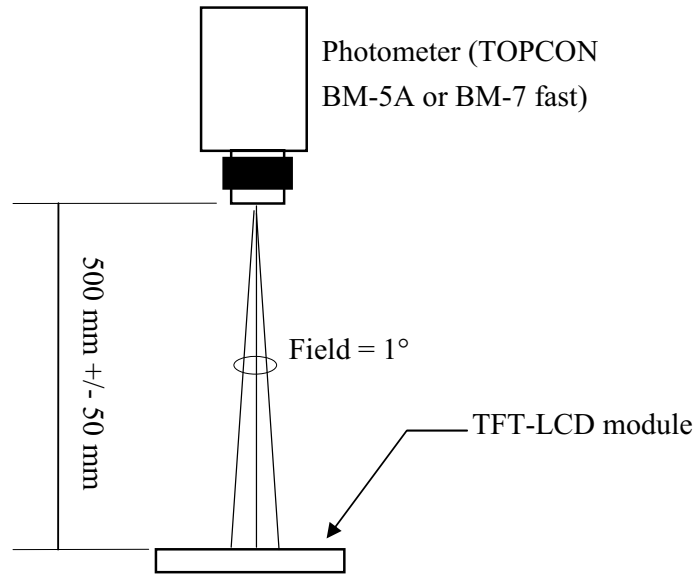
Note 13-2 : The definition of contrast ratio $CR = \frac{\text{Luminance at White Pattern}}{\text{Luminance at Black Pattern}}$

Note 13-3 : Definition of Response Time T_r and T_f :



Note 13-4 : The “LED Life time “ is defined as the module brightness decrease to 50% original Brightness that the ambient temperature is 25°C and $I_{LED} = 20 \text{ mA}$.

Note 13-5 : All optical measurements shall be performed after backlight being turned-on for 30 mins. The optical characteristics shall be measured in dark room (ambient illumination on panel surface less than 1 Lux). The measuring configuration shows as following figure.



Optical characteristics measuring configuration

Note 13-6 : The uniformity of LCD is defined as

$$U = \frac{\text{The Minimum Brightness of the 9 testing Points}}{\text{The Maximum Brightness of the 9 testing Points}}$$

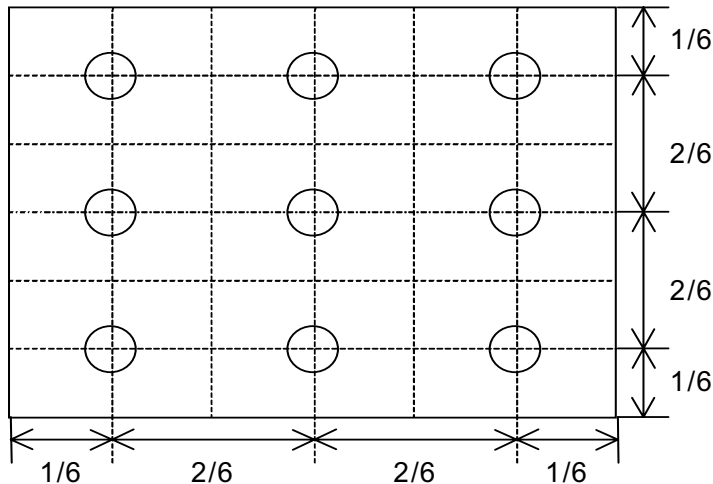
Luminance meter: BM-5A or BM-7 fast (TOPCON)

Measurement distance: 500 mm +/- 50 mm

Ambient illumination: < 1 Lux

Measuring direction: Perpendicular to the surface of module

The test pattern is white



14. Handling Cautions**14-1) Mounting of module**

- a) Please power off the module when you connect the input/output connector.
- b) Polarizer which is made of soft material and susceptible to flaw must be handled carefully.
- c) Protective film (Laminator) is applied on surface to protect it against scratches and dirt.
- d) Please following the tear off direction as figure 14-1 to remove the protective film as slowly as possible, so that electrostatic charge can be minimized.

14-2) Precautions in mounting

- a) When metal part of the TFT-LCD module (shielding lid and rear case) is soiled, wipe it with soft dry cloth.
- b) Wipe off water drops or finger grease immediately. Long contact with water may cause discoloration or spots.
- c) TFT-LCD module uses glass which breaks or cracks easily if dropped or bumped on hard surface. Please handle with care.
- d) Since CMOS LSI is used in the module. So take care of static electricity and earth yourself when handling.

14-3) Adjusting module

- a) Adjusting volumes on the rear face of the module have been set optimally before shipment.
- b) Therefore, do not change any adjusted values. If adjusted values are changed, the specifications described may not be satisfied.

14-4) Others

- a) Don't expose the module to direct sunlight or intensive ultraviolet rays for many hours.
- b) Store the module at a room temperature place.
- c) The voltage of beginning electric discharge may over the normal voltage because of leakage current from approach conductor by to draw lump read lead line around.
- d) If LCD panel breaks, it is possibly that the liquid crystal escapes from the panel. Avoid putting it into eyes or mouth. When liquid crystal sticks on hands, clothes or feet. Wash it out immediately with soap.
- e) Observe all other precautionary requirements in handling general electronic components.
- f) Please adjust the voltage of common electrode as material of attachment by 1 module.

14-5) Polarizer mark

The polarizer mark is to describe the direction of wide view angle film how to match up with the rubbing direction.

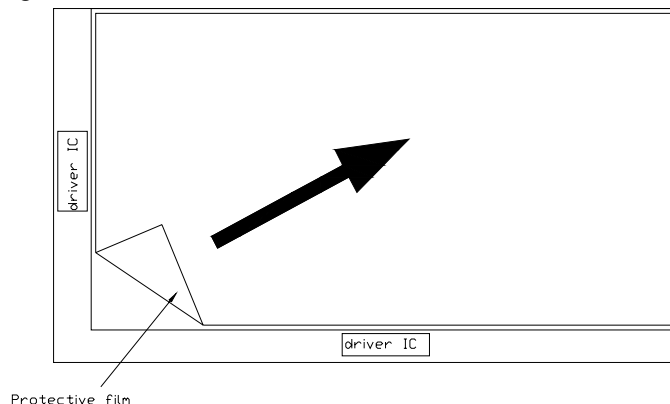


Figure 14-1 the way to peel off protective film

15. Reliability Test

No	Test Item	Test Condition	Remark
1	High Temperature Storage Test	Ta = +85°C, 240 hrs	
2	Low Temperature Storage Test	Ta = -40°C, 240 hrs	
3	High Temperature Operation Test	Ta = +80°C, 240 hrs	
4	Low Temperature Operation Test	Ta = -30°C, 240 hrs	
5	High Temperature & High Humidity Operation Test	Ta = +60°C, 90%RH, 240 hrs (No Condensation)	
6	Thermal Cycling Test (non-operating)	-20°C → +70°C, 200 Cycles 30 min 30 min	
7	Vibration Test (non-operating)	Frequency: 10 ~ 57 HZ /Vibration Width:0.075 mm 58-500 Hz / Gravity: 9.8m/s ² Sweep time: 11 minutes Test period: 3 hrs for each direction of X, Y, Z	
8	Shock Test (non-operating)	Gravity: 490m/s ² * 6ms Direction: ±X, ±Y, ±Z 3 times for each direction	
9	Electrostatic Discharge Test (non-operating)	Machine Mode = ±200V C = 200pF, R = 0Ω 1 times discharge for each pad	
10	Hitting Durability Test (Touch panel)	1,000,000 times, with R 8.0 mm silicon rubber, 250g, 3times/sec	
11	Sliding Durability Test (Touch panel)	1,00,000 times, with R 0.8 mm polyacetal stylus, 250g, 60mm/sec	

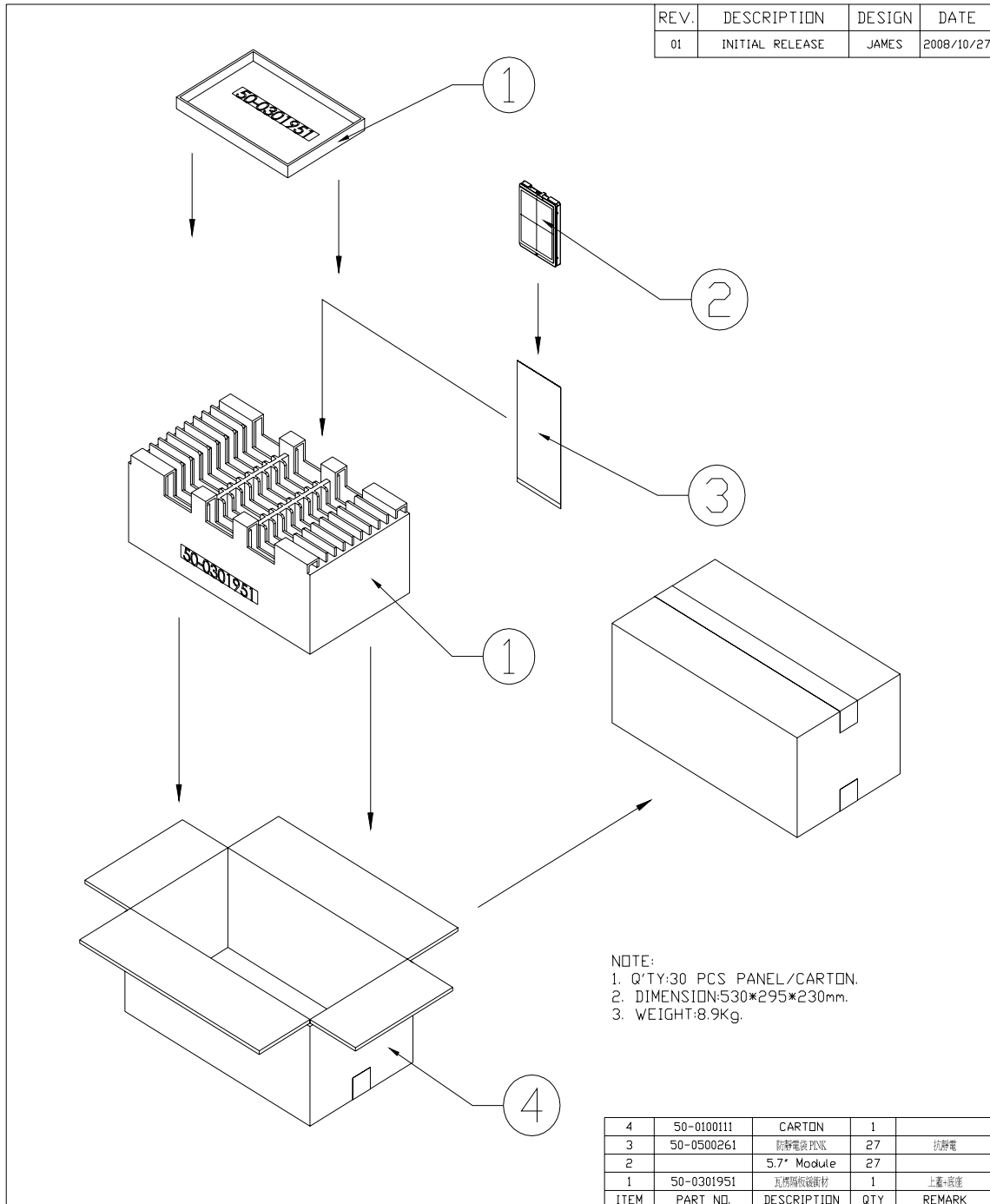
Ta: ambient temperature

Note: The protective film must be removed before temperature test

[Criteria]

In the standard conditions, there is not display function NG issue occurred.
(Including : line defect, no image) All the cosmetic specification is judged before the reliability stress.

16. Packing Diagram



MTL.SPEC.		UNSPECIFIED TOL. ANGLE ROUGHNESS		REMARK		元太科技股份有限公司 Prime View International Co.,Ltd.	
APPROVE	FRANK SHIN	SCALE	UNIT	SHEET	DWG.TITLE		
CHECK	FRANK SHIN	MTL.NO.		1 OF 1	5.7" Module Packing Draw		
DESIGN	JAMES	PD057VUB			DWG.NO.	REV.	A4 01 SIZE