



禾瑞亞科技股份有限公司  
eGalax\_eMPIA Technology Inc.

## SAW Touch Panel Controller

This touch panel controller provides the optimistic performance of the Surface Acoustic Wave touch panels. It communicates with PC system directly through RS232 or USB connector. You can see how superior the design is in sensitivity、accuracy and friendly operation. The touch panel driver emulates mouse left and right button function and supports operation systems as following.

OS	Version	Interfaces
<b>Windows</b>	Windows Vista, XP/2000, 9x/ME Windows CE 2.12/3.0/.net/5.0/6.0 Windows Embedded Windows XP Tablet PC edition Windows Vista	RS232/USB
<b>Windows</b>	Windows NT4	RS232
<b>Linux</b>	Mandrake (Mandrake 9.1/9.2/10, Mandriva 2005, Mandriva 2006), Red Hat (7.3/8.0/9.0), Fedora (Core I/II/III/IV/V/VI), Yellow Dog (3.X) , SuSE (9.2/9.3/10/10.1), Ubuntu (5.1/6.06), Debian (3.1, Kernel 2.4.x/2.6.x)	RS232/USB (up to Kernel 2.6.x)
<b>DOS</b>	DOS	RS232
<b>Mac</b>	Mac OS, Mac OS X (PowerPC, intel CPU)	USB
<b>QNX</b>	QNX RTOS v6.3	RS232/USB



# ETP-MB-TITAN6000

## Specifications:

<b>Circuit Board Dimension</b>	84mm x 53mm (3.3 inches x 2.09 inches)
<b>Power Requirements</b>	4.75V ~ 5.25 VDC (50mv, peak to peak maximum ripple)
<b>Operating Temperature</b>	0 to 60 °C
<b>Storage Temperature</b>	-20 to 80 °C
<b>Relative Humidity</b>	95% at 60 °C
<b>Interface</b>	Bi-directional RS-232 serial communication USB: 2.0 compliant
<b>Protocol</b>	RS232: No parity, 8 data bits, 1 stop bit, 9600 baud (N, 8, 1, 9600) USB: Full Speed, USB 2.0 compliant
<b>Resolution</b>	2048x2048
<b>Report rate</b>	RS232 : 160points/sec USB : 200points/sec
<b>Response time</b>	Max. 35 ms
<b>Attached Cable</b>	RS232: 6' shielded cable with 9-pin D-sub connector USB: 6' shielded cable with A type connector for USB Y converter cable
<b>Regulatory Approvals</b>	FCC-B , CE
<b>EMI</b>	Unaffected by environmental EMI
<b>Electro-Static Discharge (ESD)</b>	16KV

# ETP-MB-TITAN6000

## Features:

<b>Alignment</b>	Fast 4 Points Alignment
<b>Linearization</b>	9, 25 Points Linearization
<b>Setting</b>	Support Multi-Controller and Dynamical Add/Remove.
<b>Languages Support</b>	Support 11 languages in Windows.
<b>Mouse Emulation</b>	Right/Left buttons emulation
<b>HID Touch Digitizer</b>	Support Vista HID Touch Digitizer
<b>HID Mouse</b>	Support HID Mouse
<b>Sound Feedback</b>	Sound on Touch Sound on Lift No Sound
<b>Double Click</b>	Configurable Speed Configurable Range
<b>Monitor Support</b>	Monitor Rotation Supported Multiple Monitor Supported Split Display Supported

## ***Product Package:***

- (1) ETP-MB-TITAN6000 (SAW control board)
- (2) ETP-CB-SXC00 (Y- cable)
- (3) ETP-CB-SXR00 (SR232 cable) or  
ETP-CB-SXU00 (USB cable)

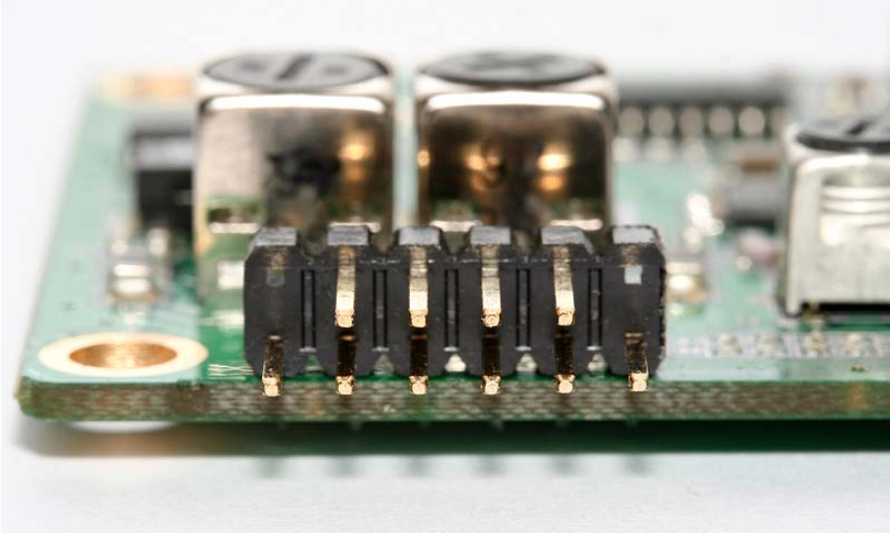
# ETP-MB-TITAN6000

## Controller Panel Pin Assignment:

(1) For Panel

1	<b>GND</b>	2
	<b>Y+Rec</b>	<b>Y+Tran</b>
	<b>Y-Rec</b>	<b>Y-Tran</b>
	<b>GND</b>	<b>X-Tran</b>
	<b>X-Rec</b>	<b>X+Tran</b>
11	<b>X+Rec</b>	12

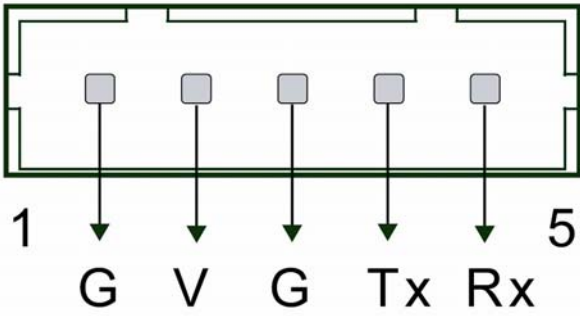
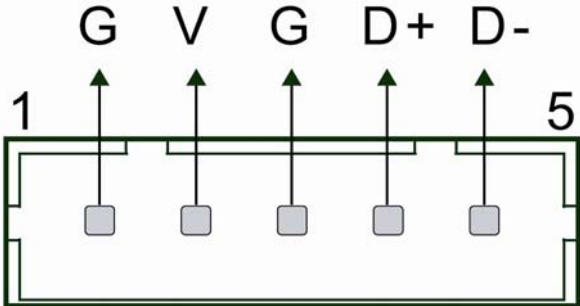
2					12
X	<b>Y+Tran</b>	<b>Y-Tran</b>	<b>X-Tran</b>	<b>X+Tran</b>	X
<b>GND</b>	<b>Y+Rec</b>	<b>Y-Rec</b>	<b>GND</b>	<b>X-Rec</b>	<b>X+Rec</b>
1					
11					



ETP-MB-TITAN6000



*USB Interface*



*RS232 Interface*