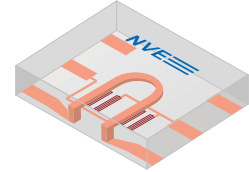


AAV003-10E Current Sensor

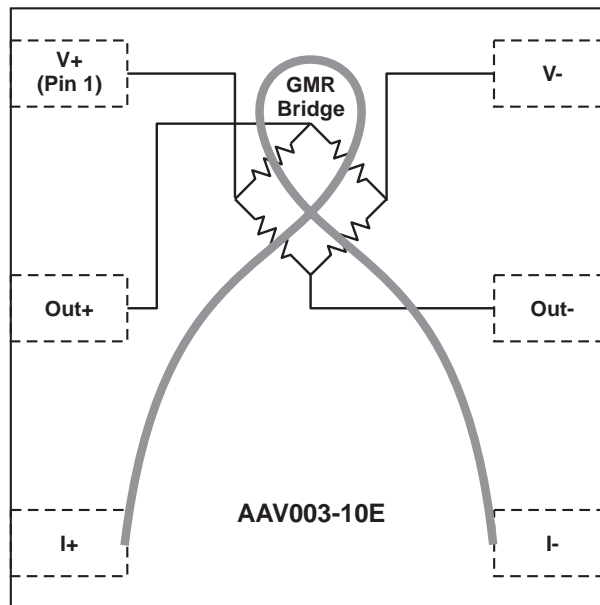
Key Features

- For Low Current Detection
- On-Chip Current Strap for Precise Operation
- -80 mA to +80 mA Linear Range
- Sensitivity up to 2 mV/mA
- AC or DC Measurement
- Ultraminiature TDFN Package



Description

The AAV003-10E is a high linearity, extremely low hysteresis GMR current sensor with an on-chip current strap. A GMR bridge sensor element close to the current strap senses the magnetic field created by the current. The GMR sensor element uses a unique, bipolar output, low hysteresis GMR material for excellent accuracy. The four terminals of the bridge sensor are available externally. The output terminals of the bridge provide a bipolar voltage signal proportional to the current through the strap.



AAV003-10E Functional Diagram

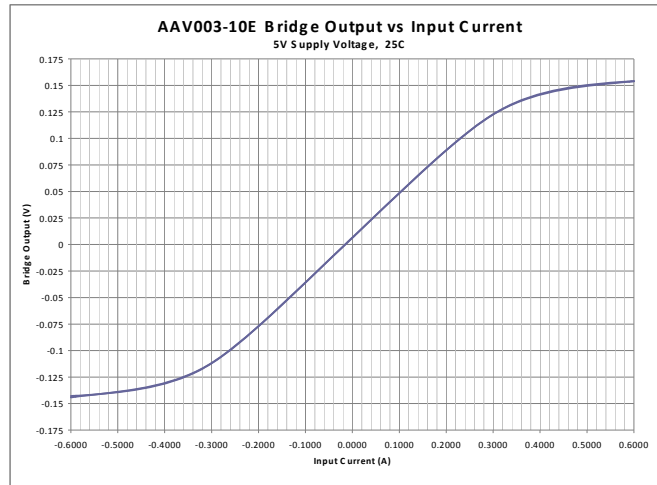
HY-LINE[®]
S E N S O R - T E C

Inselkammerstr. 10
82008 Unterhaching
Tel.: 089/614 503 - 30
E-Mail: sensortec@hy-line.de

Postfach 12 22
82002 Unterhaching
Fax: 089/614 503 - 34
www.hy-line.de

Operation

A representative transfer curve is shown below:



Operating Specifications:

Parameter	Test Conditions	Min.	Typ.	Max.	Units
Nominal Bridge Resistance	25°C	5500	7000	8500	Ohms
Sensitivity	Operating; 5 V Supply, 25°C	0.06	0.08	0.10	mV/V-mA
Frequency Response		100			KHz
Linear Range of Current Measurement	Operating; Full Voltage and Temperature Range	-80		80	mA
Output Linearity	Over Linear Current Range; Full Oper. Temperature Range	99%			
Bridge Electrical Offset	25°C	-4		+4	mV/V
Offset Drift over Full Temperature Range	Zero Current	-1.0		1.0	mV/V
Bridge Supply Voltage				24	Volts
Isolation Voltage	See Note 1	240			V _{RMS}
On-Chip Current Strap Resistance	25°C	0.25		0.35	Ohms
On-Chip Current Strap Resistance Temperature Coefficient			+0.6		%/°C
Temperature Range of Operation	Operating	-40		85	°C
Bridge Resistance Temperature Coeff.	Operating		+0.1		%/°C
Bridge TCOV ²	Operating		-0.21		%/°C

Notes:

- For isolation measurement, the sensor is considered a two terminal device: I₊ and I₋ pins (pins 3 and 4) are shorted, and bridge pins (pins 1, 2, 5, and 6) are shorted.
- TCOV is the percent change in output signal over temperature, with a constant voltage source powering the part.

Absolute Maximum Ratings:

Parameter	Min.	Typ.	Max.	Units
Absolute Maximum Current	-600		600	mA
Bridge Supply Voltage			30	Volts
Storage Temperature	-40		170	°C
Ambient Magnetic Field	Unlimited			

Note: Exceeding Absolute Maximum Ratings may cause permanent damage.

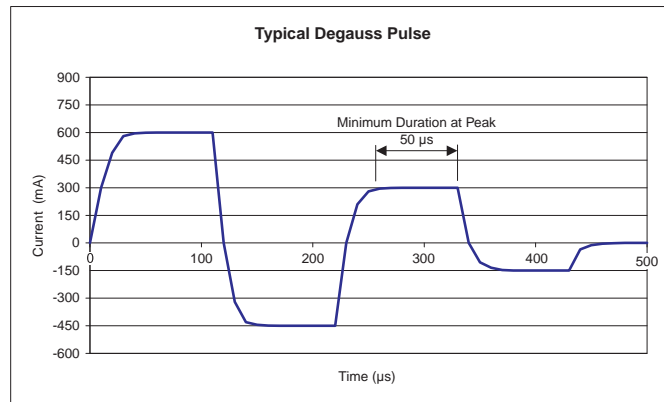
External Magnetic Fields and Hysteresis Effects

The AAV003-10E sensor elements are shielded to make them insensitive to external magnetic fields, however, shielding is not 100% effective, so external fields applied to the sensor should be avoided for the most repeatable, accurate operation.

When exposed to magnetic fields over 50 Oe (5 mT), the characteristic of the sensor can be disturbed, causing a hysteresis effect that will produce a non-linear response. A magnetic field of 50 Oe is a large field that should not be encountered during normal operation. However, in case the sensor is exposed to such a field, a degauss pulse train can be applied to the sensor to restore the original response. The sensor cannot be permanently damaged by any magnetic field, no matter how large and it can always be restored after exposure to a large field with a degauss signal.

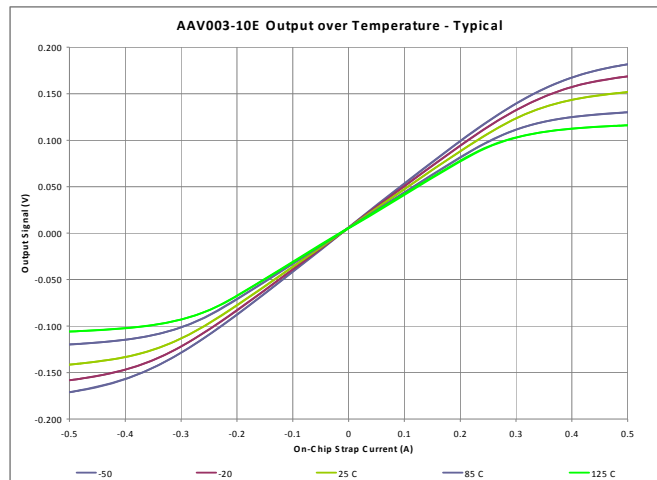
This same effect can be observed when a large constant current (>200 mA) is applied to the on-chip current strap, or a smaller constant current (>100 mA) at high temperatures (>85°C). Again in these cases, correct operation of the sensor is restored with a degauss signal.

The degauss signal should consist of at least four current pulses of alternating polarity, with a pulse width of at least 50 μ s and an initial current pulse of 600 mA:



Temperature Characteristics

Typical output over temperature is shown in the graph below:



Pinout

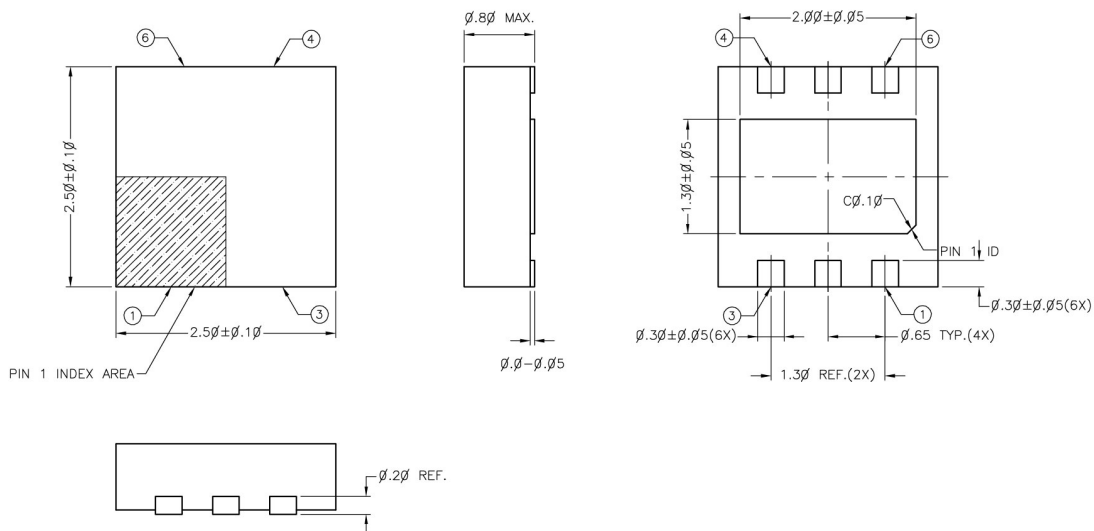
The AAV003-10E pinout is as follows:

Pin	Terminal	Description
1	V ₊	Supply Voltage
2	Out ₊	Positive Differential Bridge Output
3	I ₊	Current Terminal 1
4	I ₋	Current Terminal 2
5	Out ₋	Negative Differential Bridge Output
6	V ₋	Ground

Notes:

1. Pins are numbered counterclockwise around the package.
2. Current entering the chip via terminal I₊ and leaving the chip via terminal I₋ produces a positive bridge output.

Package Drawing – TDFN6 2.5 mm x 2.5 mm



Notes:

- Dimensions in mm.
- TDFN6 package has thermal power dissipation of 320°C/Watt in free air.
- Attaching the package to a circuit board improves thermal performance, especially if the center pad is also soldered to the board.
- The center pad may be left floating or connected to ground.