

Data Sheet



SCA3100-D04 3-AXIS HIGH PERFORMANCE ACCELEROMETER WITH DIGITAL SPI INTERFACE

Features

- 3.3V supply voltage
- ± 2 g measurement range
- 3-axis measurement XYZ directions
- ± 30 mg offset stability over temp range
- SPI digital interface
- Extensive self diagnostics features
- Size 7.6 x 3.3 x 8.6 mm (w x h x l)
- Qualified according to AEC-Q100 standard
- Package, pin-out and SPI protocol compatible with VTI digital accelerometer product family
- RoHS compliant Dual Flat Lead (DFL) plastic package suitable for lead free soldering process and SMD mounting
- Proven capacitive 3D-MEMS technology

Applications

SCA3100-D04 is targeted to applications with high stability requirements. Typical applications include

- Hill Start Aid (HSA)
- Electronic Parking Brake (EPB)
- Roll Over detection
- Suspension control
- Inclinometers
- Motion and position measurements

General Description

SCA3100-D04 is a high performance three axis accelerometer component based on VTI capacitive 3D-MEMS technology. The component integrates high accuracy micromechanical acceleration sensing together with a flexible SPI digital interface. Dual Flat Lead (DFL) housing guarantees reliable operation over product lifetime.

SCA3100-D04 is designed, manufactured and tested for high stability, reliability and quality requirements of automotive applications. The accelerometer has extremely stable output over wide range of temperature, humidity and vibration. The component is qualified against AEC-Q100 standard and has several advanced self diagnostics features. The DFL housing is suitable for SMD mounting and the component is compatible with RoHS and ELV directives.

SCA3100-D04 is a part of VTI digital accelerometer family and fully compatible with single axis accelerometers (SCA800 series) and other multi axis accelerometers (SCA2100 series and SCA3100 series).

HY-LINE[®]
S E N S O R - T E C

Inselkammerstr. 10
82008 Unterhaching
Tel.: 089/614 503 - 30
E-Mail: sensortec@hy-line.de

Postfach 1222
82002 Unterhaching
Fax: 089/614 503 - 34
www.hy-line.de

Performance Characteristics

Vdd=3.3 V and ambient temperature unless otherwise specified.

| Parameter | Condition | | | | |
|--|---------------------------------------|-------------------|-------------------|------------------|---------|
| | | Min | Typ ^{A)} | Max | Units |
| Analog and digital Vdd | | 3.0 | | 3.6 | V |
| Current consumption | Active mode | | 3 | 5 | mA |
| | Power down mode | | 0.12 | | mA |
| Measurement range | Measurement axes (XYZ) | -2 | | 2 | g |
| Operating temperature | | -40 | | 125 | °C |
| Offset total error ^{B)} | Temperature range -40 ... +125 °C | -70 | | 70 | mg |
| Offset calibration error ^{C)} | @25 °C ±5°C | -40 | ±16 | 40 | mg |
| Offset temperature drift | Temperature range -40 ... +125 °C | -30 ^{D)} | ±18 ^{E)} | 30 ^{D)} | mg |
| Sensitivity | 12 bit output | | 900 | | Count/g |
| | Between ±3° | | 0.0637 | | °/Count |
| Total sensitivity error | Temperature range -40 ... +125 °C | -4 | | 4 | % FS |
| Sensitivity calibration error | @25 °C ±5°C | | ±0.5 | | % FS |
| Sensitivity temperature drift | Temperature range -40 ... +125 °C | | ±0.8 | | % FS |
| Linearity error | +1g ... -1g range | -20 | | 20 | mg |
| Cross-Axis sensitivity | | -3.5 | ±2.5 | +3.5 | % |
| Zero acceleration output | 2-complement | | 0 | | Counts |
| Amplitude response ^{F)} | -3dB frequency | 30 | | 55 | Hz |
| Noise | | | | 5 | mg RMS |
| Power on setup time | | | | 0.1 | s |
| Output data rate | | | 2000 | | Hz |
| Output load | | | | 50 | pF |
| SPI clock rate | | | | 8 | MHz |
| ESD protection | Human Body Model | | | 2 | kV |
| | Charge Device Model | | | 1 | kV |
| Moisture sensitivity level | IPC/JEDEC J-STD-020C, Level 3 | | | | |
| Mechanical shock | | | | 20 000 | g |
| ID register value | Customer readable ID register (27hex) | | C1 | | |

- A) Typical ± values are ±3 sigma variation limits from validation test population.
 B) Includes offset deviation from 0g value including calibration error and drift over lifetime, temperature and supply voltage.
 C) Includes offset deviation from 0g value including calibration error and drift over lifetime.
 D) Offset drift due to temperature. Value is a relative value and has not been centered to 0g. Error defined as maximum change of offset in temperature range. Offset (max)-Offset (Min). 100% tested in production.
 E) Biggest change of output from RT value due temperature.
 F) See figure 4.

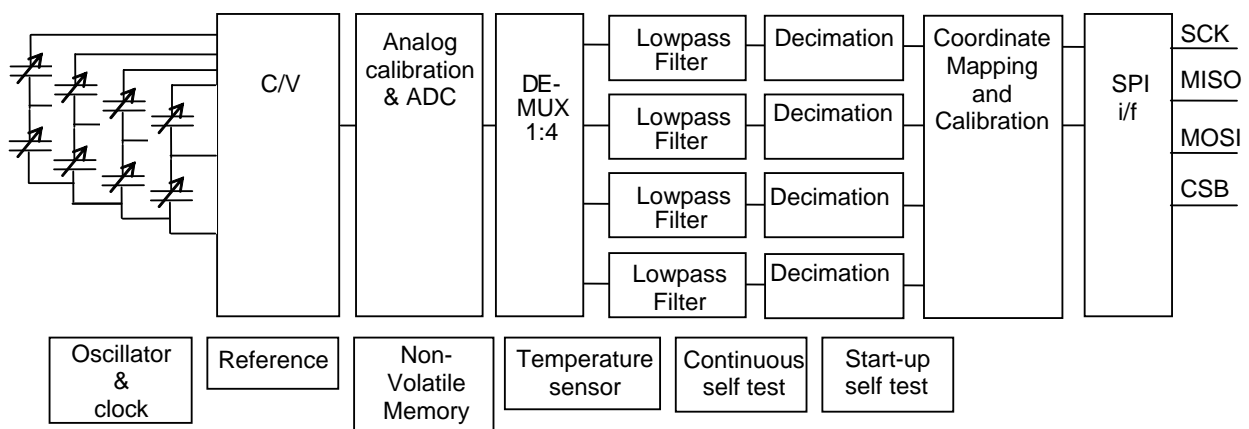
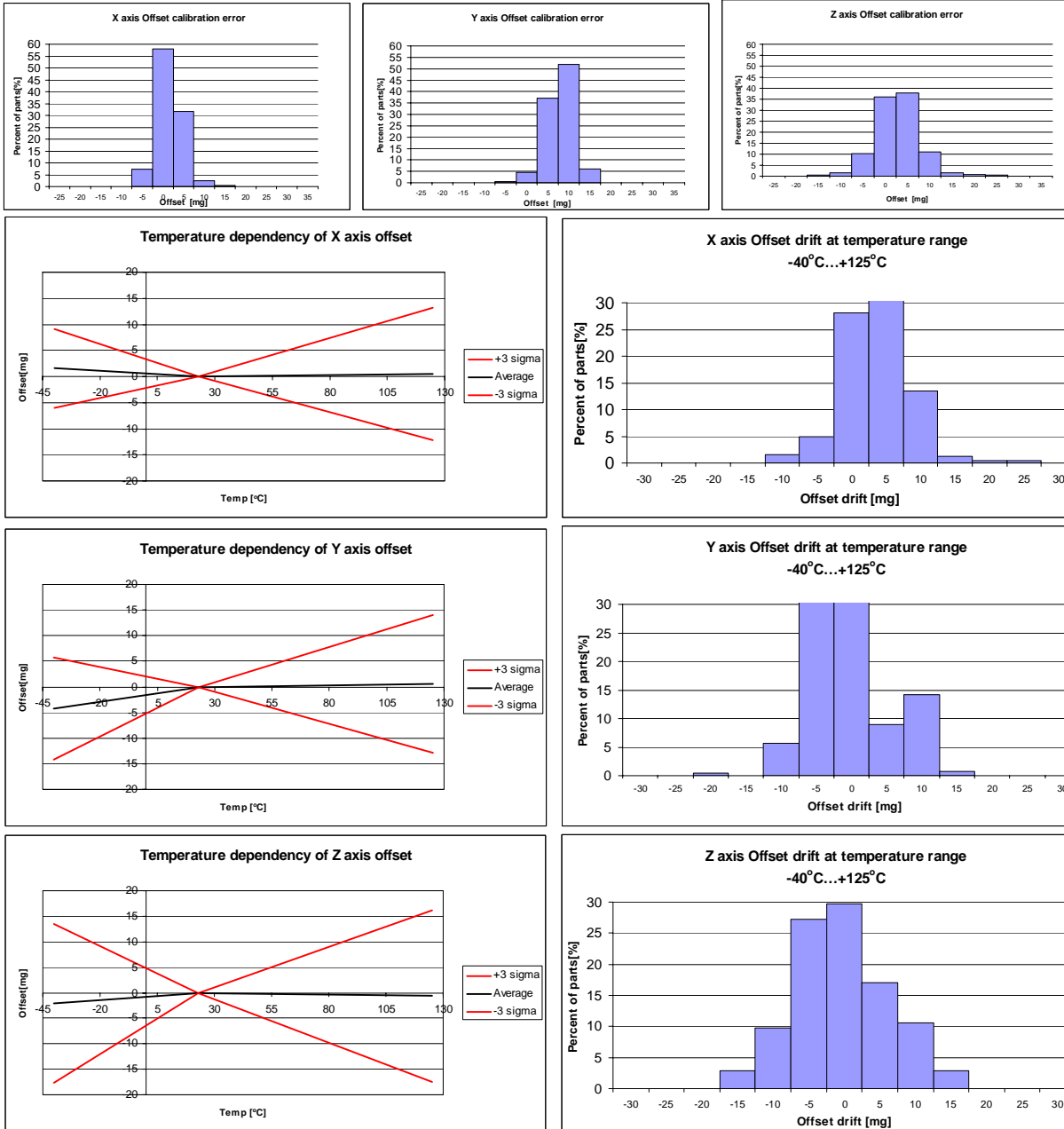
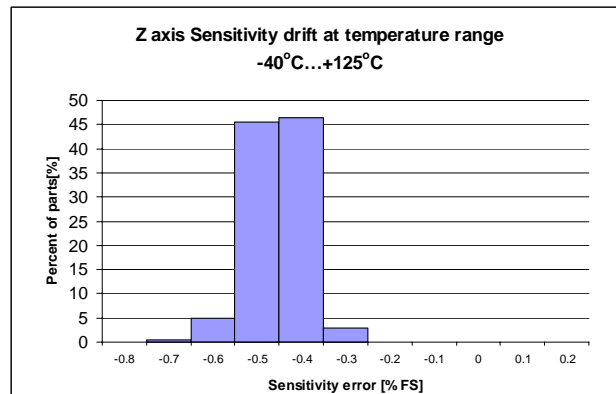
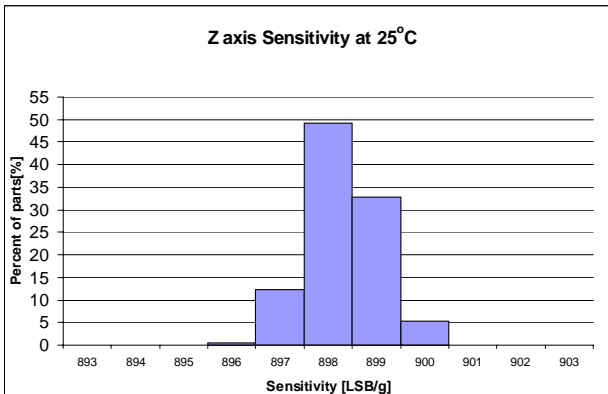
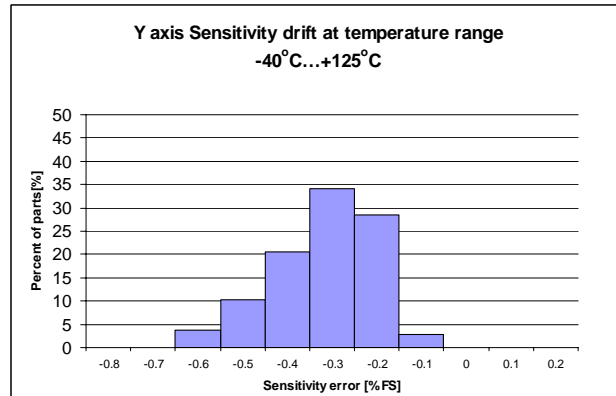
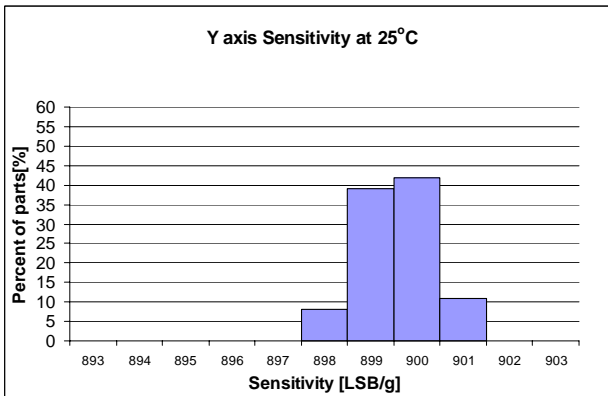
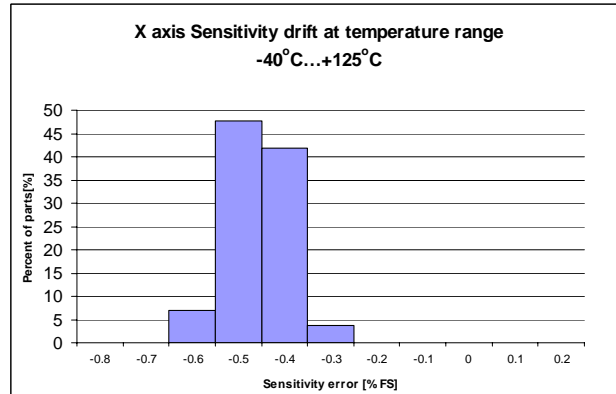
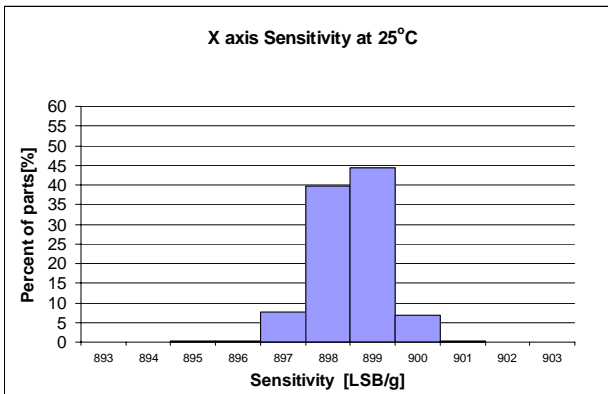


Figure 1. SCA3100-D04 Block diagram

Typical Performance characteristics





Measurement directions

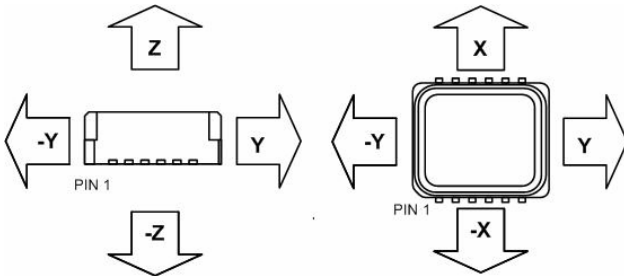


Figure 1. Accelerometer measuring directions

Housing dimensions

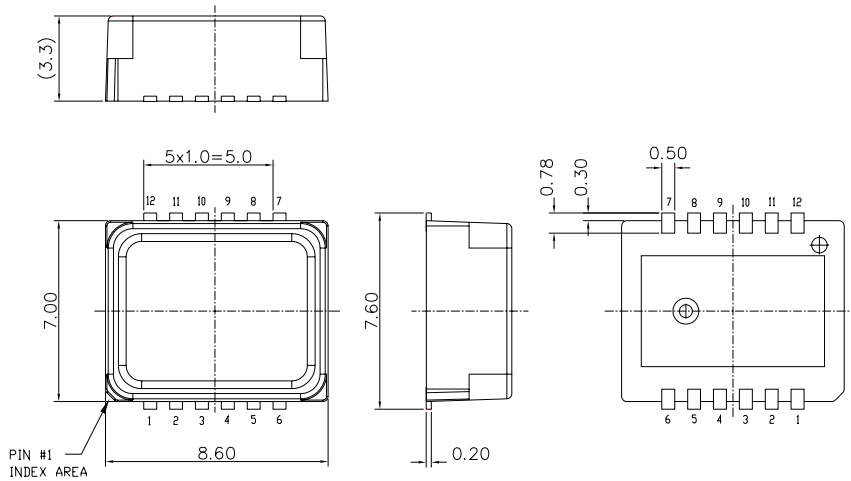


Figure 2. Housing dimensions

Frequency response

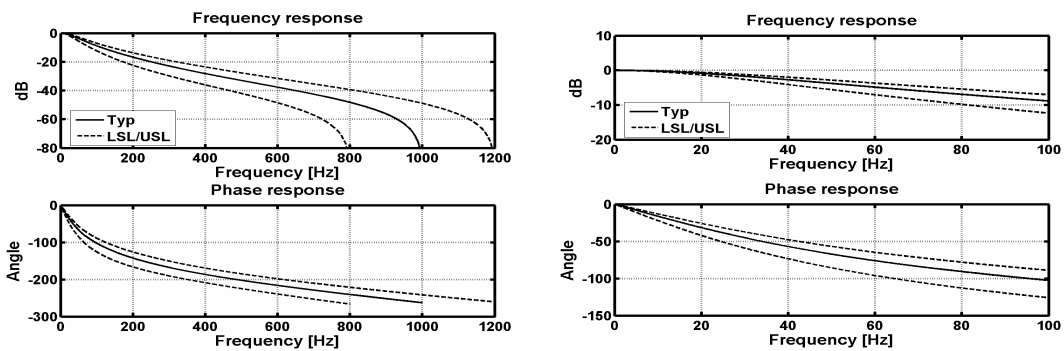


Figure 3. Frequency response curves

Contact Information

| | | |
|---|--|---|
| <p>Finland (head office) VTI Technologies Oy P.O. Box 27 Myllynkivenkuja 6 FI-01621 Vantaa Finland Tel. +358 9 879 181 Fax +358 9 8791 8791 E-mail: sales@vti.fi</p> | <p>Germany VTI Technologies Oy Branch Office Frankfurt Rennbahnstrasse 72-74 D-60528 Frankfurt am Main, Germany Tel. +49 69 6786 880 Fax +49 69 6786 8829 E-mail: sales.de@vti.fi</p> | <p>USA VTI Technologies, Inc. One Parklane Blvd. Suite 804 - East Tower Dearborn, MI 48126 USA Tel. +1 313 425 0850 Fax +1 313 425 0860 E-mail sales@vtitechnologies.com</p> |
| <p>Japan Akebono Brake Industry Co.,Ltd. 5-4-71 Higashi, Hanyu-city Saitama Pref., 348-8501 Japan Tel. +81 48 560 1470 Fax +81 48 560 1469 www.akebono-brake.co.jp E-mail: forename.surname@vti.fi</p> | <p>China VTI Technologies Shanghai Office 6th floor, Room 618 780 Cailun Lu Pudong New Area 201203 Shanghai P.R. China Tel. +86 21 5132 0418 or +86 21 5132 0400 *112 Fax +86 21 513 20 416 E-mail: forename.surname@vti.fi</p> | <p>To find out your local sales representative visit www.vti.fi</p> |