

TFT-DISPLAY DATASHEET

AUO
Model: G070VFN01.2

BRIEF SPEC.:

Main Feature

Landscape Type

White LED Backlight

Wide Viewing Angle

Active Screen Area

152.4 x 91.44 (mm)

Diagonal | Format

7" | 15:9

Resolution

800 x 480

Colors

262K (6bit)

Backlight

LED, White

Brightness

600cd/m²

LED Life Time

30.000 (Typ)

Interface

RGB

Viewing Angle

-80~80(H), -80~80(V)

Touchscreen

No

Power Supply

3.3V (Typ.)

Module Outline

164.55 x 104.71 x 8,5 (mm)

Operation Temperature

-20... +70 °C

Storage Temperature

-30... +80 °C

Surface Treatment

Antiglare Hard Coating

- Preliminary Specification
- Final Specification

Module	7.0 Inch Color TFT-LCD Module
Model Name	G070VVN01.2

Customer <hr/>	Date <hr/>
Checked & Approved by <hr/>	Date <hr/>
Note: This Specification is subject to change without notice.	

Approved by <hr/>	Date <hr/>
Grace Hung	2014/11/07
Prepared by <hr/>	Date <hr/>
Elaine Hsu	2014/11/07
General Display Business Division / AU Optronics corporation	

APPROVAL FOR SPECIFICATIONS ONLY (Spec. Ver. 1.4)
APPROVAL FOR SPECIFICATIONS AND ES SAMPLE (Spec. Ver. 1.4)
APPROVAL FOR SPECIFICATIONS AND CS SAMPLE (Spec. Ver. 1.4)
CUSTOMER REMARK :

Contents

1. Operating Precautions	4
2. General Description	5
2.1 Features	5
2.2 Display Characteristics	5
2.3 Optical Characteristics	6
3. Functional Block Diagram	9
4. Absolute Maximum Ratings	10
4.1 Absolute Ratings of Driving Condition	10
4.2 Absolute Ratings of Environment	10
5. Electrical Characteristics	11
5.1 TFT-LCD Driving Condition	11
5.2 Backlight Unit Driving Condition	11
6. Signal Characteristic	12
6.1 Pixel Format Image	12
6.2 Scanning Direction	12
6.3 The Input Data Format	13
6.4 TFT- LCD Pin Assignment Description	14
6.5 Power on/off sequence	16
6.6 TFT- LCD Driving Timing	17
7. Reliability Test Criteria	20
8. Mechanical Characteristics	21
9. Label and Packaging	22
9.1 Shipping Label (on the rear side of TFT-LCD display)	22
9.2 Packing form	23
9.3 Palletizing sequence	24
10 Safety	25
10.1 Standard	25
10.2 Capacitors	25
10.3 National Test Lab Requirement	25

Record of Revision

Version	Revise Date	Page	Old description
0.0	2013/1/31	-	First draft of preliminary specification.
0.1	2014/02/24	11	5.1 TFT-LCD Driving Condition Add driving power condition
		17	6.6.1 Digital Signal Timing Characteristic Add timing spec
		20	7. Reliability Test Criteria Modify TST spec to 70deg.
		20	8. Mechanical Characteristics Modify figure
1.0	2014/5/23	6	2.3 Optical Characteristics Add Color / Chromaticity Coordinates (CIE 1931)
		21	8. Mechanical Characteristics Modify version
1.1	2014/6/13	10	Modify Symbol from VLED to ILED
1.2	2014/6/30	16	Modify Power off sequence
1.3	2014/10/21	24	Modify 9.3 Palletizing sequence
1.4	2014/11/7	18	Modify 6.6.2 Digital Signal Timing Diagram – Fig.6-6

1. Operating Precautions

- 1) Display area (Polarizer) of TFT-LCD Module is easily to be damaged, please be cautious and not to scratch it.
- 2) Be sure to power off your machine before connecting or disconnecting your signal cable to TFT-LCD Module.
- 3) Wipe off water drop on display area immediately. Long contact with water may cause discoloration or spots.
- 4) When the panel surface is soiled, wipe it with absorbent cotton or soft cloth.
- 5) Display area (Glass) of TFT-LCD Module may be broken or cracked if bump Module against hard object.
- 6) To avoid ESD (Electro Static Discharge) damage, be sure to ground yourself before handling TFT-LCD Module.
- 7) Do not open nor modify the TFT-LCD module assembly.
- 8) Do not press the reflector sheet at the back of the module to any direction.
- 9) In case if TFT-LCD module has to be put back into the packing container slot after it was taken out from the container, do not press the center of the LED Reflector edge. Instead, press at the far ends of the LED Reflector edge softly. Otherwise the TFT-LCD Module may be damaged.
- 10) When inserting or removing of your signal cable to TFT-LCD Module, be sure not to apply abnormal force (rotate, tilt...etc.) to the Connector of the TFT-LCD Module.
- 11) TFT-LCD Module is not allowed to be twisted & bent even force is added on module in a very short time. Please design your display product well to avoid external force applying to module by end-user directly.
- 12) Small amount of materials without flammability grade are used in the TFT-LCD module. The TFT-LCD module should be supplied by power complied with requirements of Limited Power Source (IEC60950 or UL1950), or be applied exemption.
- 13) Severe temperature condition may result in different luminance, response time.
- 14) Continuous operating TFT-LCD Module under high temperature environment may accelerate LED light bar exhaustion and reduce luminance dramatically.
- 15) The data on this specification sheet is applicable when TFT-LCD module is placed in landscape position.
- 16) Continuous displaying fixed pattern may induce image sticking. It's recommended to use screen saver or moving content periodically if fixed pattern is displayed on the screen.

2. General Description

This specification applies to the 7.0 inch color TFT LCD with AMVA (Advanced MVA) technology module G070VFN01.2. It composed of a TFT-LCD panel, driver ICs, PCB with power supply circuit and backlight unit.

The screen format is intended to support the WVGA (800(H) x 480(V)) screen and 16.2M (8-bits) or 262k colors (6-bits) by digital RGB interface.

2.1 Features

- 7.0 inch (15:9) display
- WVGA (800 × 480) resolution
- Digital parallel RGB 6/8bit interface
- Scan direction reversible
- High brightness
- High Contrast ratio
- Wide viewing angle with Advanced MVA technology
- RoHs compliance

2.2 Display Characteristics

The following items are G070VFN01.2 characteristics summary at 25 (Room Temperature).

Items		Unit	Specifications
Screen Diagonal		inch	7.0
Outline Dimension		mm	164.55(H) × 104.71(V) × 8.0(T)
Active Area Size		mm	152.4(H)×91.44(V)
Resolution		dots	800RGB(H)×480(V)
Pixel Pitch		mm	0.1905(H)×0.1905(V)
Pixel Arrangement		-	R.G.B. Vertical Stripe
Display Mode		-	AMVA, Normally Black
Color Depth		-	16.2M (8bit) / 262K (6bit) colors
Nominal Input Power	LCD	V	3.3
	Backlight	mA	120
Typical Power Consumption		mW	3216 (Typ.)
Typical Weight		g	143
Surface Treatment		-	Anti-Glare, Hardness 3H
Temperature Range	Operating	°C	-20 to +70
	Storage(Non-Operating)	°C	-30 to +80

2.3 Optical Characteristics

The optical characteristics are measured under stable conditions at 25 (Room Temperature).

Item	Conditions		Min.	Typ.	Max.	Unit	Remark
White Luminance	$\Theta_x = 0^\circ; \Theta_y = 0^\circ$		480	600	-	cd/m ²	Note 1
Contrast Ratio			800	1500	-		Note 1, 2
Response Time	$\Theta_x = 0^\circ$ $\Theta_y = 0^\circ$	Rising (Tr)	-	10	15	ms	Note 1, 3
		Falling (Tf)	-	25	30		
		Tr + Tf	-	35	45		
Viewing Angle	Horizontal CR 10	Right	75	80	-	degree	Note 1, 4
		Left	75	80	-		
	Vertical CR 10	Top	75	80	-		
		Bottom	75	80	-		
Color / Chromaticity Coordinates (CIE 1931)	White x		0.261	0.311	0.361		Note 1
	White y		0.278	0.328	0.378		
	Red x		0.590	0.640	0.690		
	Red y		0.296	0.346	0.396		
	Green x		0.273	0.323	0.373		
	Green y		0.579	0.629	0.679		
	Blue x		0.100	0.150	0.200		
	Blue y		0.031	0.081	0.131		
Color Gamut			-	70	-	%	Note 1
Uniformity	9 Points		80	-	-	%	Note 1, 5

Note 1 : Measurement method and condition

Equipment	Pattern Generator, Power Supply, Digital Voltmeter, Topcon luminance meter BM-7
Test Point	Aperture = 1° with 50cm viewing distance at center of active area
Condition	1. Performed in the dark and windless room (Ambient light < 1 lux) 2. Measured after 10 minutes operation under backlight current $I_{LED} = 120mA$.

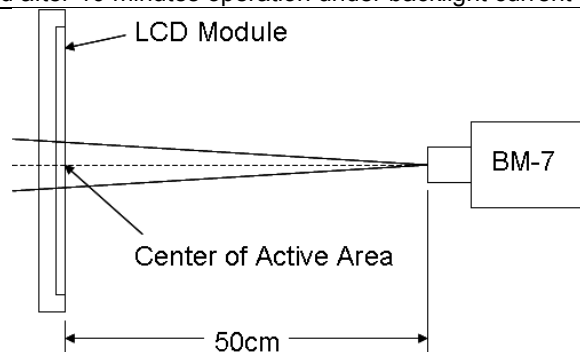


Fig. 2-1

Note 2 : Definition of contrast ratio (CR)

$$\text{Contrast ratio (CR)} = \frac{\text{Brightness @ "White" state}}{\text{Brightness @ "Black" state}}$$

Note 3 : Definition of response time

The output signals of photo detector are measured when the input signals are changed from "White" to "Black" (falling time) and from "Black" to "White" (rising time), respectively. The response time interval definition is between 10% and 90% of amplitude. Please refer to the figure as below.

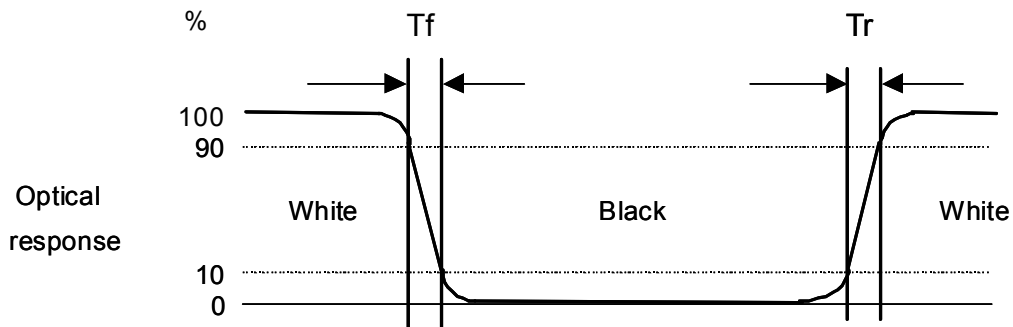


Fig. 2-2

Note 4 : Definition of viewing angle

Viewing angle is the measurement of contrast ratio 10, at the screen center, over 180° horizontal and 180° vertical range. The 180° horizontal (θ_L , θ_R) and 180° vertical (ϕ_H , ϕ_L) range are illustrated as following figure.

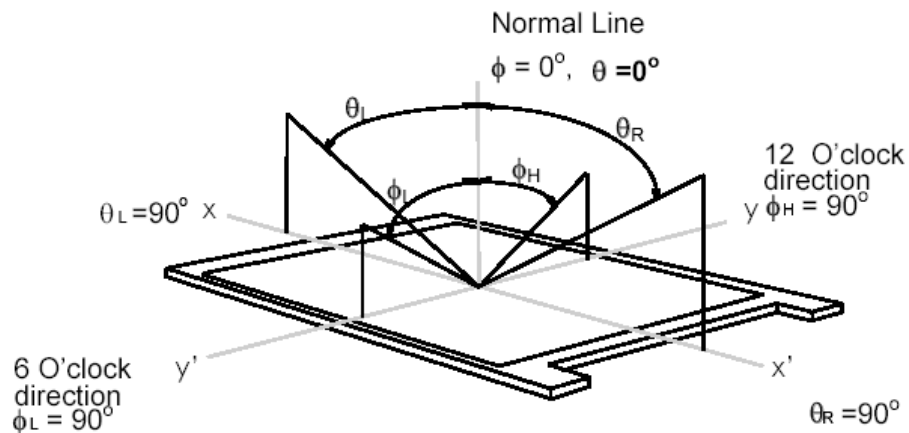


Fig. 2-3

Note 5 : Definition of 9 points position on Active Area

The luminance uniformity of 9 points is defined by dividing the maximum luminance value by the minimum luminance value at full white condition.

$$\text{Luminance Uniformity (\%)} = \frac{\text{Minimum Brightness of nine points}}{\text{Maximum Brightness of nine points}}$$

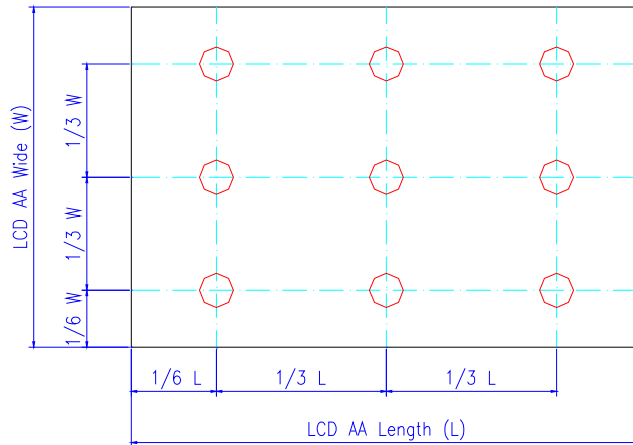


Fig.2-4

3. Functional Block Diagram

The following diagram shows the functional block of the G070VVN01.2 color TFT/LCD module.

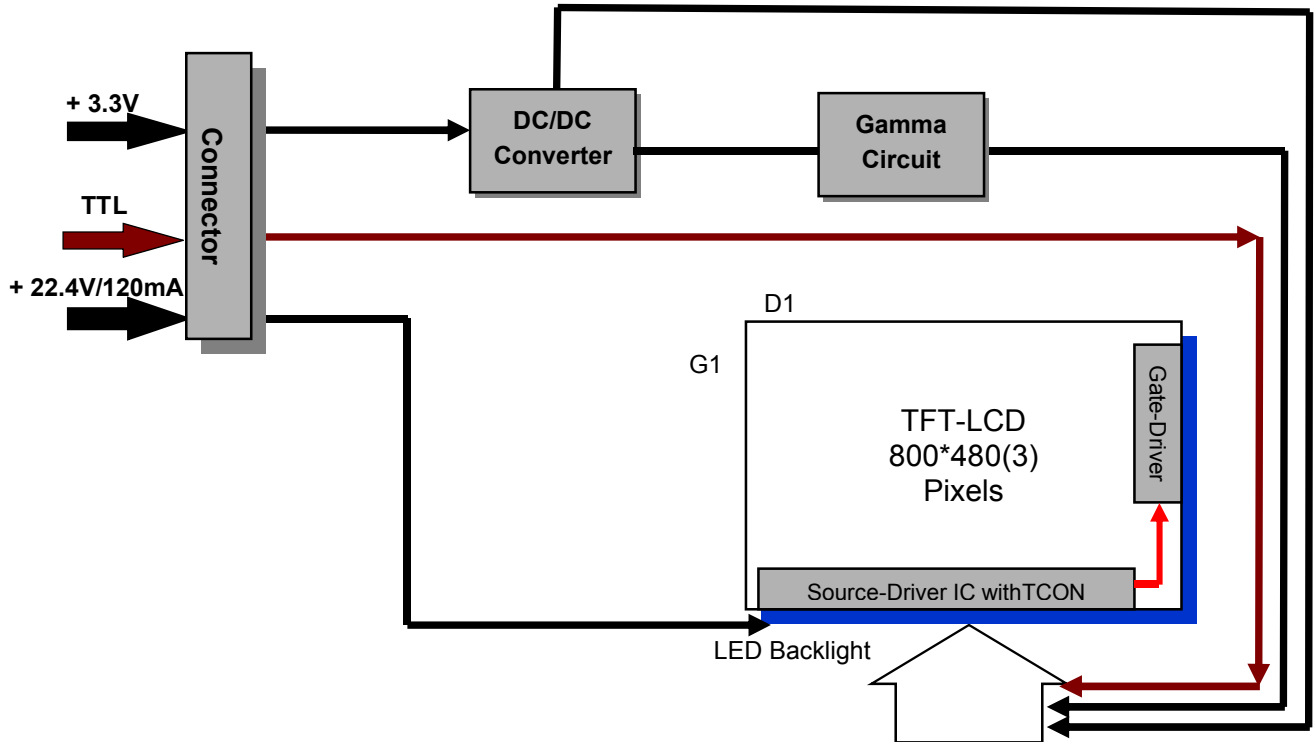


Fig. 3-1

4. Absolute Maximum Ratings

4.1 Absolute Ratings of Driving Condition

Following characteristics are measured under stable condition at 25 (Room Temperature).

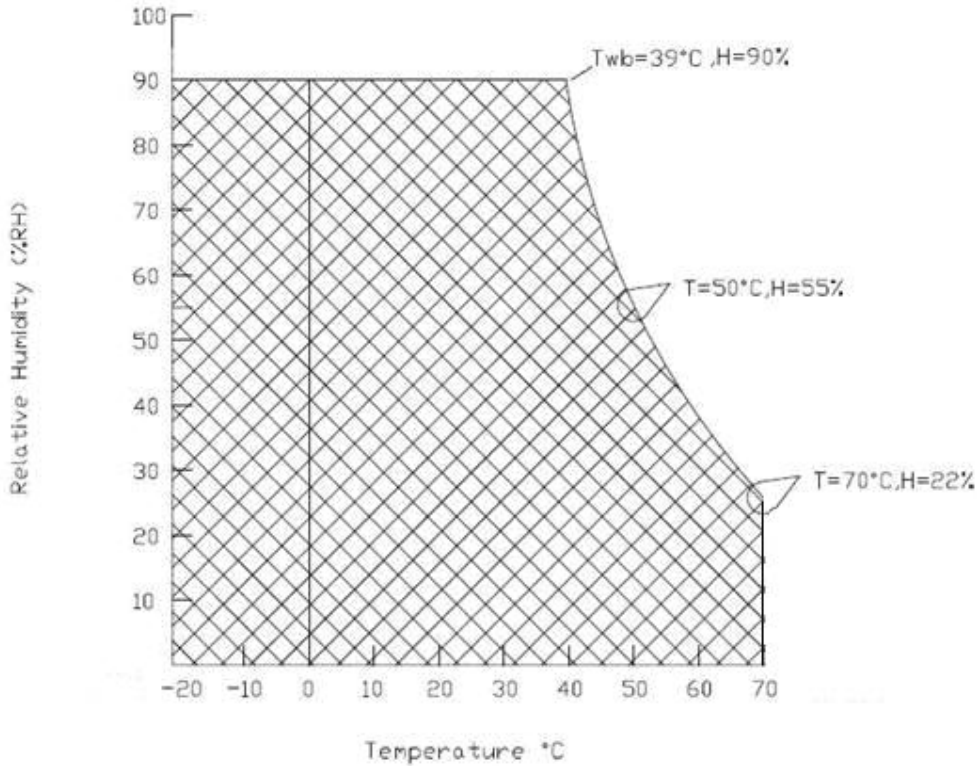
Parameter	Symbol	Min	Max	Unit	Remark
Logic/LCD Drive Voltage	VDD	-0.3	4.5	V	
LCD Input Signal Voltage	VIN	-0.3	4.5	V	
LED BLU Drive Current	I _{LED}	-	180	mA	

4.2 Absolute Ratings of Environment

Parameter	Symbol	Min	Max	Unit	Remark
Operating Temperature	TOP	-20	70		Note 1, 2
Storage Temperature	TST	-30	80		Note 1

Note 1 : Maximum Wet-Bulb should be 39 and no condensation.

Note 2 : Only operation is guaranteed. Optical performance should be evaluated at 25 only.



5. Electrical Characteristics

5.1 TFT-LCD Driving Condition

Following characteristics are measured under stable condition at 25 (Room Temperature).

Parameter	Symbol	Min	Typ	Max	Units	Remark
Analog/LCD Drive Voltage	VDD	3.0	3.3	3.6	V	
VDD Current Normal Mode	IVDD	-	160	197	mA	Note 1
VDD Power Normal Mode	PVDD	-	528	650	mW	
VDD Current Standby Mode	IVDD	-	2.5	3.2	mA	Note 2
VDD Power Standby Mode	PVDD	-	8.3	11.5	mW	

Note 1 : Display all color bar pattern under VDD = 3.3V, frame frequency = 60Hz.

Note 2 : Input signals shall be low or Hi-Z.

5.2 Backlight Unit Driving Condition

Following characteristics are measured under stable condition at 25 (Room Temperature).

Parameter	Symbol	Min	Typ	Max	Units	Remark
Input Voltage	V _{LED}	-	22.4	25.2	V	
Input Current	I _{LED}	-	120	-	mA	
Power Consumption	P _{LED}	-	2.688	3.024	W	
LED Lifetime	LED _L	30000	-	-	Hrs	

Note 1 : Backlight unit composed of 14 LEDs. (2 strings, 7 pcs for each string)

Note 2 : The definition of LED lifetime is when B/L continues to operate under typical driving current, duty 100% and ambient temperature = 25 until the brightness becomes 50% of its original value.

Note 3 : Operating LED under high temperature, humidity environment and driving current will reduce lifetime and lead to color shift.



Fig. 5-1

6. Signal Characteristic

6.1 Pixel Format Image

Following figure shows the relationship between input signal and LCD pixel format.

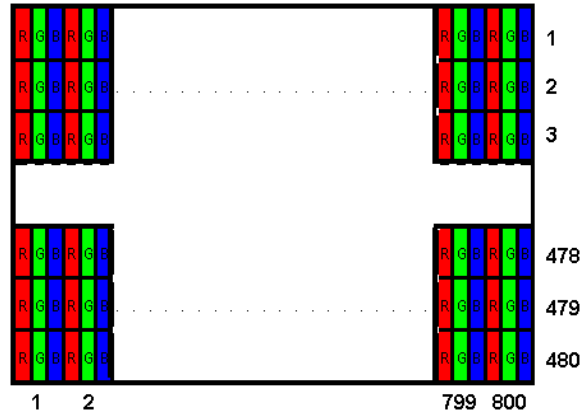
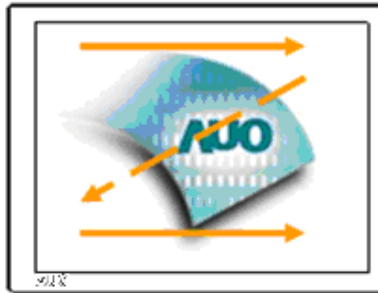


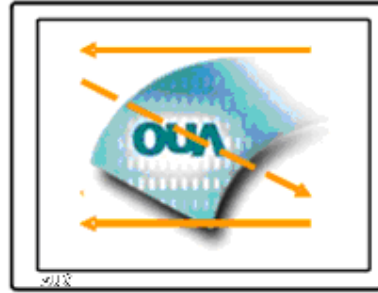
Fig. 6-1

6.2 Scanning Direction

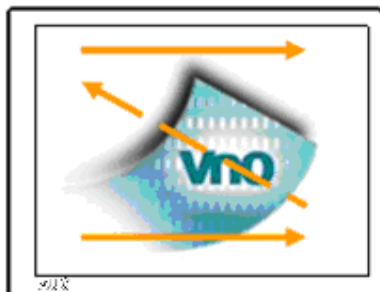
The following figures show the image seen from the front view. The arrow indicates the direction of scan.



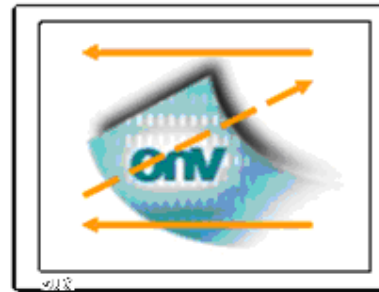
SHLR = High; UPDN = Low



SHLR = Low; UPDN = Low



SHLR = High; UPDN = High



SHLR = Low; UPDN = High

Fig. 6-2

Note 1: TFT-LCD interface signal description is shown in section

6.3 The Input Data Format

This product displays 16.2M colors in terms of the 256 grey levels on RGB respectively.

Display colors		Data signal (0 : Low level, 1: High level)																							
		R7	R6	R5	R4	R3	R2	R1	R0	G7	G6	G5	G4	G3	G2	G1	G0	B7	B6	B5	B4	B3	B2	B1	B0
Basic colors	Black	0	0	0	0	0	0	0	0	0	0	0	0	0	0	0	0	0	0	0	0	0	0	0	0
	Blue	0	0	0	0	0	0	0	0	0	0	0	0	0	0	0	0	1	1	1	1	1	1	1	1
	Red	1	1	1	1	1	1	1	1	0	0	0	0	0	0	0	0	0	0	0	0	0	0	0	0
	Magenta	1	1	1	1	1	1	1	1	0	0	0	0	0	0	0	0	1	1	1	1	1	1	1	1
	Green	0	0	0	0	0	0	0	0	1	1	1	1	1	1	1	1	0	0	0	0	0	0	0	0
	Cyan	0	0	0	0	0	0	0	0	1	1	1	1	1	1	1	1	1	1	1	1	1	1	1	1
	Yellow	1	1	1	1	1	1	1	1	1	1	1	1	1	1	1	1	0	0	0	0	0	0	0	0
	White	1	1	1	1	1	1	1	1	1	1	1	1	1	1	1	1	1	1	1	1	1	1	1	1
Red grayscale	Black	0	0	0	0	0	0	0	0	0	0	0	0	0	0	0	0	0	0	0	0	0	0	0	0
	Dark	0	0	0	0	0	0	0	1	0	0	0	0	0	0	0	0	0	0	0	0	0	0	0	0
	↕																								
	bright	1	1	1	1	1	1	0	1	0	0	0	0	0	0	0	0	0	0	0	0	0	0	0	0
	Red	1	1	1	1	1	1	1	0	0	0	0	0	0	0	0	0	0	0	0	0	0	0	0	0
Green grayscale	Black	0	0	0	0	0	0	0	0	0	0	0	0	0	0	0	0	0	0	0	0	0	0	0	0
	Dark	0	0	0	0	0	0	0	0	0	0	0	0	0	0	1	0	0	0	0	0	0	0	0	0
	↕																								
	bright	0	0	0	0	0	0	0	0	1	1	1	1	1	1	0	1	0	0	0	0	0	0	0	0
	Green	0	0	0	0	0	0	0	0	1	1	1	1	1	1	1	1	0	0	0	0	0	0	0	0
Blue grayscale	Black	0	0	0	0	0	0	0	0	0	0	0	0	0	0	0	0	0	0	0	0	0	0	0	0
	Dark	0	0	0	0	0	0	0	0	0	0	0	0	0	0	0	0	0	0	0	0	0	0	0	1
	↕																								
	bright	0	0	0	0	0	0	0	0	0	0	0	0	0	0	0	0	1	1	1	1	1	1	0	1
	Blue	0	0	0	0	0	0	0	0	0	0	0	0	0	0	0	0	1	1	1	1	1	1	1	1

6.4 TFT- LCD Pin Assignment Description

Recommended connector: FA5B050HP1

Pin no	Symbol	I/O	Description	Remark
1	VDD	P	Power supply, 3.3V(typical)	
2	VDD	P	Power supply, 3.3V(typical)	
3	NC	-	No connection. Please leave it open or connect to ground	
4	GND	G	Power ground	
5	RSTB	I	Global reset. Active Low to enter Reset State. (Normally pull high) Suggest to connecting with an RC reset circuit for stability. Normally pull high.	Note2
6	STBYB	I	Standby mode. Normally pulled high. STBYB = "H", normal operation STBYB = "L", timing controller, source driver will turn off, all output are high-Z.	
7	GND	I	Power ground	
8	UPDN	I	Gate up or down scan control. Normally pulled low. UPDN = "H", up shift: G480 → ... → G2 → G1. UPDN = "L", down shift: G1 → G2 → ... → G480.	
9	SHLR	I	Source right or left control. Normally pulled high. SHLR = "H", Shift right: first data =S1→S2→...→ S800 = last data. SHLR = "L", Shift left: last data =S1←S2←...← S800 = first data.	
10	DITHB	I	Dithering function enable control. Normally pulled high. DITHB = "H", Disable internal dithering function. DITHB = "L", Enable internal dithering function.	
11	MODE	I	DE/SYNC mode select. Normally pulled high. MODE = "H" : DE mode. MODE = "L" : HSD/VSD mode.	
12	GND	G	Power ground	
13	R0	I	Red data (LSB)	
14	R1	I	Red data	
15	R2	I	Red data	
16	R3	I	Red data	
17	R4	I	Red data	
18	R5	I	Red data	
19	R6	I	Red data	
20	R7	I	Red data (MSB)	
21	GND	G	Power ground	
22	G0	I	Green data (LSB)	
23	G1	I	Green data	
24	G2	I	Green data	
25	G3	I	Green data	
26	G4	I	Green data	
27	G5	I	Green data	
28	G6	I	Green data	
29	G7	I	Green data (MSB)	

30	GND	G	Power ground	
31	B0	I	Blue data (LSB)	
32	B1	I	Blue data	
33	B2	I	Blue data	
34	B3	I	Blue data	
35	B4	I	Blue data	
36	B5	I	Blue data	
37	B6	I	Blue data	
38	B7	I	Blue data (MSB)	
39	GND	G	Power ground	
40	CLKIN	I	Pixel clock , rising latch	
41	GND	G	Power ground	
42	DEN	I	Data input enable. Active high to enable the data input bus under "DE mode". Normally pulled Low.	
43	GND	G	Power ground	
44	HSD	I	Horizontal sync input. Negative polarity.	
45	GND	G	Power ground	
46	VSD	I	Vertical sync input. Negative polarity.	
47	GND	G	Power ground	
48	NC	-	No connection. Please leave it open or connect to ground	
49	LED+	P	Power supply for LED	
50	LED-	P	Power supply for LED	

Note : I: Digital signal input pin; P: Power pin; G: Ground pin;

Note2 : Global reset normally pulled high. Suggest to connecting with an RC (R=10K ohm, C=1uF) reset circuit for stability.

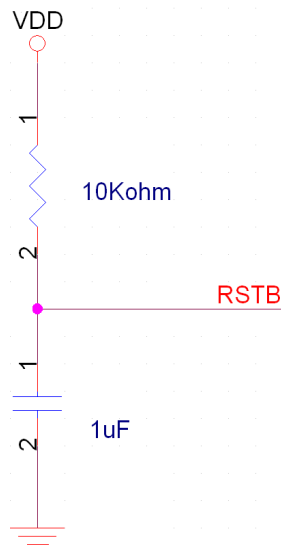


Fig. 6-3 Active Low

6.5 Power on/off sequence

The LCD adopts high voltage driver IC, so it could be permanently damaged under a wrong power on/off sequence. The suggested LCD power sequence is below:

Power on sequence:

VDD → RSTB → STBYB → Digital input (Data/DCLK/DE) → BLKEN

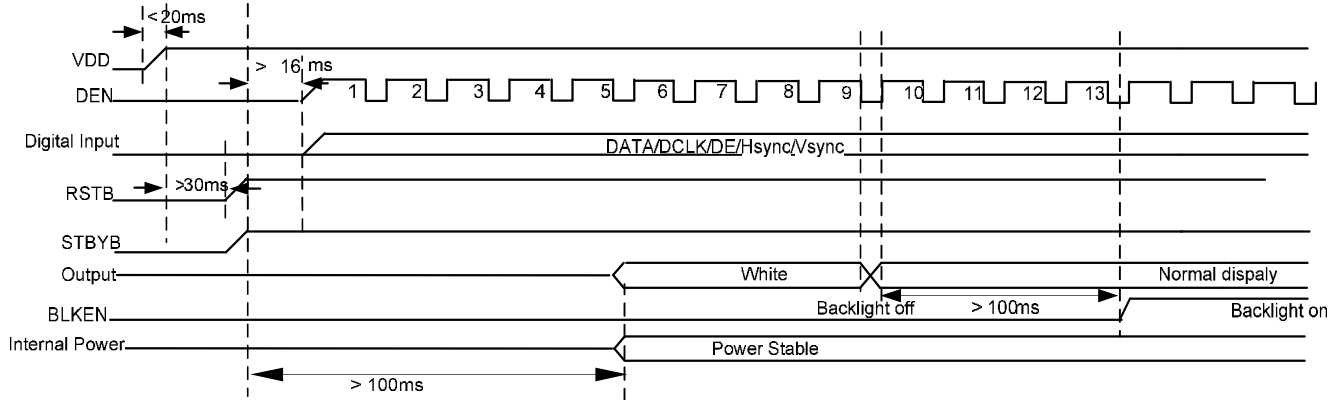


Fig. 6-4

Power Off sequence :

BLKEN → STBYB → Digital input (Data/DCLK/DE)&Power

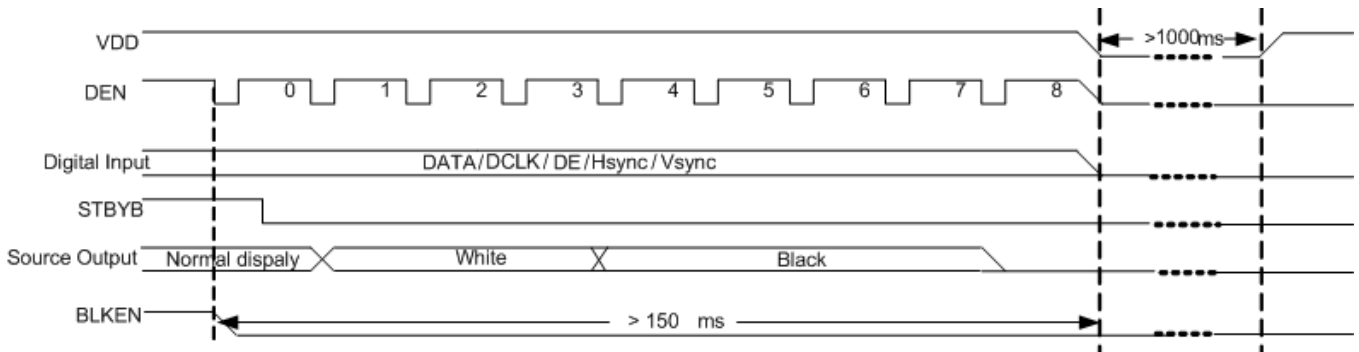


Fig. 6-5

6.6 TFT- LCD Driving Timing

6.6.1 Digital Signal Timing Characteristic

Item	Symbol	Min	Typ	Max	Unit	Remark
Clock frequency	dclk	-	33.3	45	MHZ	
DCLK cycle time	Tcph	22	30	-	ns	
DCLK pulse duty	Tcwh	40	50	60	%	
Vertical display area	Tvd	480	480	480	H	
Vertical period area	Tv	517	525	712	H	
Vertical blanking area	Tvb	42	45	232	H	
Vertical pulse width	Tvw	1	1	3	H	Tvw+Tve=32H is fixed
Vertical back porch	Tve	31	31	29	H	
Vertical front porch	Tvf	5	13	200	H	
Horizontal display area	Thd	800	800	800	dclk	
Horizontal period area	Th	908	928	1088	dclk	
Horizontal blanking area	Thb	108	128	288	dclk	
Horizontal pulse width	Thw	1	48	87	dclk	Thw+The=88dclk is fixed
Horizontal back porch	The	87	40	1	dclk	
Horizontal front porch	Thf	20	40	200	dclk	
Data setup time	Tdsu	8	-	-	ns	
Data hold time	Tdsd	8	-	-	ns	
VSD setup time	Tvst	8	-	-	ns	
VSD hold time	Tvhd	8	-	-	ns	
HSD setup time	Thst	8	-	-	ns	
HSD hold time	Thhd	8	-	-	ns	
DE setup time	Tesu	8	-	-	ns	
DE hold time	Tehd	8	-	-	ns	

Note : Recommended frame rate is 60 Hz.

6.6.2 Digital Signal Timing Diagram

a. Clock and Data Timing of Input :

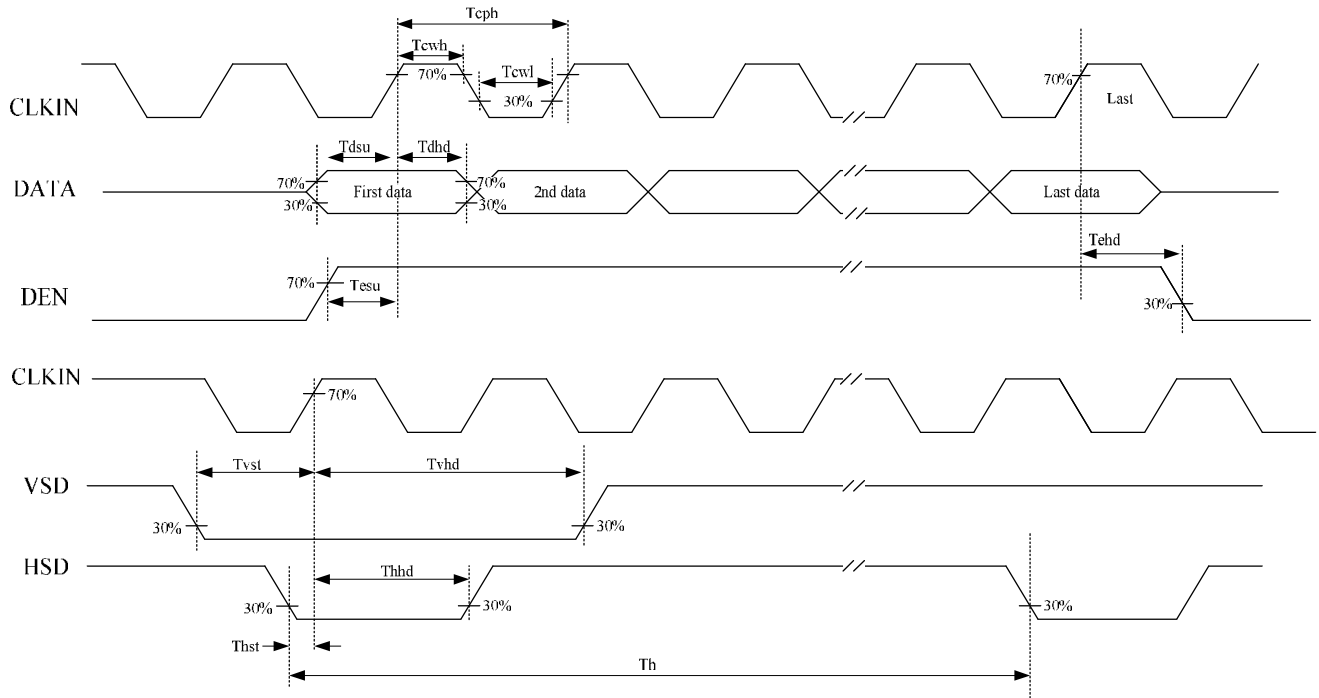


Fig. 6-6

b. Vertical Timing of Input (DE Mode)

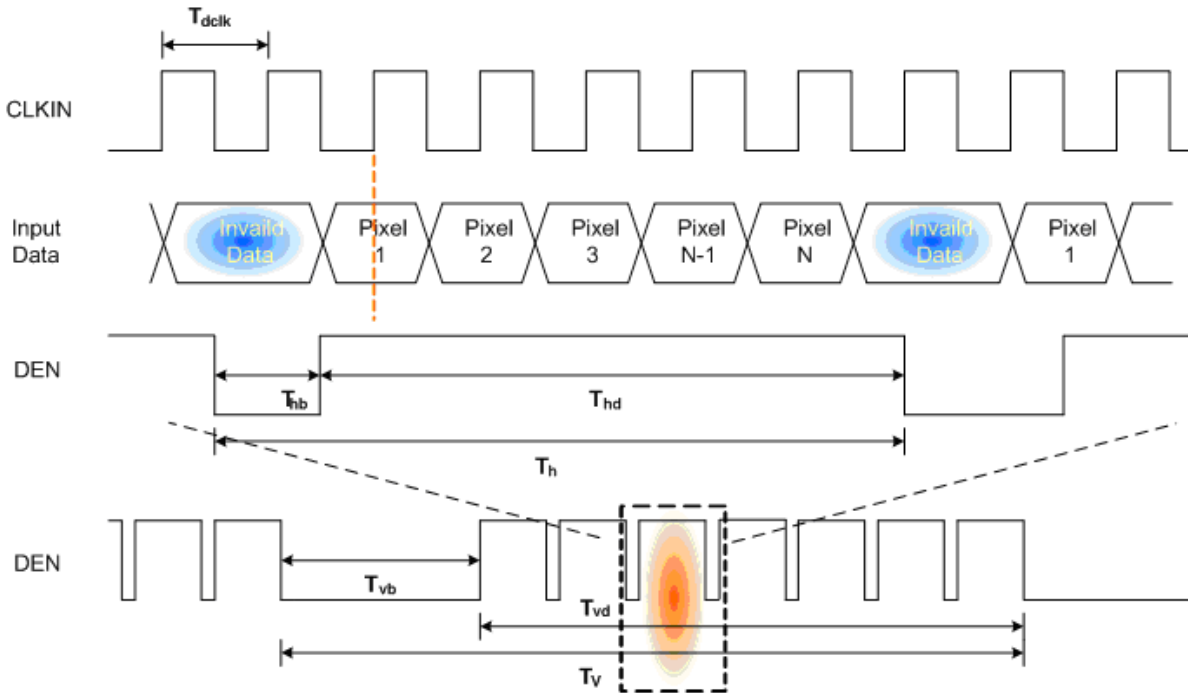


Fig. 6-7

c. Vertical Timing of Input (HV Mode)

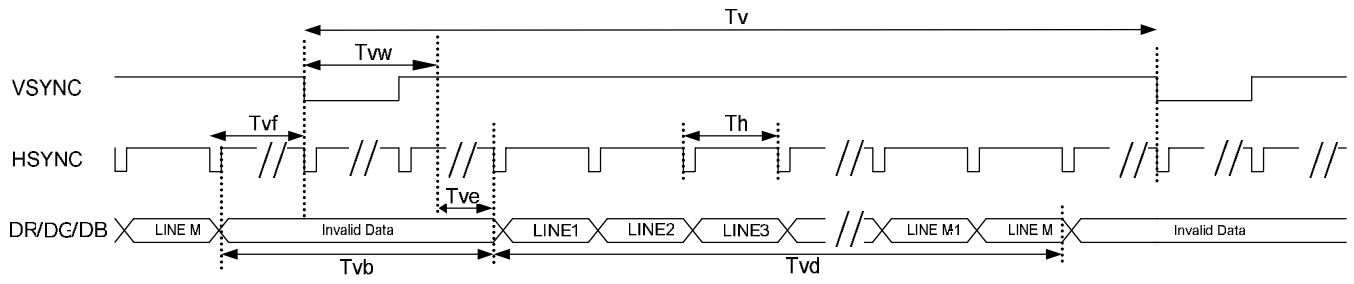


Fig. 6-8

d. Horizontal Timing of Input (HV Mode)

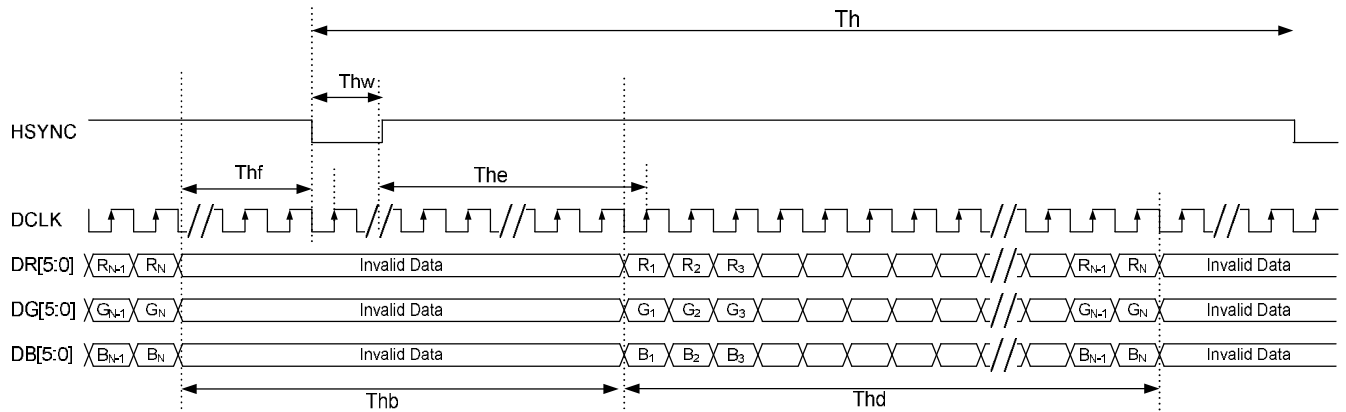


Fig. 6-9

7. Reliability Test Criteria

Test Items	Required Condition			Remark
High Temperature Operation	70	240Hours	Operation	
Low Temperature Operation	-20	240Hours	Operation	
High Temperature Storage	80	240Hours	Non-operation	
Low Temperature Storage	-30	240Hours	Non-operation	
High temperature and high humidity	60 , 90% RH	240Hours	Operation	
Thermal Shock	-30 /60 min ,70 /60 min ,50cycles		Non-operation	
Mechanical shock	50G, 20ms, Half-sine wave, Once for each direction. (±x, ±y, ±z)		Non-operation	
Vibration	1.5G, 10~200~10Hz, Sine wave, 30min/axis (X, Y, Z)		Non-operation	
On/off	On/10 sec, off/10 sec, 30,000 cycles			
Electrostatic discharge	Contact = ± 8 kV, class B (R=330,C=150pF) Air = ± 15 kV, class B (R=330,C=150pF) 1sec, 8 points, 25times/point			

Note 1 : Each test is done by new TFT-LCD module. Don't use the same TFT-LCD module repeatedly for reliability test.

Note 2 : The reliability test is performed only to examine the TFT-LCD module capability.

Note 3 : In the standard condition, there is not display function NG issue occurred. All cosmetic specifications are judged before the reliability stress. To inspect TFT-LCD module after reliability test, please store it at room temperature and room humidity for 24 hours at least in advance.

Note 4 : There should be no condensation on the surface of module during test.

Note 5 : Short time operation between -20 ~-30 doesn't provide full performance but a correct image on the LCD. The LCD is guaranteed to suffer no permanent damage.

Note 6 : The fixture of Vibration and Shock test should be hard and rigid enough in order to protect from module twisting or bending issue.

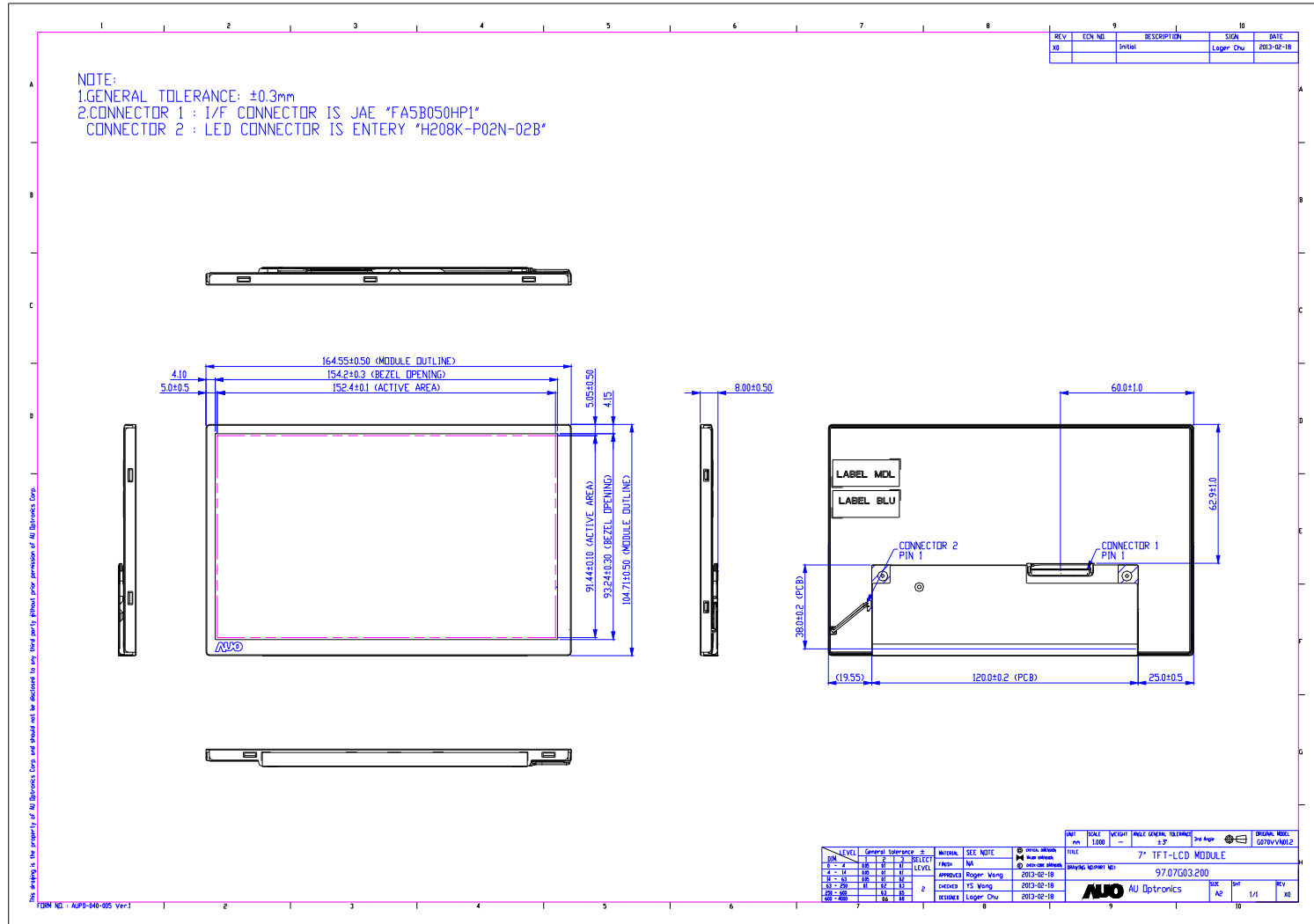
Note 7 : ESD criteria is as below :

Class A	Normal operation. No degradation. No failures
Class B	Some performance degradation allowed. No data lost. Self-recoverable. No hardware failures.
Class C	Temporary performance degradation. Recovery by operator is acceptable. No hardware failures.
Class D	Hardware failures.



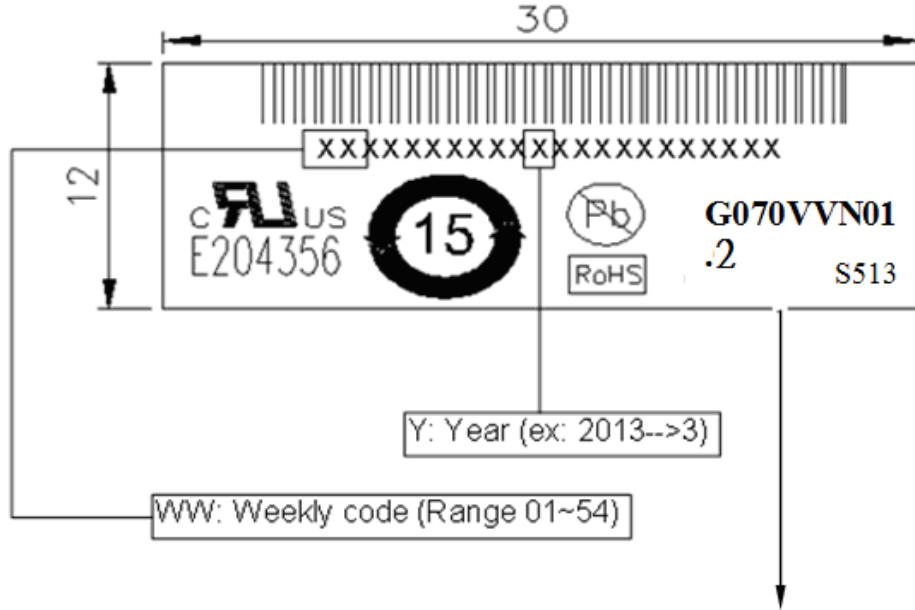
G070VVN01.2

8. Mechanical Characteristics



9. Label and Packaging

9.1 Shipping Label (on the rear side of TFT-LCD display)



1	2	3	4	5	6	7	8	9	10	11
G	0	7	0	V	V	N	0	1	.	2
Application A: AV C: Car G: GD	Size (7.0 inch)			Resolution (WVGA, 800×480)	Technology (MVA)	Product Feature (Normal)	Serial No.		NA	Version

Fig. 9-1 SN Label

9.2 Packing form

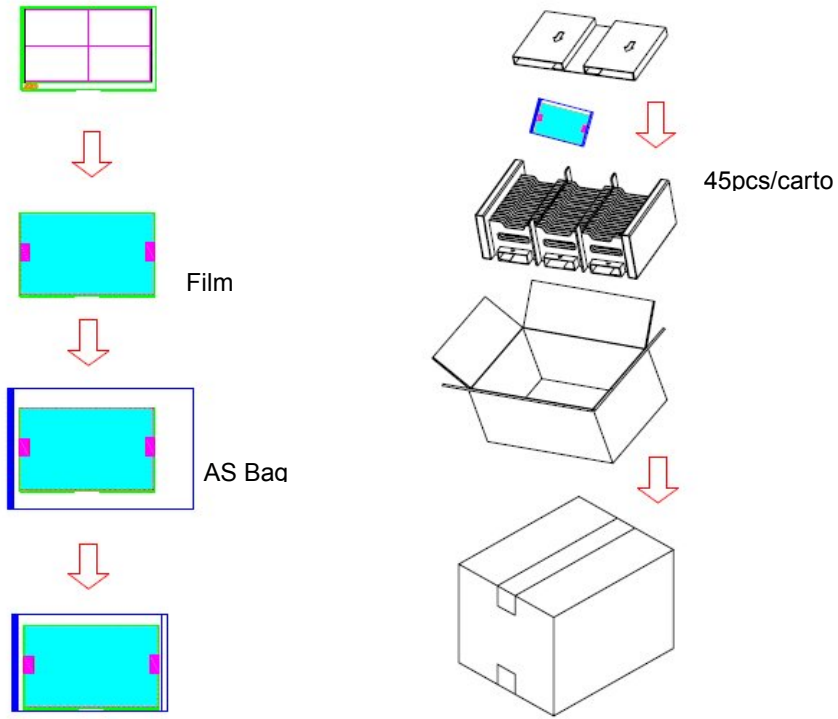


Fig. 9-2

Max capacity : 45 TFT-LCD module per carton

Max weight: 10.0 kg per carton

Outside dimension of carton: 608mm(L)* 361mm(W)*226mm(H)

Pallet size: 1230 mm * 1110 mm * 135mm

9.3 Palletizing sequence

Max module by air : (2 *3) *5 layers, one pallet put 30 boxes, total 1350pcs module

Max module by sea : (2 *3) *5 layers, one pallet put 30 boxes, total 1350pcs module

Max module by sea_HQ: (2 *3) *5 layers, one pallet put 30 boxes, total 1350pcs module

	MAX_SHIPPING BY AIR	MAX_SHIPPING BY SEA	MAX_SHIPPING BY SEA_HQ
MODULE/CARTON	45	45	45
CARTON/LAYER	6	6	6
LAYER/PALLET	5	5	5
MODULE/PALLET	1350	1350	1350
CARTON_SIZE(MM)	608(L)*361(W)*226(H)	608(L)*361(W)*226(H)	608(L)*361(W)*226(H)
PALLET_SIZE(MM)	1230(L)*1110(W)*135(H)	1230(L)*1110(W)*135(H)	1230(L)*1110(W)*135(H)
TOTAL PALLET HEIGHT(MM)	1265	1265	1265
TOTAL PALLET WEIGHT(KG)	313	313	313

ONE PALLET SHIPMENT EXAMPLE SHIPPING BY AIR USED

TWO PALLETS SHIPMENT EXAMPLE SHIPPING BY SEA USED

TWO PALLETS SHIPMENT EXAMPLE SHIPPING BY SEA_HQ USED

10 Safety

10.1 Standard

The TFT-LCD Module will be satisfied all requirements for compliance with UL 60950 (U.S.A. Information Technology Equipment).

10.1.1 Keen Edge Requirements

There will be no keen edges or corners on the display assembly that could cause injury.

10.1.2 Flammability

All components including electrical components that do not meet the flammability grade UL94-V1 in the TFT-LCD Module.

The critical components of safety will be compliance with UL 60950 requirement exception approval process.

The printed circuit board will be made from material rated 94-V1 or better. The actual UL flammability rating will be printed on the printed circuit board.

10.2 Capacitors

If any polarized capacitors are used in the TFT-LCD module, provisions will be made to keep them from being inserted backwards.

10.3 National Test Lab Requirement

The TFT-LCD Module will satisfy all requirements for compliance to UL 60950 (U.S.A. Information Technology Equipment).