

TFT-Display Datenblatt

Modell FG050700DSSWDGT1

Kurzdaten

Hersteller	Datamagic
Diagonale	5,7" / 14,5cm
Format	4:3
Auflösung	320x240
Backlight	LED/320cd/m ²
Temperatur	-20...+70°C (Betrieb)



Confidential Document

DATA IMAGE CORPORATION

TFT Module Specification

ITEM NO.: FG050700DSSWDGT1

Table of Contents

1. COVER & CONTENTS	1
2. RECORD OF REVISION	2
3. APPLICATION.....	3
4. GENERAL SPECIFICATIONS	3
5. ELECTRICAL CHARACTERISTICS	3
6. BLOCK DIAGRAM	4
7. PIN CONNECTIONS	5
8. INTERFACE SPECIFICATIONS	6
9. OPTICAL CHARACTERISTIC	10
10. TOUCH PANEL CHARACTERISTICS	12
11. QUALITY ASSURANCE	13
12. LOT NUMBERING SYSTEM	14
13. LCM NUMBERING SYSTEM	14
14. PRECAUTIONS IN USE LCM	15
15. OUTLINE DRAWING	16
16. PACKAGE INFORMATION	17

Customer Companies	R&D Dept.	Q.C. Dept.	Eng. Dept.	Prod. Dept.
	<i>Alex</i>	<i>Eric</i>	<i>Gary</i>	<i>Huang</i>
Approved by	Version:	Issued Date:	Sheet Code:	Total Pages:
	A	2008/1/29		17

2. RECORD OF REVISION

Rev	Date	Item	Page	Comment
1	06/SEP/07			New Release.
2	17/SEP/07			1. Change PCB from Rev:C to Rev:D. 2. Add capacitor C42:1000pf/50V. 3. Change C18 from 270pf to 120pf. 4. Modify OUTLINE DRAWING from rev 1 to rev 2.
A	29/JAN/08	9,15	10,16	1. Modify OPTICAL CHARACTERISTIC data. 2. Modify OUTLINE DRAWING from rev 2 to rev A.

3. APPLICATION

Digital equipments which need color display, such as P.O.S, medical equipments and industrial equipments.

4. GENERAL SPECIFICATIONS

Parameter	Specifications	Unit
Display resolution	(320X R.G.B) (W) x 240(H)	dot
Active area	115.2(W) x 86.4(H)	mm
Screen size	5.7(Diagonal)	inch
Dot pitch	0.12(W) x 0.36(H)	mm
Color configuration	R.G.B. Stripe	
Overall dimension	144 (W) x 104.6(H) x 14.8(D)	mm
Weight	242	g
Surface treatment	Anti-glare	
View Angle direction	12 o'clock	
Our components and processes are compliant to RoHS standard		

5. ELECTRICAL CHARACTERISTICS

5.1 Absolute Maximum Ratings

GND=0V

Parameter	Symbol	MIN.	MAX.	Unit	Remark
Power supply voltage	V _{CC}	-0.3	+7.0	V	
Logic input voltage	V _I	-0.3	V _{CC} +0.3	V	
Operating temperature	T _{op}	-20	70	°C	Ambient temperature
Storage temperature	T _{st}	-30	80	°C	Ambient temperature

5.2 TFT-LCD Driving Conditions

GND=0V , Ta=25°C

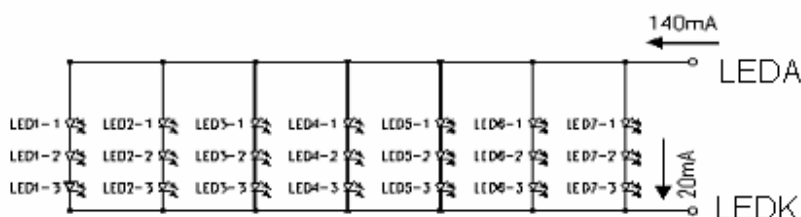
Parameter	Symbol	MIN.	Typ.	MAX.	Unit	Remark
Power Supply voltage	V _{CC}	+3.0	+3.3	+3.6	V	V _{CC} =3.3V
Power Supply Current	I _{CC}		130	150	mA	
"H" level logical input voltage	V _{IH}	0.7V _{CC}	--	3.6	V	
"L" level logical input voltage	V _{IL}	0V	--	0.3V _{CC}	V	

5.3 Backlight Driving Conditions

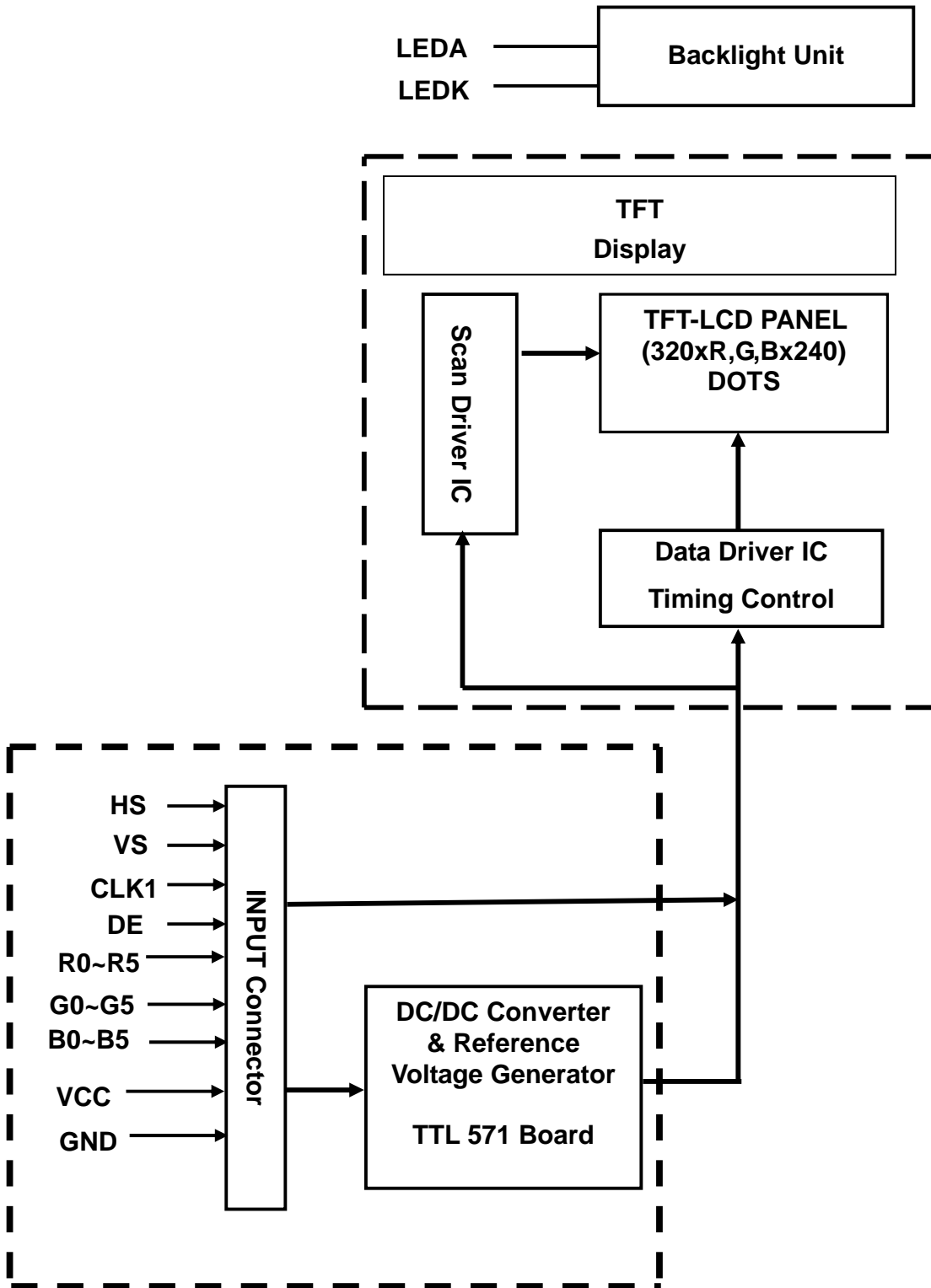
Parameter	Symbol	Min.	Typ.	Max.	Unit	Remark
LED voltage	V _{LED}	9.9	--	10.5	V	
LED current	I _{LED}	--	140	--	mA	
LED Life Time		20000	--	--	hr	

Note 1: The "LED life time" is defined as the module brightness decrease to 50% original brightness that the ambient temperature is 25 °C and I_L =140mA.

Note2: V_{LED}=LEDA-LEDK



6. BLOCK DIAGRAM

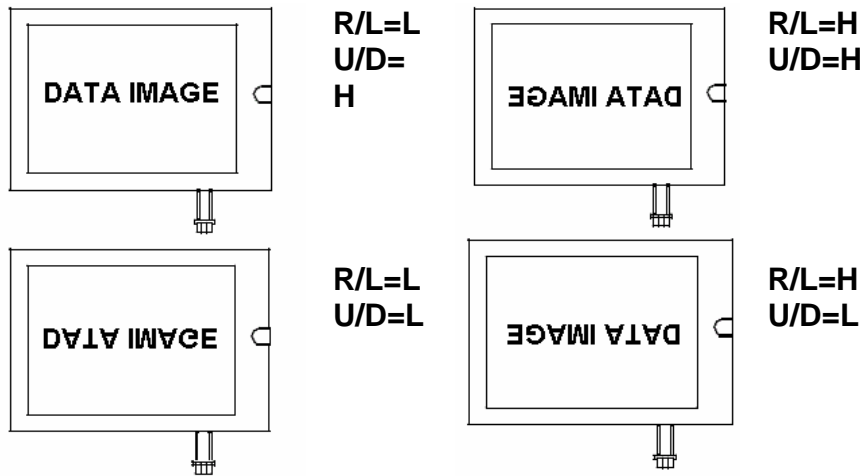


7. PIN CONNECTIONS

7.1 P1 Input Pins Connection (To TTL571 control board)

Pin No	Symbol	Function	Remark
1	GND	Ground for logic circuit	
2	CLK1	Data sampling clock	
3	HS (HSYNC)	Horizontal synchronous signal	
4	VS (VSYNC)	Vertical synchronous signal	
5	GND	Ground for logic circuit	
6	R0	Red pixel data(LSB)	
7	R1	Red pixel data	
8	R2	Red pixel data	
9	R3	Red pixel data	
10	R4	Red pixel data	
11	R5	Red pixel data(MSB)	
12	GND	Ground for logic circuit	
13	G0	Green pixel data(LSB)	
14	G1	Green pixel data	
15	G2	Green pixel data	
16	G3	Green pixel data	
17	G4	Green pixel data	
18	G5	Green pixel data(MSB)	
19	GND	Ground for logic circuit	
20	B0	Blue pixel data(LSB)	
21	B1	Blue pixel data	
22	B2	Blue pixel data	
23	B3	Blue pixel data	
24	B4	Blue pixel data	
25	B5	Blue pixel data(MSB)	
26	GND	Ground for logic circuit	
27	DE	Data Enable (connected to GND, if sync mode)	
28	Vcc	Power Supply : +3.3V	
29	Vcc	Power Supply : +3.3V	
30	R/L	Horizontal display mode select signal Left / Right Scan control input	*2
31	U/D	Vertical display mode select signal Up / Down Scan control input	*2
32	NC	No Connection	
33	GND	Ground for logic circuit	

*1 The horizontal display start timing is settled in accordance with a rising timing of DE signal. In case DE is fixed "Low", the horizontal start timing is determined as described in 8.1. Don't keep DE "High" during operation.



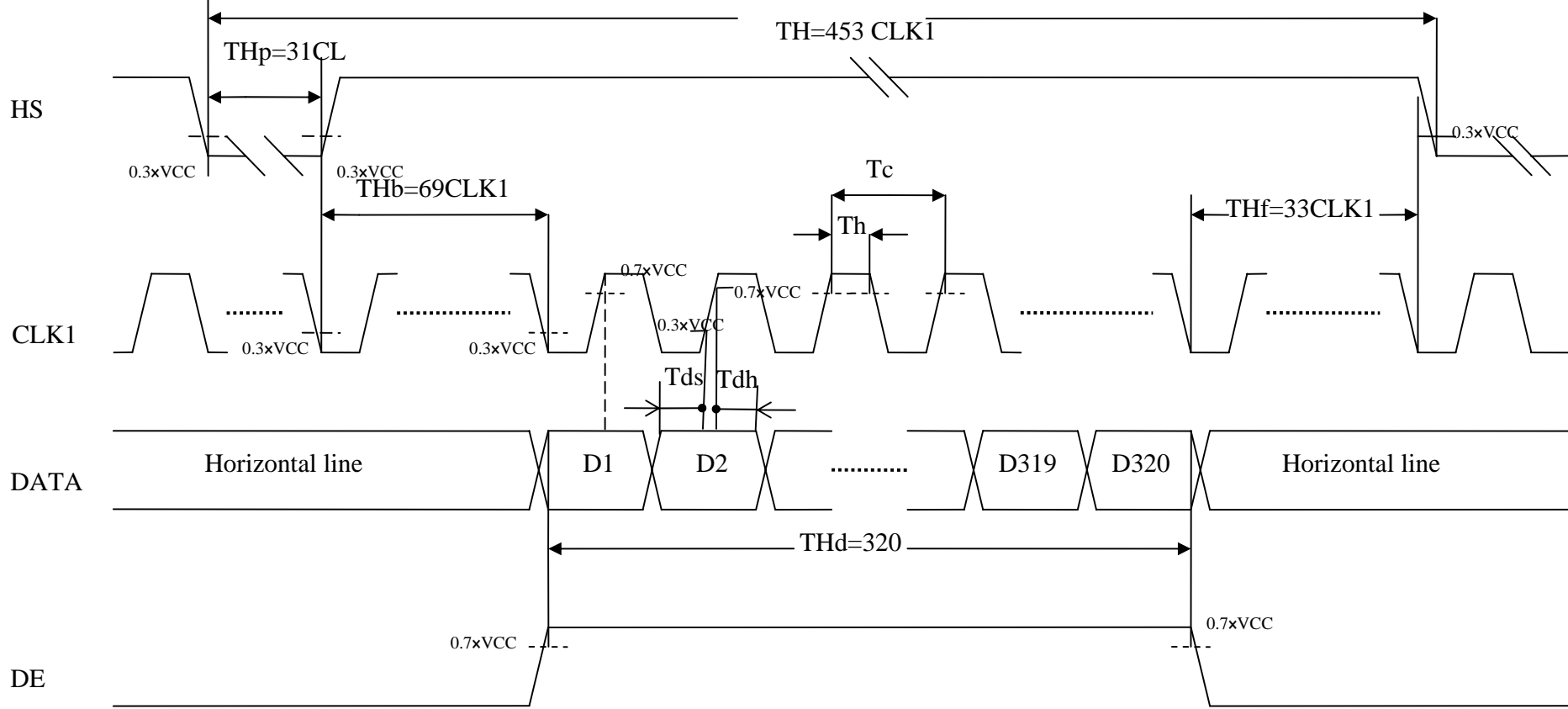
8. INTERFACE SPECIFICATIONS

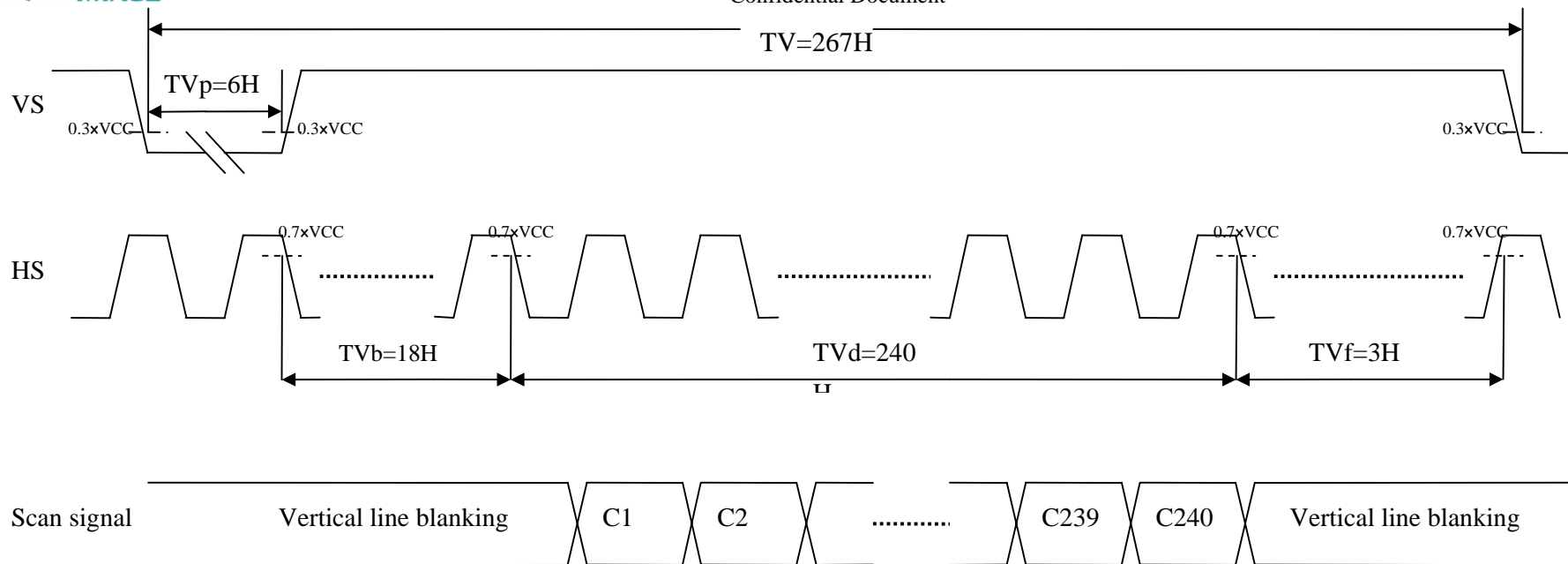
8.1 Input Signal Timing Specifications

Parameter		Symbol	MIN.	TYP.	MAX.	Unit	Remarks
CLK	Frequency	1/Tc		7.21		MHz	
	Duty ratio	Th/Tc	40	50	60	%	
DATA	Setup time	Tds	12			ns	
	Hold time	Tdh	12			ns	
Horizontal synchronizing	Period	TH	--	453	--	Clock	
	Pulse width	THp	--	31	--	Clock	
	Horizontal period	THd	--	320	--	Clock	
	Blank porch	THb	--	69	--	Clock	
	Front porch	THf	--	33	--	Clock	
Vertical synchronizing	Period	TV	--	267	--	Line	
	Pulse width	TVp	--	6	--	Line	
	Vertical period	TVd	--	240	--	Line	
	Blank porch	TVb	--	18	--	Line	
	Front porch	TVf	--	3	--	Line	

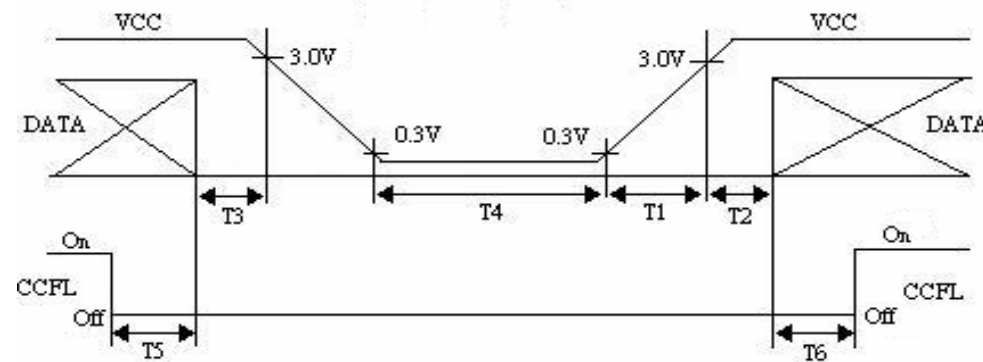
Note:

- ◇ In case of using the slow frequency, the deterioration of display flicker etc may occur.
- ◇ The timing characteristics are basically fixed as above.





8.2 Power Off/On Sequence Timing



Timing Specifications:

$0 < T1 \leq 15\text{ms}$

$T2 > 0.5\text{S}$

$0 < T3 \leq 0.1\text{S}$

$T4 > 1\text{S}$

$T5 > 0.1\text{S}$

$T6 > 0.1\text{S}$

8.3 Color Data Input Assignment

		Data Signal																	
		Red					Green					Blue							
R0		R5	R4	R3	R2	R1	R0	G5	G4	G3	G2	G1	G0	B5	B4	B3	B2	B1	B0
Basic Colors	Black	0	0	0	0	0	0	0	0	0	0	0	0	0	0	0	0	0	0
	Red	1	1	1	1	1	1	0	0	0	0	0	0	0	0	0	0	0	0
	Green	0	0	0	0	0	0	1	1	1	1	1	1	0	0	0	0	0	0
	Blue	0	0	0	0	0	0	0	0	0	0	0	0	1	1	1	1	1	1
	Cyan	0	0	0	0	0	0	1	1	1	1	1	1	1	1	1	1	1	1
	Magenta	1	1	1	1	1	1	0	0	0	0	0	0	1	1	1	1	1	1
	Yellow	1	1	1	1	1	1	1	1	1	1	1	1	0	0	0	0	0	0
	White	1	1	1	1	1	1	1	1	1	1	1	1	1	1	1	1	1	1
Gray Scale of Red	Red(0) / Dark	0	0	0	0	0	0	0	0	0	0	0	0	0	0	0	0	0	0
	Red(1)	0	0	0	0	0	1	0	0	0	0	0	0	0	0	0	0	0	0
	Red(2)	0	0	0	0	1	0	0	0	0	0	0	0	0	0	0	0	0	0
	:	:	:	:	:	:	:	:	:	:	:	:	:	:	:	:	:	:	:
	:	:	:	:	:	:	:	:	:	:	:	:	:	:	:	:	:	:	:
	Red(61)	1	1	1	1	0	1	0	0	0	0	0	0	0	0	0	0	0	0
	Red(62)	1	1	1	1	1	0	0	0	0	0	0	0	0	0	0	0	0	0
	Red(63)	1	1	1	1	1	1	0	0	0	0	0	0	0	0	0	0	0	0
Gray Scale of Green	Green(0)/ Dark	0	0	0	0	0	0	0	0	0	0	0	0	0	0	0	0	0	0
	Green(1)	0	0	0	0	0	0	0	0	0	0	0	1	0	0	0	0	0	0
	Green(2)	0	0	0	0	0	0	0	0	0	0	1	0	0	0	0	0	0	0
	:	:	:	:	:	:	:	:	:	:	:	:	:	:	:	:	:	:	:
	:	:	:	:	:	:	:	:	:	:	:	:	:	:	:	:	:	:	:
	Green(61)	0	0	0	0	0	0	1	1	1	1	0	1	0	0	0	0	0	0
	Green(62)	0	0	0	0	0	0	1	1	1	1	1	0	0	0	0	0	0	0
	Green(63)	0	0	0	0	0	0	1	1	1	1	1	1	0	0	0	0	0	0
Gray Scale of Blue	Blue(0)/ Dark	0	0	0	0	0	0	0	0	0	0	0	0	0	0	0	0	0	0
	Blue (1)	0	0	0	0	0	0	0	0	0	0	0	0	0	0	0	0	0	1
	Blue (2)	0	0	0	0	0	0	0	0	0	0	0	0	0	0	0	0	1	0
	:	:	:	:	:	:	:	:	:	:	:	:	:	:	:	:	:	:	:
	:	:	:	:	:	:	:	:	:	:	:	:	:	:	:	:	:	:	:
	Blue (61)	0	0	0	0	0	0	0	0	0	0	0	0	1	1	1	1	1	0
	Blue (62)	0	0	0	0	0	0	0	0	0	0	0	0	1	1	1	1	1	0
	Blue (63)	0	0	0	0	0	0	0	0	0	0	0	0	1	1	1	1	1	1

Correspondence between Data and Display Position

	S001	S002	S003	S004	S005	S006	S007	S008	-----	S959	S960
C001	R001	G001	B001	R002	G002	B002	R003	G003		G320	B320
⋮											
C240	R001	G001	B001	R002	G002	B002	R003	G003		G320	B320

9. OPTICAL CHARACTERISTIC

9-1. Specification:

Item		Symbol	Condition	Min.	Typ.	Max.	Unit	Remark
Response time	Rise	Tr	$\theta=0^\circ$	-	15	30	ms	Note 4
	Fall	Tf		-	35	50	ms	
Contrast ratio		CR	At optimized viewing angle	300	350	-	-	Note 5
Viewing angle	Top	θ_{y+}	CR \geq 5	60	70	-	Deg.	Note 5,6
	Bottom	θ_{y-}		40	50	-		
	Left	θ_{x-}		60	70	-		
	Right	θ_{x+}		60	70	-		
Brightness			$\theta=0^\circ$	280	320	-	cd/m ²	Note 7
Uniformity				80	-	-	%	-
White chromaticity	X		$\theta=0^\circ$	0.25	0.30	0.35	-	Note 7
	y			0.30	0.35	0.40	-	

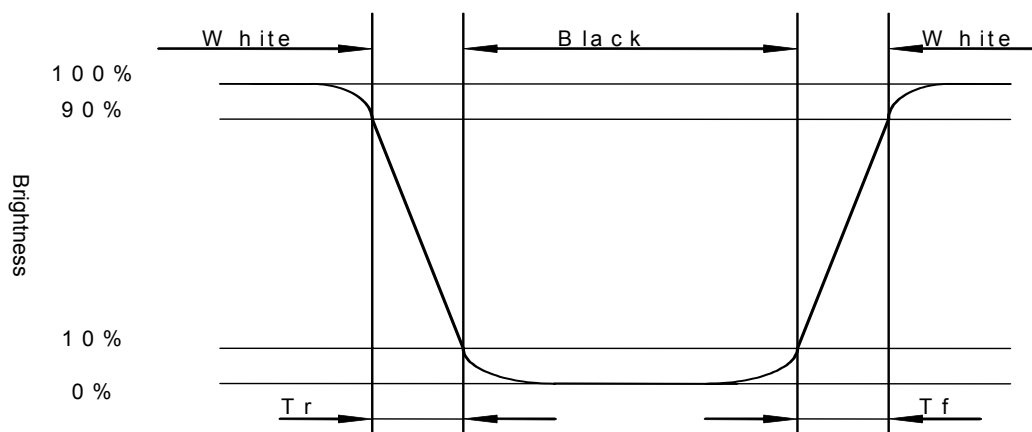
Note 1: Ambient temperature =25°C. $I_L = 140$ mA.

Note 2: To be measured in the dark room.

Note 3: To be measured on the center area of panel with a viewing cone of 1° by Topcon luminance meter BM-7A, after 2 minutes operation.

Note 4: Definition of response time:

The output signals of photo-detector are measured when the input signals are changed from "white" to "black"(rising time) and from "black" to "white"(falling time), respectively. The response time is defined as the time interval between the 10% and 90% of amplitudes. Refer to figure as shown below.



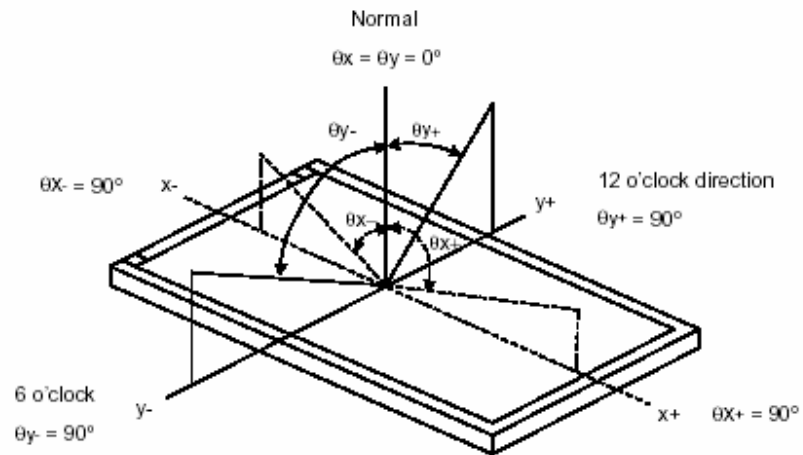
Note5: Definition of contrast ratio:

Contrast ratio is calculated with the following formula.

$$\text{Contrast ratio (CR)} = \frac{\text{Photo-detector output when LCD is at "White" state}}{\text{Photo-detector output when LCD is at "Black" state}}$$

Note 6. Definition of viewing angle:

Refer to figure as below.



Note 7. Measured at the center area of the panel when all the input terminals of LCD panel are electrically opened.

10. TOUCH PANEL CHARACTERISTICS

1. Input Method and Activation Force

Input Method	Average Activation Force
0.8mm dia. Delrin stylus	5gf~100gf
8.0mm dia. Silicon "finger"	5gf~100gf

2. Typical Optical Characteristics

ITEM	Parameter
Visible Light Transmission	≥80%
Haze	<10%

3. Electrical Specification

ITEM	Parameter
Operating Voltage	DC 5V
Contact current	According to individual design
Circuit close resistance	X 220Ω~690Ω
	Y 300Ω~820Ω
Circuit open resistance	≥20MΩ at 25V DC
Contact bounce	≤10ms
Linear Test	≤1.5%
Capacitance	<100nF

4. Linearity

ITEM	Parameter
Linear Test Specification Direction	X ≤1.5%
	Y ≤1.5%

5. Specification

ITEM	Parameter
Operating Temperature	-20°C~+70°C
Storage Temperature	-30°C~+80°C

6. Durability test:

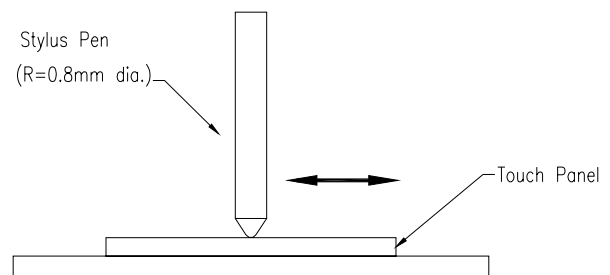
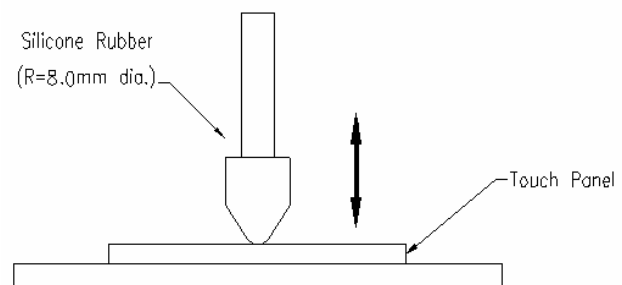
6.1 Touch panel is hit 1 millions times with a silicone rubber of R8 finger, hitting rate is by 250g at 2 times per second. The measurement must satisfy the following:

- Circuit close resistance: x 220Ω~690Ω ; y 300Ω~820Ω
- Circuit open resistance: ≥20MΩ at 25V DC
- Contact bounce: ≤10ms
- Linearity test: ≤1.5%

6.2 Stylus writing

Touch panel is drawn by R0.8 Delrin stylus pen, at 250g forces, repeat one inch by 100k times. The measurement must satisfy the following:

- Circuit close resistance: x 220Ω~690Ω ; y 300Ω~820Ω
- Circuit open resistance: ≥20MΩ at 25V DC
- Contact bounce: ≤10ms
- Linearity test: ≤1.5%



11. QUALITY ASSURANCE

11.1 Test Condition

11.1.1 Temperature and Humidity(Ambient Temperature)

Temperature : $25 \pm 5^{\circ}\text{C}$

Humidity : $65 \pm 5\%$

11.1.2 Operation

Unless specified otherwise, test will be conducted under function state.

11.1.3 Container

Unless specified otherwise, vibration test will be conducted to the product itself without putting it in a container.

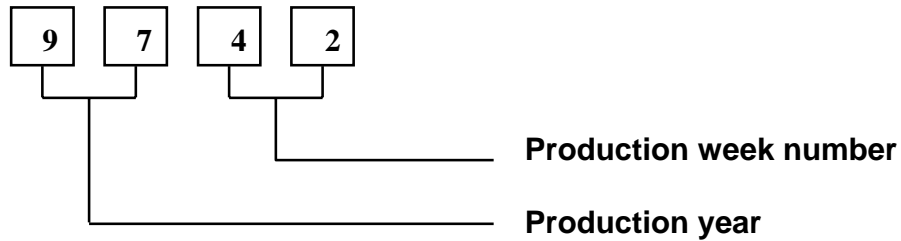
11.1.4 Test Frequency

In case of related to deterioration such as shock test. It will be conducted only once.

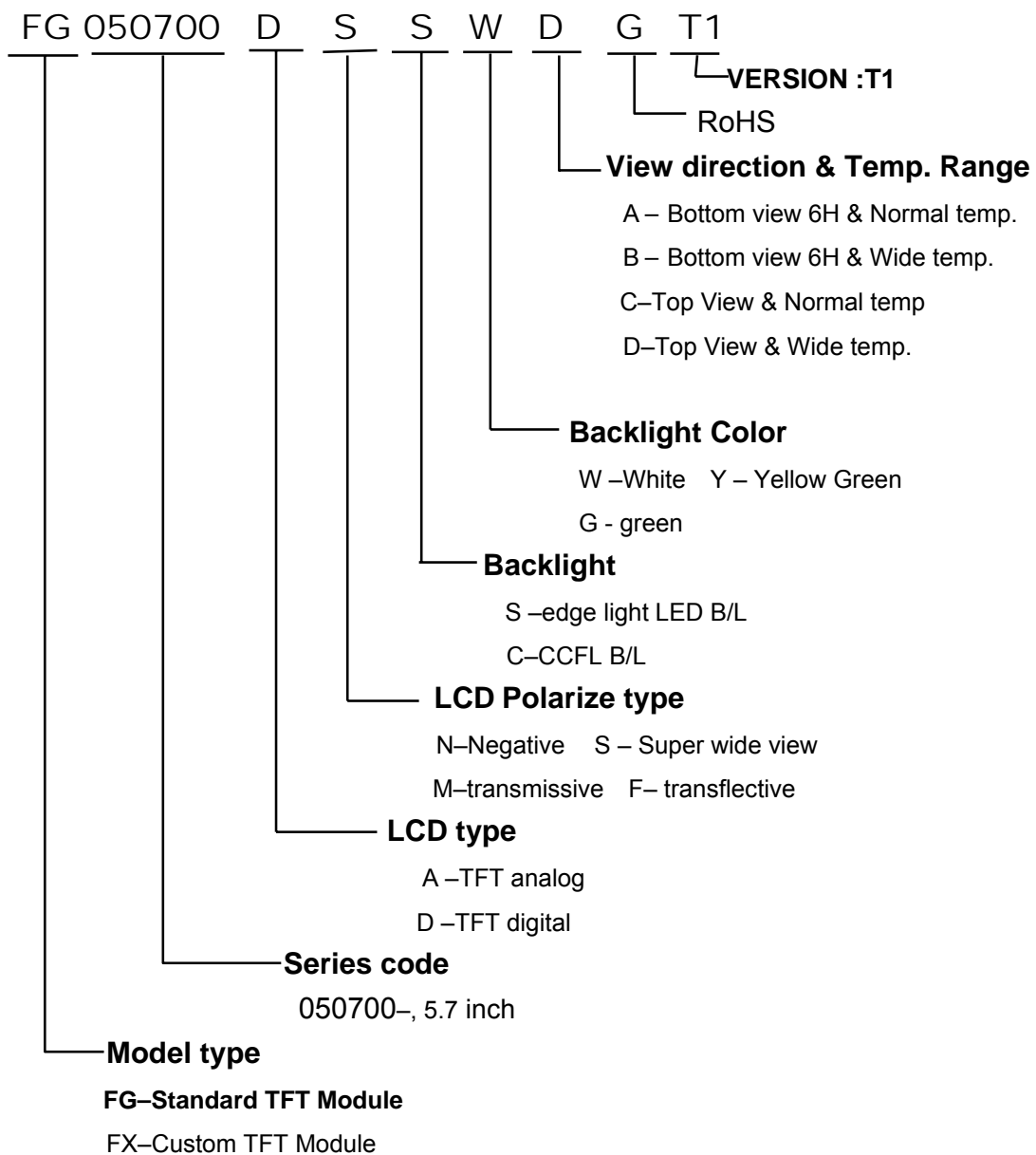
11.1.5 Test Method

No.	Reliability Test Item & Level	Test Level
1	High Temperature Storage Test	T=80°C,240hrs
2	Low Temperature Storage Test	T=-30°C,240hrs
3	High Temperature Operation Test	T=70°C,240hrs
4	Low Temperature Operation Test	T=-20°C,240hrs
5	High Temperature and High Humidity Operation Test	T=60°C,90% RH,240hrs
6	Thermal Cycling Test (No operation)	-30°C → +25°C → +80°C,200 Cycles 30 min 5min 30 min
7	Vibration Test (No operation)	Frequency:0 ~ 55 Hz Amplitude:1.5 mm Sweep Time:11min Test Period:6 Cycles for each Direction of X,Y,Z
8	Electrostatic Discharge Test (No operation)	150pF,330Ω Air:± 15KV;Contact: ± 8KV 10 times/point;4 points/panel face

12. LOT NUMBERING SYSTEM



13. LCM NUMBERING SYSTEM



14. PRECAUTION IN USE LCM

1. LIQUID CRYSTAL DISPLAY (LCD)

LCD is made up of glass, organic sealant, organic fluid, and polymer based polarizers. The following precautions should be taken when handling,

- (1). Keep the temperature within range of use and storage. Excessive temperature and humidity could cause polarization degradation, polarizer peel off or bubble.
- (2). Do not contact the exposed polarizers with anything harder than an HB pencil lead. To clean dust off the display surface, wipe gently with cotton, chamois or other soft material soaked in petroleum benzin.
- (3). Wipe off saliva or water drops immediately. Contact with water over a long period of time may cause polarizer deformation or color fading, while an active LCD with water condensation on its surface will cause corrosion of ITO electrodes.
- (4). Glass can be easily chipped or cracked from rough handling, especially at corners and edges.
- (5). Do not drive LCD with DC voltage.

2. Liquid Crystal Display Modules

2.1 Mechanical Considerations

LCM are assembled and adjusted with a high degree of precision. Avoid excessive shocks and do not make any alterations or modifications. The following should be noted.

- (1). Do not tamper in any way with the tabs on the metal frame.
- (2). Do not modify the PCB by drilling extra holes, changing its outline, moving its components or modifying its pattern.
- (3). Do not touch the elastomer connector, especially insert an backlight panel (for example, EL).
- (4). When mounting a LCM make sure that the PCB is not under any stress such as bending or twisting. Elastomer contacts are very delicate and missing pixels could result from slight dislocation of any of the elements.
- (5). Avoid pressing on the metal bezel, otherwise the elastomer connector could be deformed and lose contact, resulting in missing pixels.

2.2. Static Electricity

LCM contains CMOS LSI's and the same precaution for such devices should apply, namely

- (1). The operator should be grounded whenever he/she comes into contact with the module. Never touch any of the conductive parts such as the LSI pads, the copper leads on the PCB and the interface terminals with any parts of the human body.
- (2). The modules should be kept in antistatic bags or other containers resistant to static for storage.
- (3). Only properly grounded soldering irons should be used.
- (4). If an electric screwdriver is used, it should be well grounded and shielded from commutator sparks.

(5) The normal static prevention measures should be observed for work clothes and working benches; for the latter conductive (rubber) mat is recommended.

(6). Since dry air is inductive to statics, a relative humidity of 50-60% is recommended.

2.3 Soldering

- (1). Solder only to the I/O terminals.
- (2). Use only soldering irons with proper grounding and no leakage.
- (3). Soldering temperature : $280^{\circ}\text{C} \pm 10^{\circ}\text{C}$
- (4). Soldering time: 3 to 4 sec.
- (5). Use eutectic solder with resin flux fill.
- (6). If flux is used, the LCD surface should be covered to avoid flux spatters. Flux residue should be removed after wards.

2.4 Operation

- (1). The viewing angle can be adjusted by varying the LCD driving voltage V0.
- (2). Driving voltage should be kept within specified range; excess voltage shortens display life.
- (3). Response time increases with decrease in temperature.
- (4). Display may turn black or dark blue at temperatures above its operational range; this is (however not pressing on the viewing area) may cause the segments to appear "fractured".
- (5). Mechanical disturbance during operation (such as pressing on the viewing area) may cause the segments to appear "fractured".

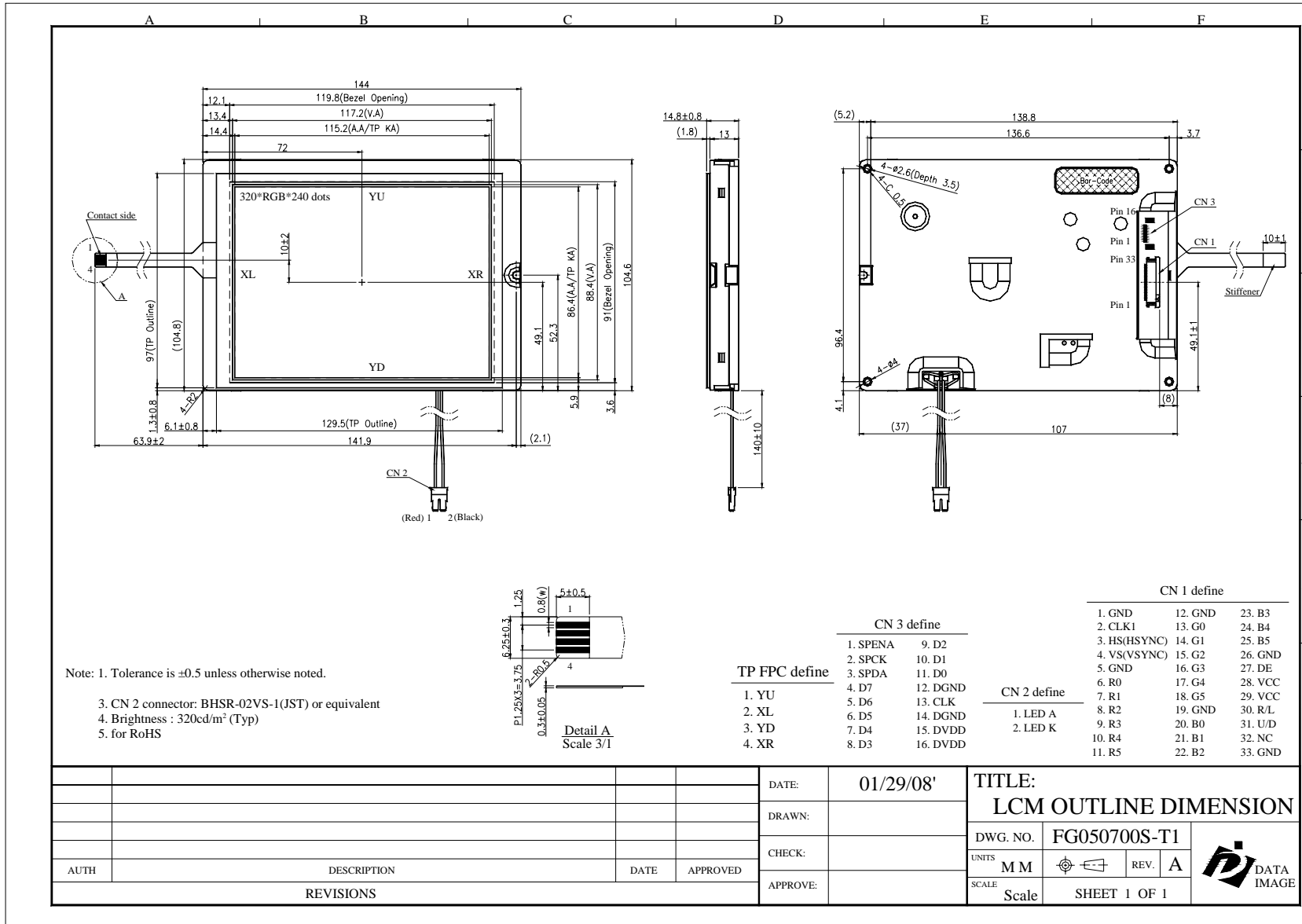
2.5 Storage

If any fluid leaks out of a damaged glass cell, wash off any human part that comes into contact with soap and water. Never swallow the fluid. The toxicity is extremely low but caution should be exercised at all the time.

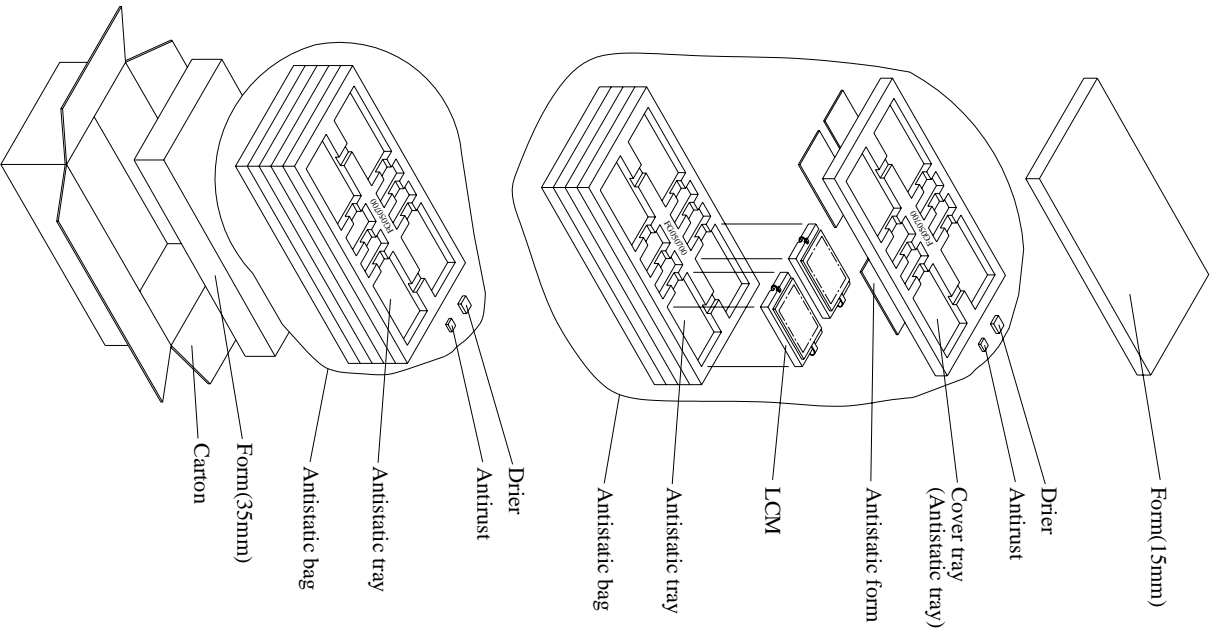
2.6 Limited Warranty

Unless otherwise agreed between DATA IMAGE and customer, DATA IMAGE will replace or repair any of its LCD and LCM which is found to be defective electrically and visually when inspected in accordance with DATA IMAGE acceptance standards, for a period on one year from date of shipment. Confirmation of such date shall be based on freight documents. The warranty liability of DATA IMAGE is limited to repair and/or replacement on the terms set forth above. DATA IMAGE will not responsible for any subsequent or consequential events.

Confidential Document
15. OUTLINE DRAWING



Confidential Document
16. PACKAGE INFORMATION



Material

1 Carton + 1 Form (15mm) + 2 Anti-static bag + 10 Anti-static tray
+ 2 Drier + 2 Antitrust + 1 Form (35mm)

Total pcs

1 Antistatic tray = 4 pcs (modules)
1 Anti-static bag = 4 Anti-static tray + cover tray = 4*4 + 1*0 =16 pcs
1 Carton = 2 Anti-static bag = 2*16 = 32 pcs
1 Carton size : 465L x 380W x 395H (mm)
Total Weight ÷10.2 kgw

FG050700+TP TFT LCM PACKING