

TFT-PCAP-Modul Datenblatt

Modell SCF0403852GGU01

Kurzdaten

Hersteller	Data Image
Diagonale	4,3" / 10,9 cm
Format	wide
Auflösung	480 x 272
Backlight	LED / 340 cd/m ²
Interface	RGB
Touchscreen	ja
Temperatur	-20... +70°C (Betrieb)



DATA IMAGE CORPORATION

TFT Module Specification

Preliminary

ITEM NO.: SCF0403852GGU01

Table of Contents

1. COVER & CONTENTS	1
2. RECORD OF REVISION	2
3. APPLICATION.....	3
4. GENERAL SPECIFICATIONS	3
5. ELECTRICAL CHARACTERISTICS	3
6. BLOCK DIAGRAM	4
7. PIN CONNECTIONS	5
8. INTERFACE SPECIFICATIONS	6
9. CTP Interface and Data Format.....	9
10. OPTICAL CHARACTERISTIC	11
11. QUALITY ASSURANCE	13
12. LCM PRODUCT LABEL DEFINE	14
13. PRECAUTIONS IN USE LCM	16
14. OUTLINE DRAWING	17
15. PACKAGE INFORMATION	18

Customer Companies	R&D Dept.	Q.C. Dept.	Eng. Dept.	Prod. Dept.
	JACK	JOE	GARY	KEN
Approved by	Version:	Issued Date:	Sheet Code:	Total Pages:
	2	28/NOV/11'		18

2. RECORD OF REVISION

Rev	Date	Item	Page	Comment
1	19/SEP/11'			Initial Preliminary
2	28/NOV/11'	11	13	Modify QUALITY ASSURANCE

3. Application

Composition: 4.3 inch WVGA resolution display with a projected Capacitive Touch Panel (CTP).

4. GENERAL Specifications

Parameter	Specifications	Unit
Display resolution	480X R.G.B x 272	dot
Active area	95.04(W) x 53.856(H)	mm
Screen size	4.3(Diagonal)	inch
Dot pitch	0.066 (W) x 0.198(H)	mm
Color configuration	R.G.B. Stripe	
Overall dimension	115.1 (W) x 73.9(H) x 4.95(D)	mm
Weight	TBD	g

5. Electrical Characteristics

Ta=25°C

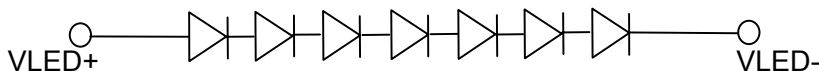
Parameter	Symbol	MIN.	Typ.	MAX.	Unit	Remark
Power Supply voltage	V _{DD}	3.0	3.3	3.6	V	Note1
Power Supply Current	I _{DD}		12		mA	V _{DD} =3.3V
Ripple Voltage	V _{RPVDD}			100	mVp-p	
"H" level logical input voltage	V _{IH}	0.7VDD	--	VDD	V	
"L" level logical input voltage	V _{IL}	0	--	0.3VDD	V	
Operating temperature	Topa	-20	--	70	°C	Ambient temperature
Storage temperature	Tstg	-30	--	80	°C	Ambient temperature

Note1: VDD Absolute Maximum Ratings -0.3V~+4.5V

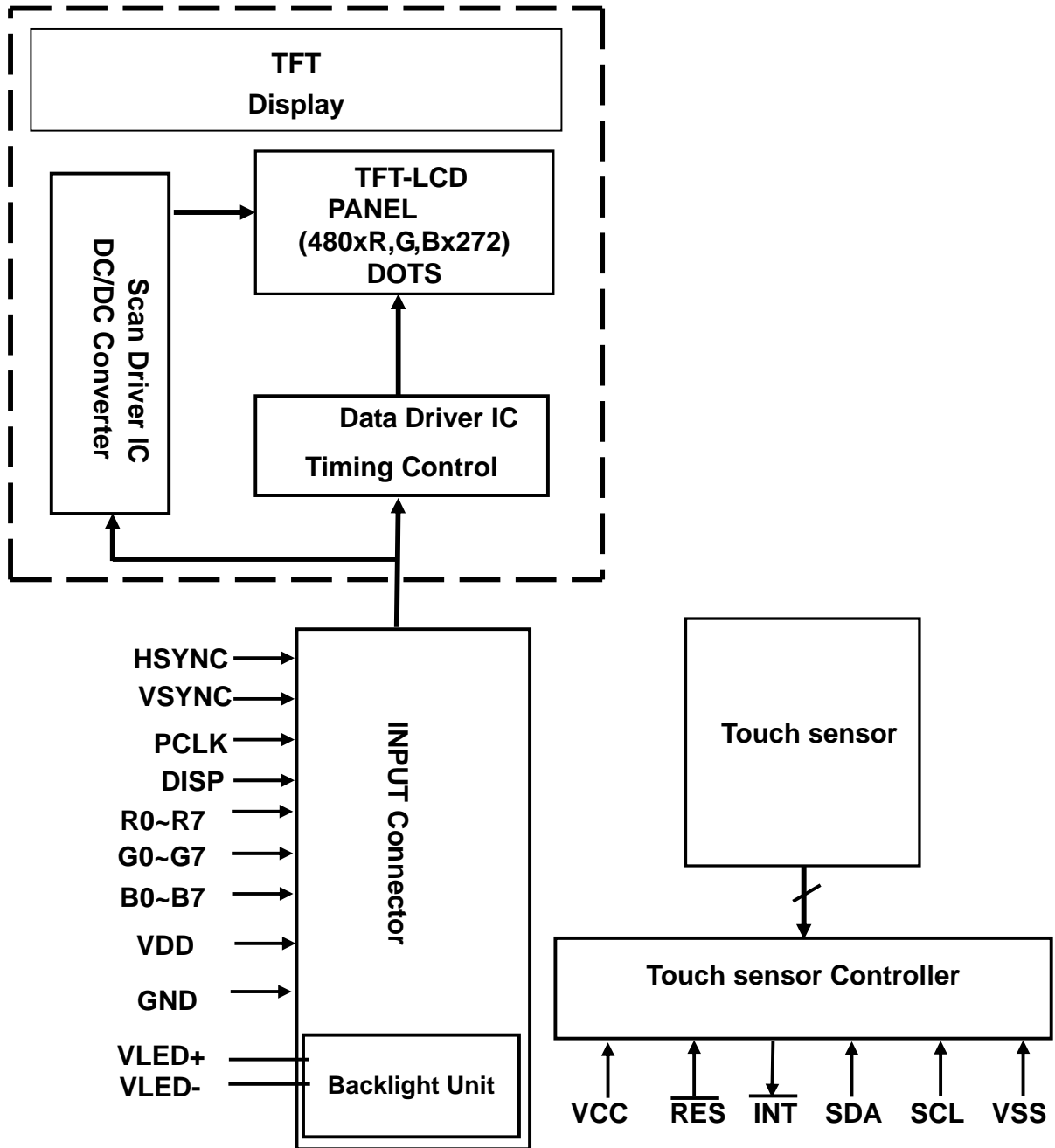
5.1 Backlight driving for power conditions

Ta=25 °C

Parameter	Symbol	Min.	Typ.	Max.	Unit	Remark
LED current	I _L	--	20	--	mA	
VLED voltage	V _L	21.0	23.1	26.6	V	IL=20 mA



6. Block Diagram



7. PIN CONNECTIONS

7.1 Input Pins Connection

Pin No	Symbol	Function	Remark
1	VLED-	LED Power Source input terminal (Cathode side)	
2	VLED+	LED Power Source input terminal (Anode side)	
3	GND	Ground	
4	VDD	Power Supply : +3.3V	
5	R0	Red pixel data(LSB)	
6	R1	Red pixel data	
7	R2	Red pixel data	
8	R3	Red pixel data	
9	R4	Red pixel data	
10	R5	Red pixel data	
11	R6	Red pixel data	
12	R7	Red pixel data(MSB)	
13	G0	Green pixel data(LSB)	
14	G1	Green pixel data	
15	G2	Green pixel data	
16	G3	Green pixel data	
17	G4	Green pixel data	
18	G5	Green pixel data	
19	G6	Green pixel data	
20	G7	Green pixel data(MSB)	
21	B0	Blue pixel data(LSB)	
22	B1	Blue pixel data	
23	B2	Blue pixel data	
24	B3	Blue pixel data	
25	B4	Blue pixel data	
26	B5	Blue pixel data	
27	B6	Blue pixel data	
28	B7	Blue pixel data(MSB)	
29	GND	Ground	
30	PCLK	clock signal to sample each data	
31	DISP	Display ON/OFF Signal ON=H, OFF=L	
32	HSYNC (HS)	Horizontal synchronous signal	
33	VSYNC (VS)	Vertical synchronous signal	
34	NC	No Connection	
35	NC	No Connection	
36	GND	Ground	
37	NC	No Connection	
38	NC	No Connection	
39	NC	No Connection	
40	NC	No Connection	

8. INTERFACE SPECIFICATIONS

8.1 INPUT SIGNAL TIMING SPECIFICATIONS

The specification of input signals timing is as the following table and timing diagram.

($T_A = 25^\circ\text{C}$, $V_{DD} = 2.25\text{V} \sim 3.6\text{V}$, $GND = 0\text{V}$)

Parameter	Symbol	MIN.	TYP.	MAX.	Unit	Remarks
Clock cycle	fCLK	5	9	12	MHz	
Hsync cycle	1/th	-	16.95	-	KHZ	
Vsync cycle	1/tv	-	58.85	-	HZ	
Horizontal Signal						
Horizontal cycle	Th	490	531	605	CLK	
Horizontal display period	Thdisp	-	480	-	CLK	
Horizontal front porch	Thfp	2	8	-	CLK	
Horizontal pulse width	Thw	1	-	-	CLK	
Horizontal back porch	Thbp	8	43	-	CLK	
Vertical Signal						
Vertical cycle	Tv	275	288	335	H ⁽¹⁾	
Vertical display period	Tvdisp	-	272	-	H ⁽¹⁾	
Vertical front porch	Tvfp	1	4	-	H ⁽¹⁾	
Vertical pulse width	Tvw	1	10	-	H ⁽¹⁾	
Vertical back porch	Tvbp	2	12	-	H ⁽¹⁾	

Note:

- ◇ In case of using the slow frequency, the deterioration of display flicker etc may occur.
- ◇ The timing characteristics are basically fixed as above.

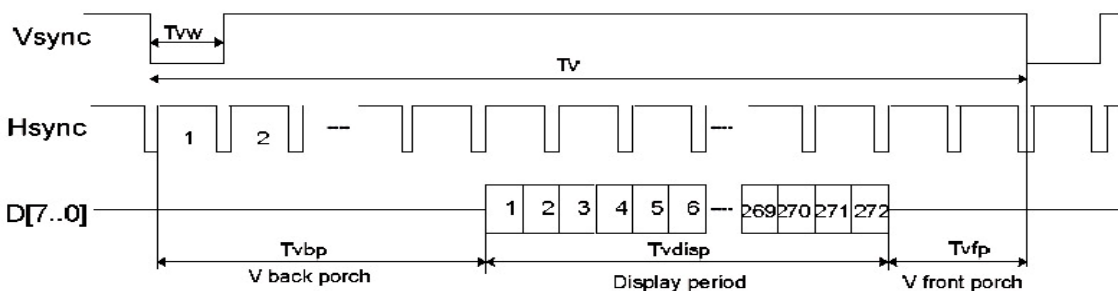
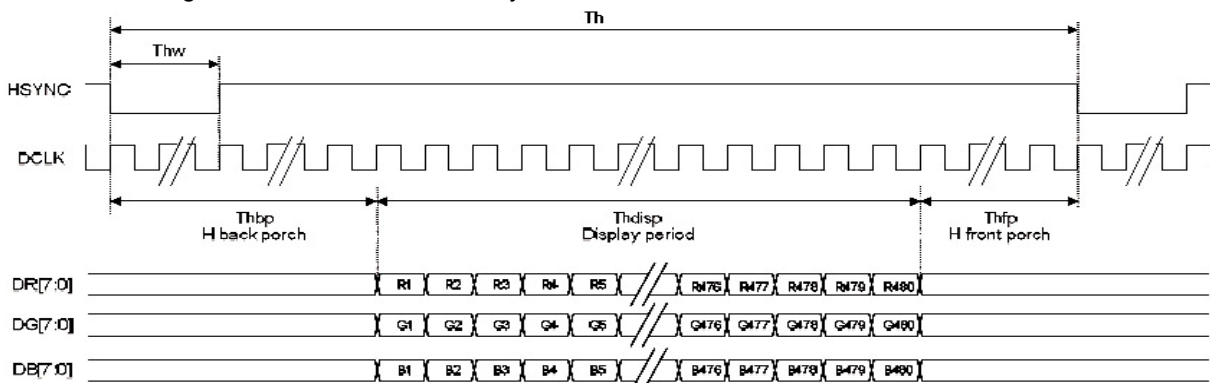


Figure 8-1 Sync mode Input timing

8.2 Color DATA INPUT ASSIGNMENT

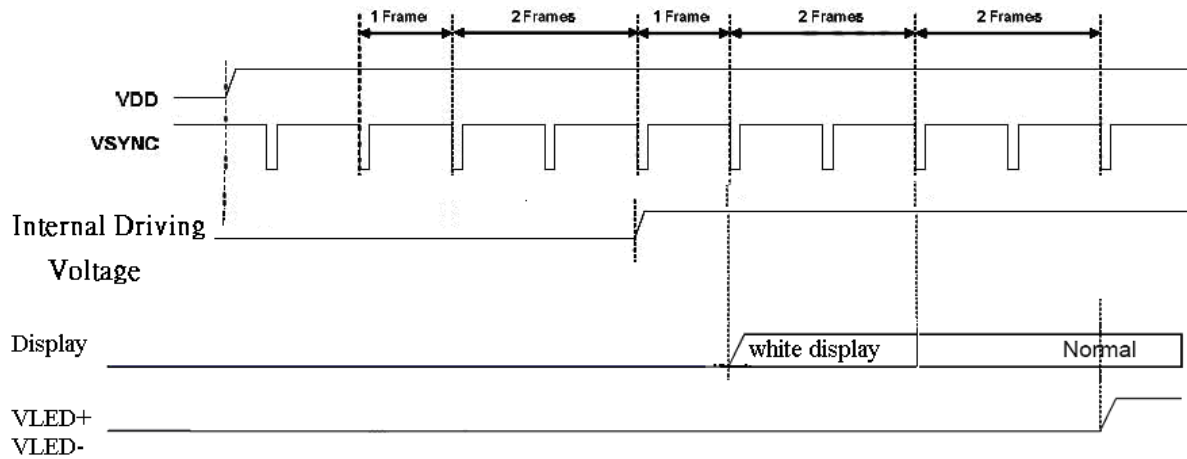
COLOR	INPUT DATA	R DATA								G DATA								B DATA							
		R7	R6	R5	R4	R3	R2	R1	R0	R7	R6	R5	R4	R3	R2	R1	R0	R7	R6	R5	R4	R3	R2	R1	R0
		MSB				LSB				MSB				LSB				MSB				LSB			
BASIC COLOR	BLACK	0	0	0	0	0	0	0	0	0	0	0	0	0	0	0	0	0	0	0	0	0	0	0	0
	RED(255)	1	1	1	1	1	1	1	1	0	0	0	0	0	0	0	0	0	0	0	0	0	0	0	0
	GREEN(255)	0	0	0	0	0	0	0	0	1	1	1	1	1	1	1	1	0	0	0	0	0	0	0	0
	BLUE(255)	0	0	0	0	0	0	0	0	0	0	0	0	0	0	0	0	1	1	1	1	1	1	1	1
	CYAN	0	0	0	0	0	0	0	0	1	1	1	1	1	1	1	1	1	1	1	1	1	1	1	1
	MAGENTA	1	1	1	1	1	1	1	1	0	0	0	0	0	0	0	0	1	1	1	1	1	1	1	1
	YELLOW	1	1	1	1	1	1	1	1	1	1	1	1	1	1	1	1	0	0	0	0	0	0	0	0
WHITE	1	1	1	1	1	1	1	1	1	1	1	1	1	1	1	1	1	1	1	1	1	1	1	1	
RED	RED(0)	0	0	0	0	0	0	0	0	0	0	0	0	0	0	0	0	0	0	0	0	0	0	0	0
	RED(1)	0	0	0	0	0	0	0	1	0	0	0	0	0	0	0	0	0	0	0	0	0	0	0	0
	RED(2)	0	0	0	0	0	0	1	0	0	0	0	0	0	0	0	0	0	0	0	0	0	0	0	0
	RED(254)	1	1	1	1	1	1	1	0	0	0	0	0	0	0	0	0	0	0	0	0	0	0	0	0
RED(255)	1	1	1	1	1	1	1	1	0	0	0	0	0	0	0	0	0	0	0	0	0	0	0	0	
GREEN	GREEN(0)	0	0	0	0	0	0	0	0	0	0	0	0	0	0	0	0	0	0	0	0	0	0	0	0
	GREEN(1)	0	0	0	0	0	0	0	0	0	0	0	0	0	0	0	1	0	0	0	0	0	0	0	0
	GREEN(2)	0	0	0	0	0	0	0	0	0	0	0	0	0	0	1	0	0	0	0	0	0	0	0	0
	GREEN(254)	0	0	0	0	0	0	0	0	1	1	1	1	1	1	1	0	0	0	0	0	0	0	0	0
GREEN(255)	0	0	0	0	0	0	0	0	1	1	1	1	1	1	1	1	0	0	0	0	0	0	0	0	
BLUE	BLUE (0)	0	0	0	0	0	0	0	0	0	0	0	0	0	0	0	0	0	0	0	0	0	0	0	0
	BLUE (1)	0	0	0	0	0	0	0	0	0	0	0	0	0	0	0	0	0	0	0	0	0	0	0	1
	BLUE (2)	0	0	0	0	0	0	0	0	0	0	0	0	0	0	0	0	0	0	0	0	0	0	1	0
	BLUE (254)	0	0	0	0	0	0	0	0	0	0	0	0	0	0	0	0	1	1	1	1	1	1	1	0
BLUE (255)	0	0	0	0	0	0	0	0	0	0	0	0	0	0	0	0	1	1	1	1	1	1	1	1	

[NOTE] :

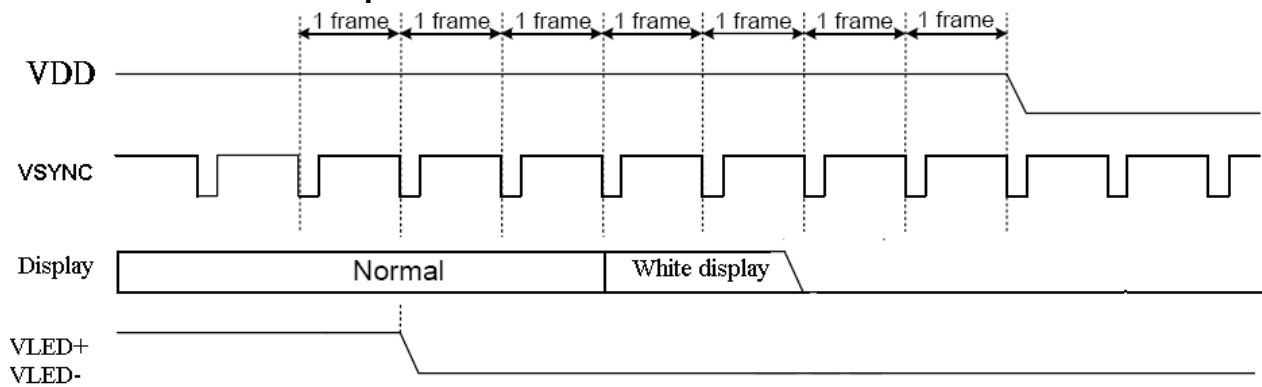
- 1) Definition of Gray level : Color(n) : n to show the Gray level · n is the more high and the light more bright.
- 2) Data:1-High, 0-Low.

8.3 Sequences of supply voltage and signals

8.3.1 Power on Sequence



8.3.2 Power off Sequence



9. CTP Interface and Data Format

9.1 CTP Absolute Maximum Rating

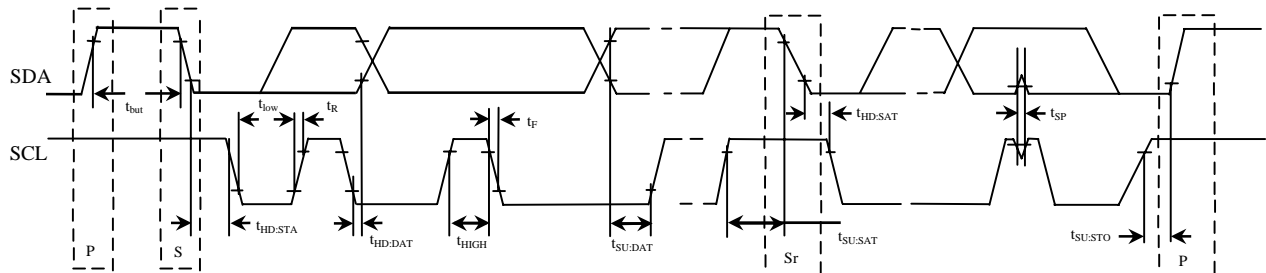
Parameter	Symbol	Spec.			Unit
Supply voltage	VCC	-0.3	-	7	V
Switch control signals output current	Output current	-	50	-	mA
Enable control voltage range	Logic Input	-0.3	-	VDD+0.3	V
Output Control Driver	Output voltage	-0.3	-	VDD	V

9.2 CTP Electrical Characteristic

Symbol	Description	Min	Typ	Max	Unit	Notes
VCC	Supply voltage	2.5	3.3	3.5	V	

9.3 Interface and Data Format (Slave address is 0x94H)

9.3.1 AC characteristics of the SDA and SCL bus lines for I²C-bus devices



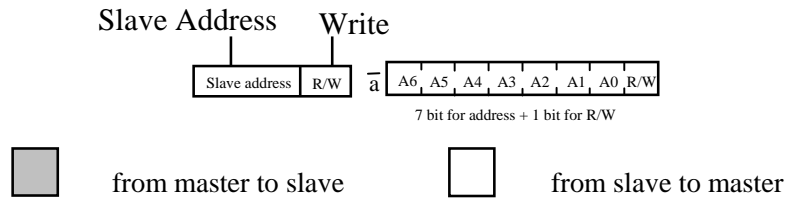
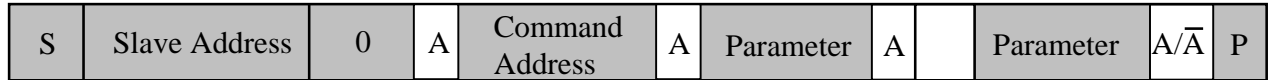
Parameter	Symbol	Standard-Mode I ² C-BUS		Fast-Mode I ² C-BUS		Unit
		Min.	Max.	Min.	Max.	
SCL clock frequency	f_{SCL}	0	100	0	400	KHz
Bus free time between STOP and START condition	t_{BUF}	4.7	-	1.3	-	μ s
Hold time (repeated) START condition. After this period, the first clock pulse is generated	$t_{HD:STA}$	4.0	-	0.6	-	μ s
LOW period of the SCL clock	t_{LOW}	4.7	-	1.3	-	μ s
HIGH period of the SCL clock	t_{HIGH}	4.0	-	0.6	-	μ s
Set-up time for a repeated START condition	$t_{SU:STA}$	4.7	-	0.6	-	μ s
Data hold time	$t_{HD:DAT}$	0	-	0	0.9	μ s
Data set-up time	$t_{SU:DAT}$	250	-	100	-	μ s
Rise time of both SDA and SCL signals	t_R	-	1000	$20+0.1C_b$	300	μ s
Fall time of both SDA and SCL signals	t_F	-	300	$20+0.1C_b$	300	μ s
Set-up time for STOP condition	$t_{SU:STO}$	4.0	-	0.6	-	μ s
Capacitive load for each bus line.	C_b	-	400	-	400	pF

Note:

- (1) All values are referred to V_{IH} (0.7xVDD) and V_{IL} (0.3xVDD) level.
- (2) A device must internally provide a hold time of at least 300ns for the SDA signal (referred to the V_{IH} of the SCL signal) in order to bridge the undefined region of the falling edge of SCL.
- (3) The maximum $t_{HD:DAT}$ has only to be met if the device does not stretch the LOW period (t_{LOW}) of the SCL signal.
- (4) A fast-mode I²C-bus device can be used in a standard-mode I²C-bus system, but the requirement $t_{SU:DAT}$ 250ns must then be met. This will automatically be the case if the device does not stretch the LOW period of the SCL signal. If such a device does stretch the LOW period of the SCL signal, it must output the next data bit to the SDA line $t_{R\ max} t_{SU:DAT} = 1000+250=1250$ ns (according to the standard-mode I²C-bus specification) before the SCL line is released.
- (5) C_b = total capacitance of one bus line in pF.

9.3.2 Format of Data Frame

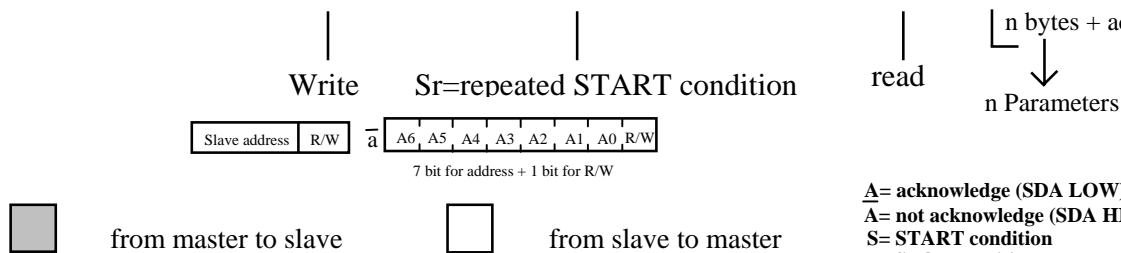
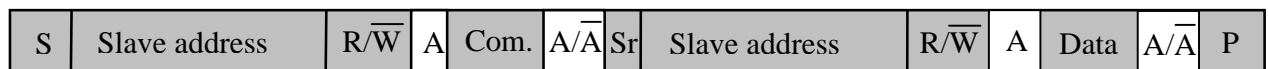
Write mode



\bar{A} = acknowledge (SDA LOW)
A= not acknowledge (SDA HIGH)
S= START condition
P= STOP condition

Data Format of writing mode

Read mode



\bar{A} = acknowledge (SDA LOW)
A= not acknowledge (SDA HIGH)
S= START condition
P= STOP condition

Data Format of reading mode

9.4 CTP Pin Connections

No.	Name	I/O	Description
1	VCC	-	Power; VCC=3.3V
2	/RES	I	NC pin; please keep floating
3	/INT	O	Active low when data output from touch panel
4	SDA	I	Serial data access
5	SCL	I	Clock; 100KHz
6	VSS	-	Ground

10. Optical Characteristics

10.1 Specification:

Item	Symbol	Condition	Min.	Typ.	Max.	Unit	Remark
Response time	Rise+ Fall	$\theta=0^\circ$	-	25	-	ms	Note 4
Contrast ratio	CR	At optimized viewing angle		300			Note 5
Viewing angle	Top	$CR \geq 10$	70	80	-	Deg.	Note 6
	Bottom		70	80	-		
	Left		70	80	-		
	Right		70	80	-		
Luminance of white		$\theta=0^\circ$	270	340	--	cd/m ²	Note 7,8
Uniformity			70	--		%	Note 8,9
White chromaticity	X	$\theta=0^\circ$	0.27	0.32	0.37		Note 7
	y		0.28	0.33	0.38		

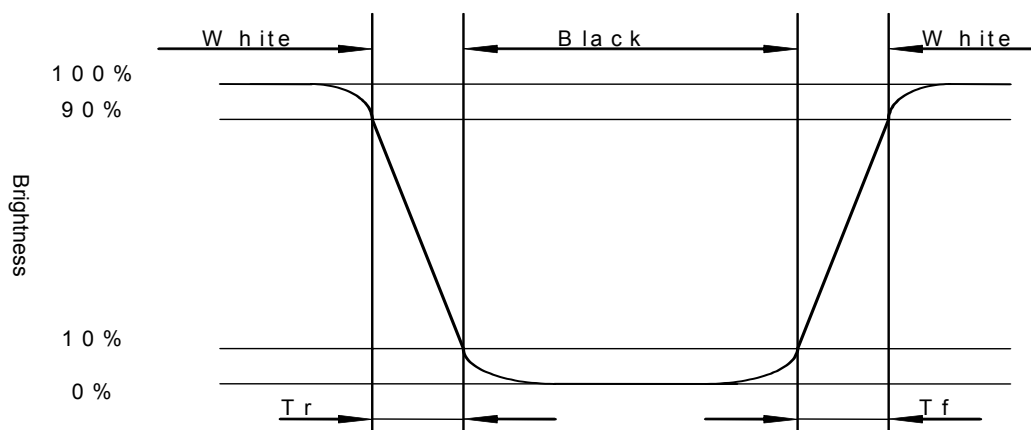
Note 1: Ambient temperature =25°C. LED current = 20 mA.

Note 2: To be measured in the dark room.

Note 3: To be measured on the center area of panel with a viewing cone of 1° by Topcon luminance meter BM-7A, after 2 minutes operation.

Note 4: Definition of response time:

The output signals of photo-detector are measured when the input signals are changed from "white" to "black"(rising time) and from "black" to "white"(falling time), respectively. The response time is defined as the time interval between the 10% and 90% of amplitudes. Refer to figure as shown below.

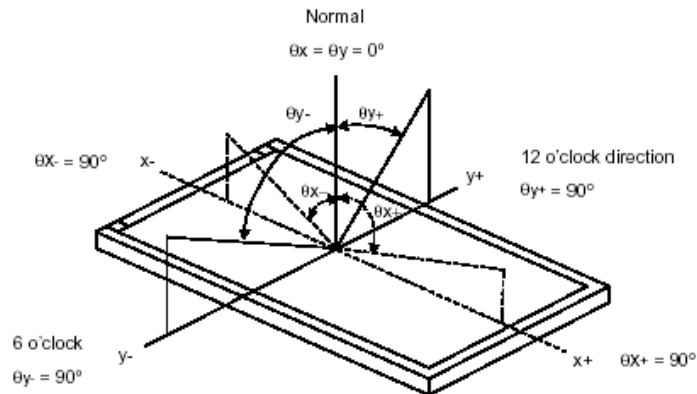


Note5: Definition of contrast ratio:

Contrast ratio is calculated with the following formula.

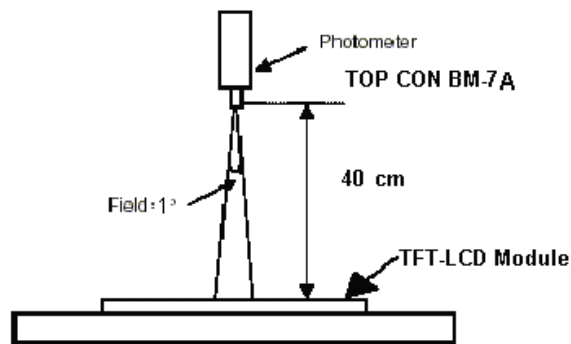
$$\text{Contrast ratio (CR)} = \frac{\text{Photo-detector output when LCD is at "White" state}}{\text{Photo-detector output when LCD is at "Black" state}}$$

Note 6: Definition of viewing angle:
Refer to figure as below.

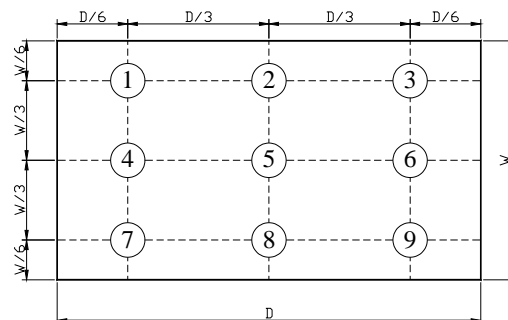


Note7: Measured at the center area of the panel with all pixels are white.

Note8: The method of optical measurement



Note 9: Definition of Brightness Uniformity (B-uni):



$$B\text{-uni} = \frac{\text{Minimum luminance of 9 points}}{\text{Maximum luminance of 9points}} \quad (\text{Note 9}).$$

11. QUALITY ASSURANCE

11.1 Test Condition

11.1.1 Temperature and Humidity (Ambient Temperature)

Temperature : $25 \pm 5^{\circ}\text{C}$

Humidity : $65 \pm 5\%$

11.1.2 Operation

Unless specified otherwise, test will be conducted under function state.

11.1.3 Container

Unless specified otherwise, vibration test will be conducted to the product itself without putting it in a container.

11.1.4 Test Frequency

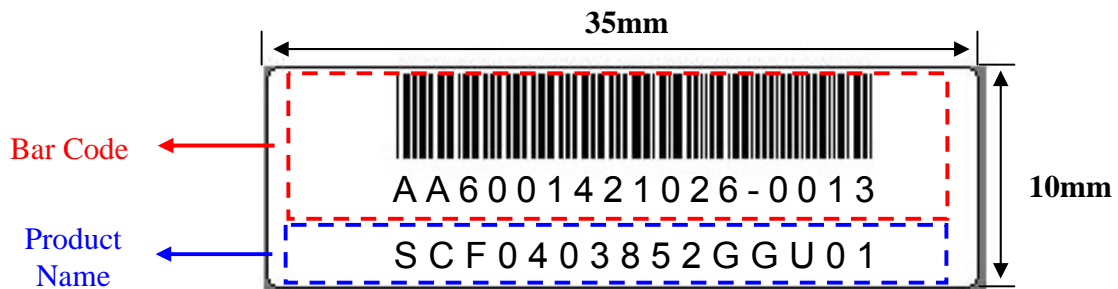
In case of related to deterioration such as shock test. It will be conducted only once.

11.1.5 Test Method

No.	Reliability Test Item & Level	Test Level
1	High Temperature Storage Test	T=80°C,240hrs
2	Low Temperature Storage Test	T=-30°C,240hrs
3	High Temperature Operation Test	T=70°C,240hrs
4	Low Temperature Operation Test	T=-20°C,240hrs
5	High Temperature and High Humidity Operation Test	T=60°C,90% RH,240hrs
6	Temperature Cycle Test (No operation)	-30°C → +25°C → +80°C,200 Cycles 30 min 5min 30 min
7	Vibration Test (No operation)	Frequency:0 ~ 55 Hz Amplitude:1.5 mm Sweep Time:11min Test Period:6 Cycles for each Direction of X,Y,Z
8	Electrostatic Discharge Test (No operation)	Air Discharge :±15KV Indirect Contact Discharge :±8KV

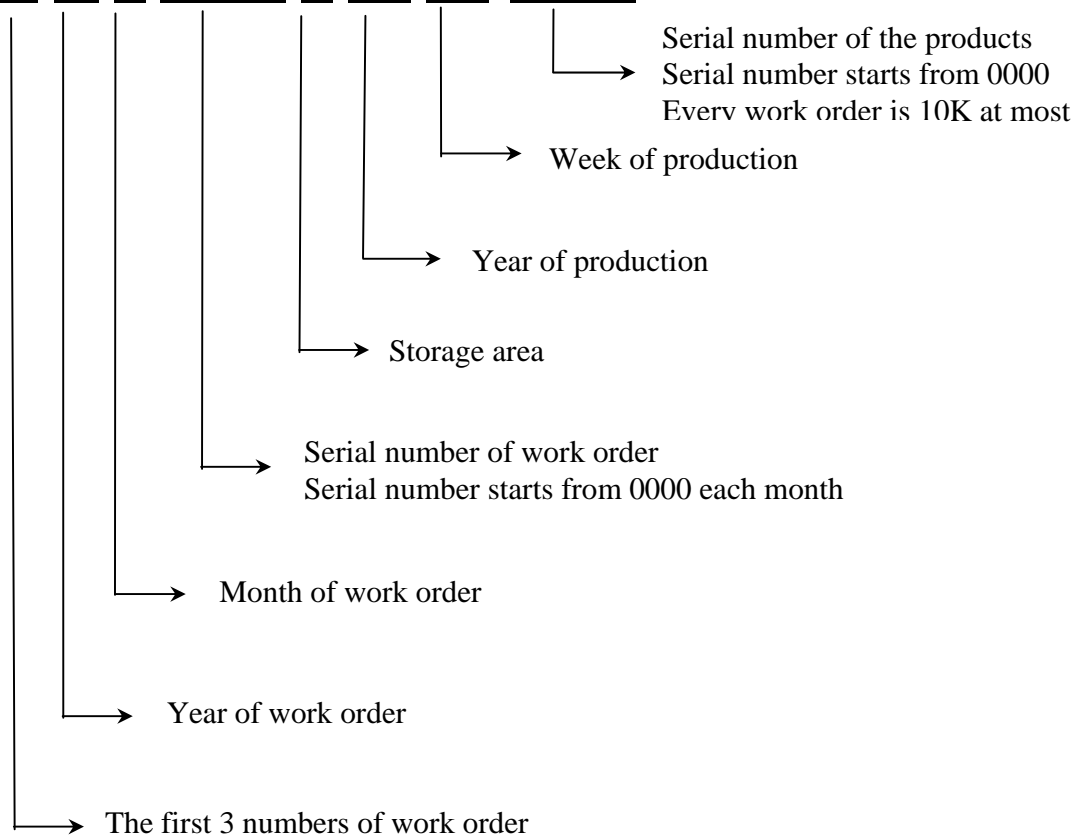
12. LCM PRODUCT LABEL DEFINE

Product Label style:

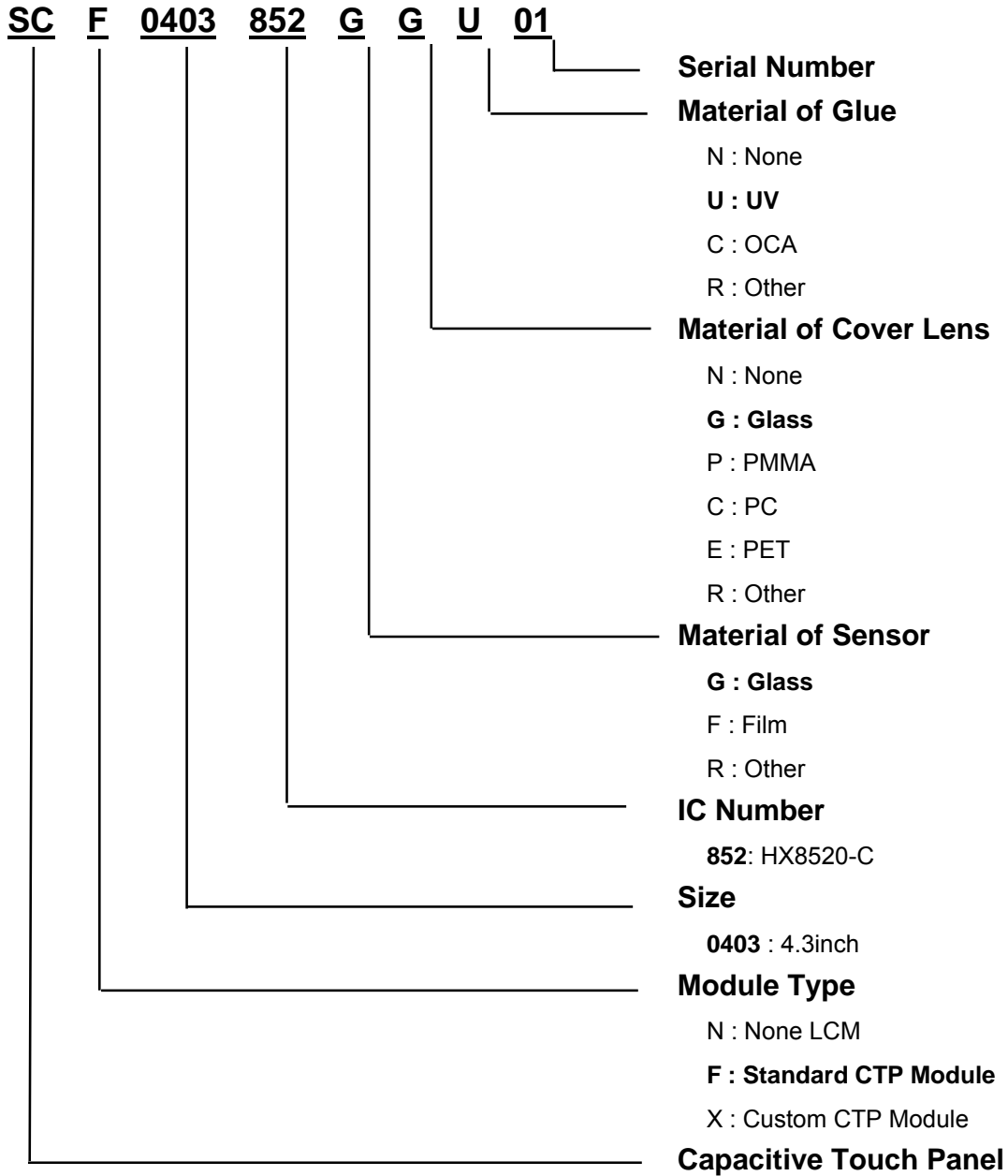


BarCode Define:

A A 6 0014 2 10 26-0013



Product Name Define:



13. PRECAUTIONS IN USE LCM

1. LIQUID CRYSTAL DISPLAY (LCD)

LCD is made up of glass, organic sealant, organic fluid, and polymer based polarizers. The following precautions should be taken when handling,

- (1). Keep the temperature within range of use and storage. Excessive temperature and humidity could cause polarization degradation, polarizer peel off or bubble.
- (2). Do not contact the exposed polarizers with anything harder than an HB pencil lead. To clean dust off the display surface, wipe gently with cotton, chamois or other soft material soaked in petroleum benzin.
- (3). Wipe off saliva or water drops immediately. Contact with water over a long period of time may cause polarizer deformation or color fading, while an active LCD with water condensation on its surface will cause corrosion of ITO electrodes.
- (4). Glass can be easily chipped or cracked from rough handling, especially at corners and edges.
- (5). Do not drive LCD with DC voltage.

2. Liquid Crystal Display Modules

2.1 Mechanical Considerations

LCM are assembled and adjusted with a high degree of precision. Avoid excessive shocks and do not make any alterations or modifications. The following should be noted.

- (1). Do not tamper in any way with the tabs on the metal frame.
- (2). Do not modify the PCB by drilling extra holes, changing its outline, moving its components or modifying its pattern.
- (3). Do not touch the elastomer connector, especially insert an backlight panel (for example, EL).
- (4). When mounting a LCM make sure that the PCB is not under any stress such as bending or twisting. Elastomer contacts are very delicate and missing pixels could result from slight dislocation of any of the elements.
- (5). Avoid pressing on the metal bezel, otherwise the elastomer connector could be deformed and lose contact, resulting in missing pixels.

2.2. Static Electricity

LCM contains CMOS LSI's and the same precaution for such devices should apply, namely

- (1). The operator should be grounded whenever he/she comes into contact with the module. Never touch any of the conductive parts such as the LSI pads, the copper leads on the PCB and the interface terminals with any parts of the human body.
- (2). The modules should be kept in antistatic bags or other containers resistant to static for storage.
- (3). Only properly grounded soldering irons should be used.
- (4). If an electric screwdriver is used, it should be well grounded and shielded from commutator sparks.

- (5) The normal static prevention measures should be observed for work clothes and working benches; for the latter conductive (rubber) mat is recommended.
- (6). Since dry air is inductive to statics, a relative humidity of 50-60% is recommended.

2.3 Soldering

- (1). Solder only to the I/O terminals.
- (2). Use only soldering irons with proper grounding and no leakage.
- (3). Soldering temperature : $280^{\circ}\text{C} \pm 10^{\circ}\text{C}$
- (4). Soldering time: 3 to 4 sec.
- (5). Use eutectic solder with resin flux fill.
- (6). If flux is used, the LCD surface should be covered to avoid flux spatters. Flux residue should be removed after wards.

2.4 Operation

- (1). The viewing angle can be adjusted by varying the LCD driving voltage V0.
- (2). Driving voltage should be kept within specified range; excess voltage shortens display life.
- (3). Response time increases with decrease in temperature.
- (4). Display may turn black or dark blue at temperatures above its operational range; this is (however not pressing on the viewing area) may cause the segments to appear "fractured".
- (5). Mechanical disturbance during operation (such as pressing on the viewing area) may cause the segments to appear "fractured".

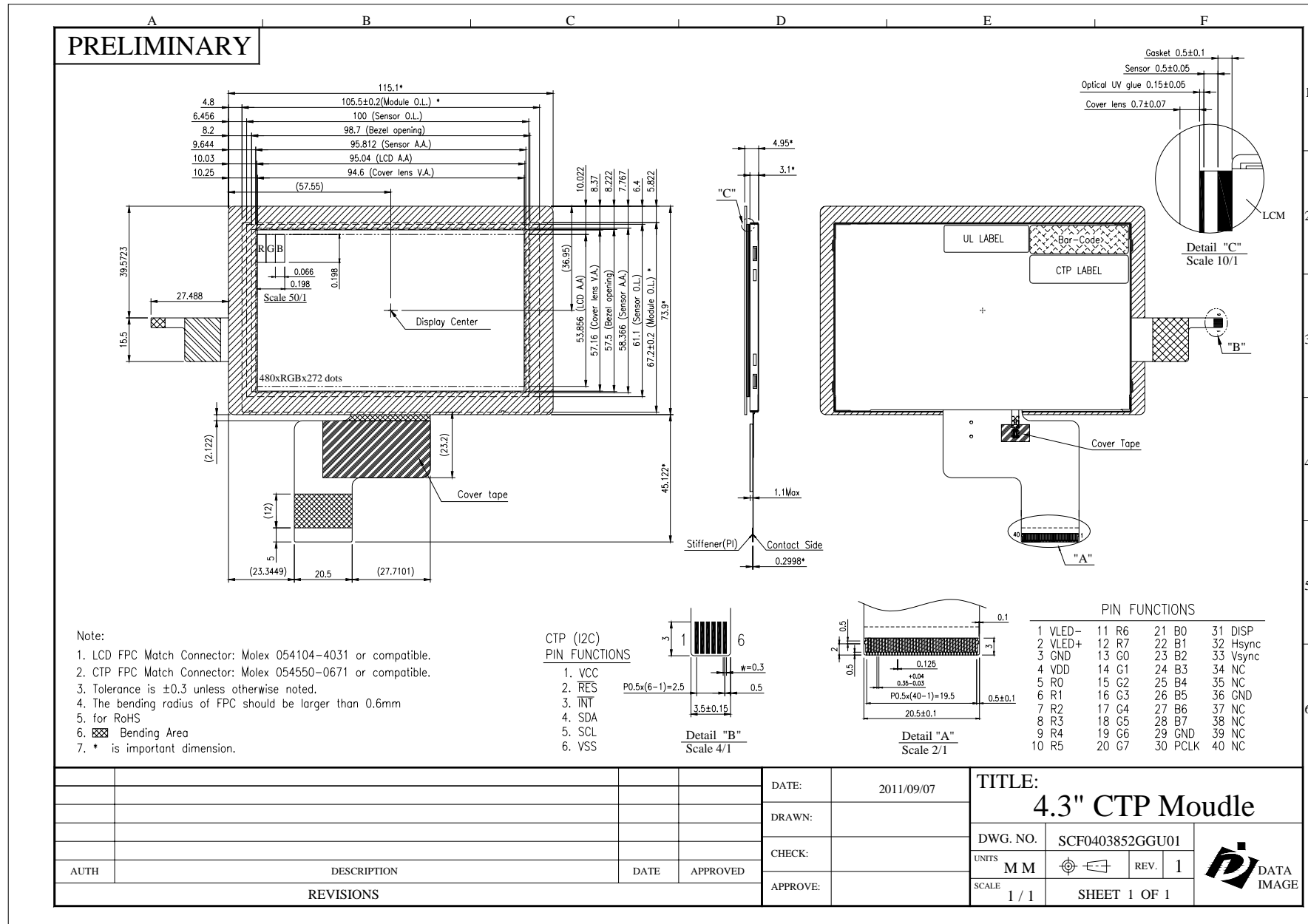
2.5 Storage

If any fluid leaks out of a damaged glass cell, wash off any human part that comes into contact with soap and water. Never swallow the fluid. The toxicity is extremely low but caution should be exercised at all the time.

2.6 Limited Warranty

Unless otherwise agreed between DATA IMAGE and customer, DATA IMAGE will replace or repair any of its LCD and LCM which is found to be defective electrically and visually when inspected in accordance with DATA IMAGE acceptance standards, for a period on one year from date of shipment. Confirmation of such date shall be based on freight documents. The warranty liability of DATA IMAGE is limited to repair and/or replacement on the terms set forth above. DATA IMAGE will not responsible for any subsequent or consequential events.

14. OUTLINE DRAWING



15. PACKAGE INFORMATION

TBD