

Version :0.4



Inselkammerstr. 10
82008 Unterhaching
Tel: +49 89 614 503 40
www.hy-line.de/computer

TECHNICAL SPECIFICATION

MODEL NO. : PD121XL4

The content of this information is subject to be changed without notice.
Please contact PVI or its agent for further information.




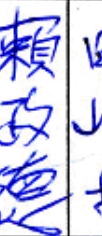


Customer's Confirmation

Customer _____

Date _____

By _____

PVI's Confirmation

Dep	ASD	Panel Design	Electronic Design	Mechanical Design	Product Verification	Prepared by
SIGN						

Revision History

Rev.	Eng.	Issued Date	Revised Contents
0.1	Sarah Huang	July 18,2008	Preliminary
0.2	Sarah Huang	Sep 02,2008	Modify Page 5 4. Mechanical Drawing of TFT-LCD Module Page 16 13. Optical Characteristics Horizontal View angle from 70 to 75 Vertical View angle from 50/40 to 75/45 Contrast Ratio from 400 to 600 nit
0.3	Sarah Huang	Nov 18,2008	Modify Page 5 4. Mechanical Drawing of TFT-LCD Module
0.4	Sarah Huang	Feb 5, 2009	Modify Page 5,6 4. Mechanical Drawing of TFT-LCD Module

TECHNICAL SPECIFICATION**CONTENTS**

NO.	ITEM	PAGE
-	Cover	1
-	Revision History	2
-	Contents	3
1	Application	4
2	Features	4
3	Mechanical Specifications	4
4	Mechanical Drawing of TFT-LCD Module	5
5	Input / Output Terminals	7
6	Absolute Maximum Ratings	8
7	Electrical Characteristics	9
8	Pixel Arrangement	10
9	Display Color and Gray Scale Reference	11
10	Block Diagram	12
11	Interface Timing	13
12	Power On Sequence	15
13	Optical Characteristics	16
14	Handling Cautions	19
15	Reliability Test	20
16	Packing Diagram	21

1. Application

The PD121XL4 is a 12.1" TFT-LCD module with LED B/L and a 20-pin LVDS interface. This module supports 1024 x768 XGA mode and displays 262,144 colors. This module can apply TFT-LCD monitor, TV, Factory application, Amusement Vehicle, and so on.

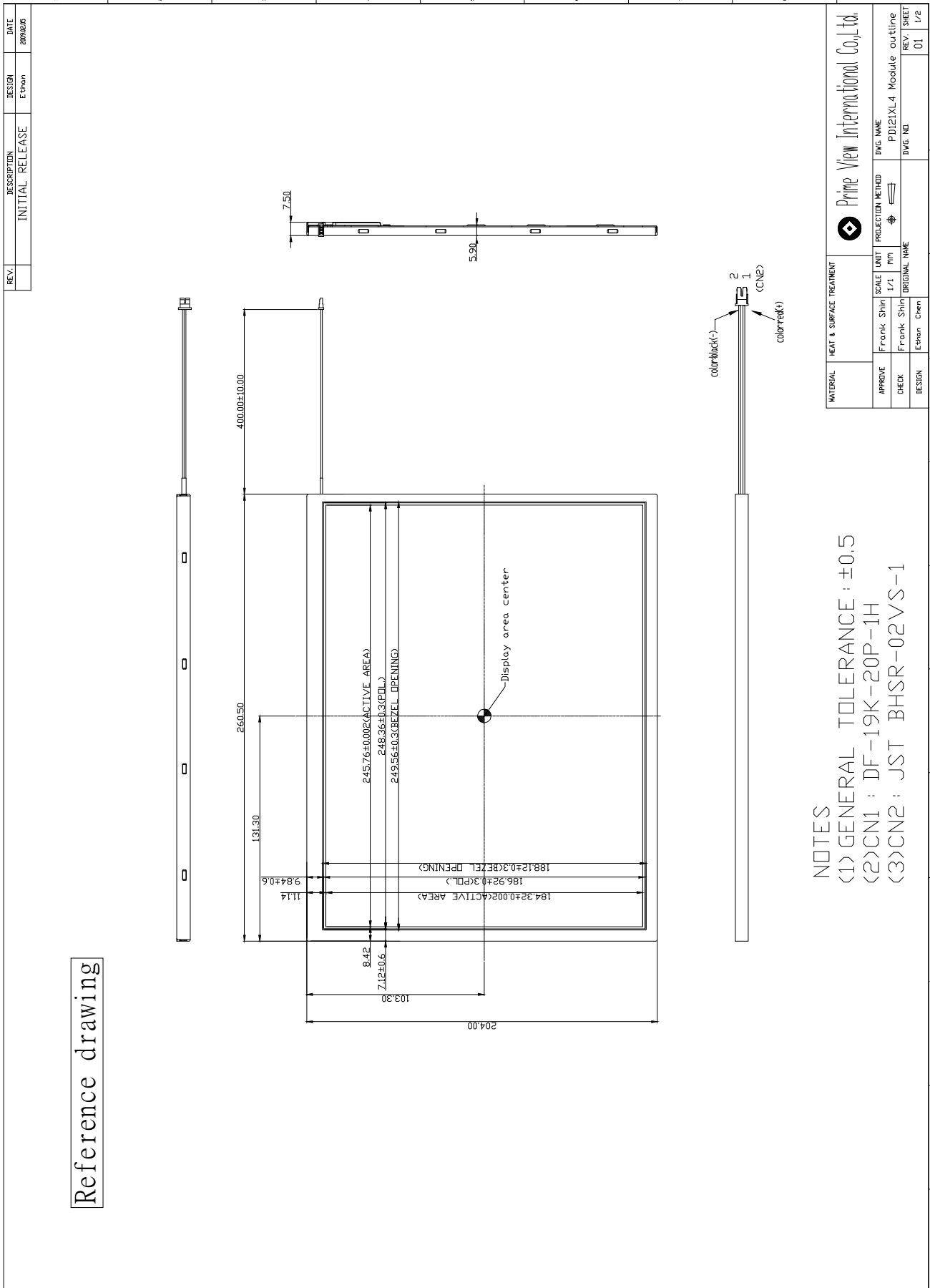
2. Features

- Wide viewing angle
- Fast response time
- High color saturation
- XGA (1024 x768 pixels) resolution
- Wide operating temperature
- DE (Data Enable) mode
- LVDS (Low Voltage Differential Signaling) interface
- RoHS Compliance

3. Mechanical Specifications

Parameter	Specifications	Unit
Screen Size	12.1 (diagonal)	inch
Display Format	1024x(R, G, B)x768	dot
Display Colors	262,144	
Active Area	245.76(H)x184.32(V)	mm
Pixel Pitch	0.240(H)x0.240(V)	mm
Pixel Configuration	RGB Vertical Stripe	
Outline Dimension	260.5(W)x 204(H)x 7.5(typ.) (D)	mm
Weight	TBD	g
Back-light	54-LED	
Surface treatment	Anti-glare	
Display mode	Normally White	
Gray scale inversion direction	12 O'clock	Note 13-2

4. Mechanical Drawing of TFT-LCD Module:

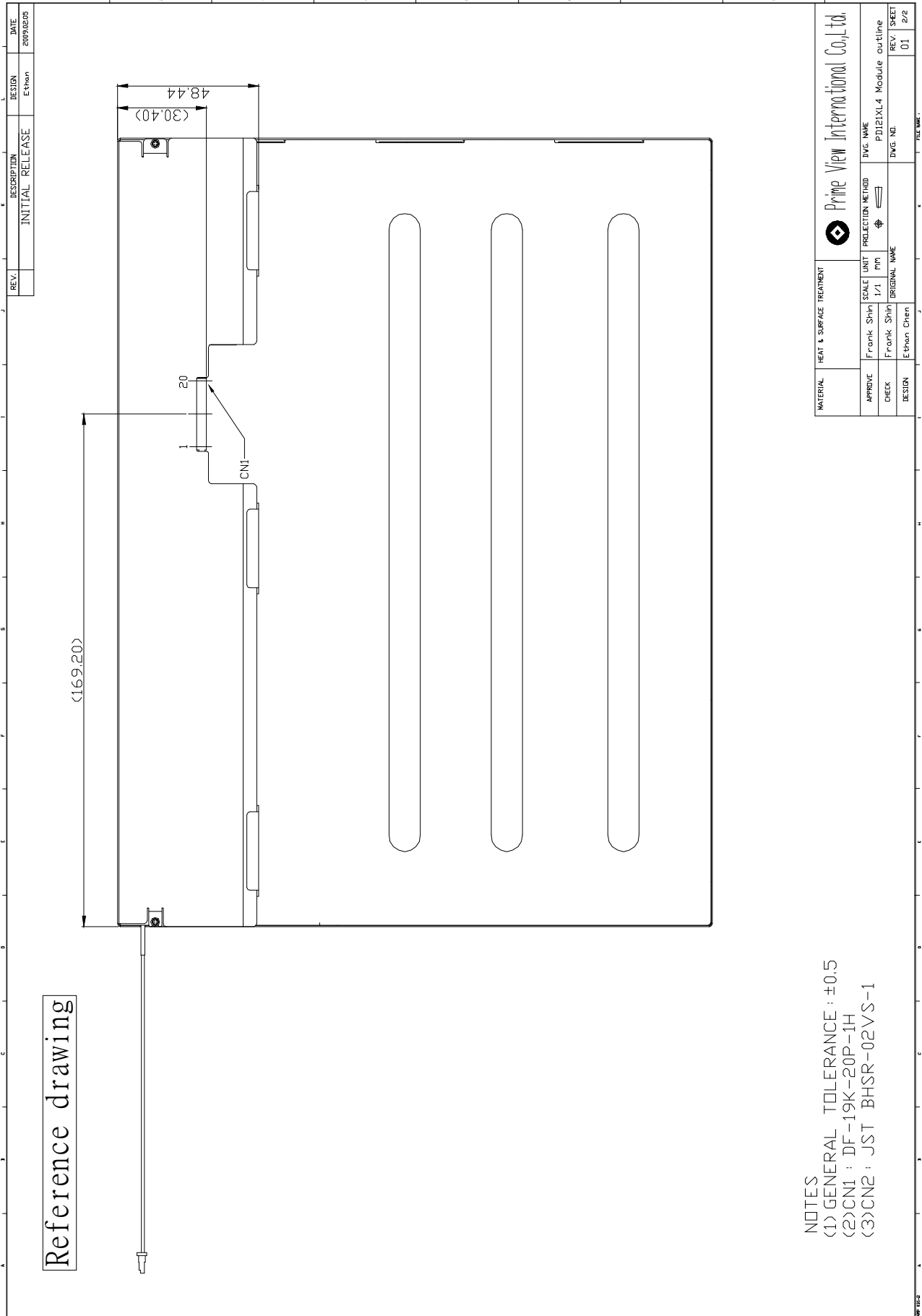


Reference drawing

NOTES
 (1) GENERAL TOLERANCE : ±0.5
 (2)CN1 : DF-19K-20P-1H
 (3)CN2 : JST BHSR-02VS-1

REV.	DESCRIPTION	DESIGN	DATE
	INITIAL RELEASE	Ethan	200905

MATERIAL	HEAT & SURFACE TREATMENT	Prime View International Co., Ltd	
APPROVE	Frank Shih	SCALE	UNIT
CHECK	Frank Shih	1:1	mm
DESIGN	Ethan Chen	PROJECTION METHOD	Module outline
		1st angle	PD121XL4
		ORIGINAL NAME	Module outline
		DWG. NO.	01
		REV.	1/2



Reference drawing

- NOTES
- (1) GENERAL TOLERANCE : ±0.5
 - (2)CN1 : DF-19K-20P-1H
 - (3)CN2 : JST BHSR-02VS-1

REV.	DESCRIPTION	DESIGN	DATE
	INITIAL RELEASE	Ethan	2009/02/09

MATERIAL		HEAT & SURFACE TREATMENT		PRIME VIEW INTERNATIONAL CO., LTD.	
APPROVE	Frank Shin	SCALE	UNIT	DWG. NAME	
CHECK	Frank Shin	1/1	Pin	PD121XL4 Module outline	
DESIGN	Ethan Chen	PROJECTION METHOD	ORIGINAL NAME	DWG. NO.	REV. SHEET
		Φ			01 2/2

5. Input / Output Terminals

5-1) TFT-LCD Panel Driving

Connector type: DF19K-20P-1H

CN1	Interface connector	Hirose/DF19L-20P-1H or equivalent
	User side connector	Hirose/DF19G-20S-1C or equivalent

Pin No.	Symbol	Function	Remark
1	VSS	Ground	
2	VDD1	Power Supply: +3.3V	
3	VDD2	Power Supply: +3.3V	
4	VDD_EDID	EDID: +3.3V	
5	NC	Reserved	
6	Cik_EDID	EDID Cik	
7	Cik_Data	EDID Data	
8	RIN0-	LVDS Negative data signal (-)	Tx pin #48
9	RIN0+	LVDS Positive data signal (+)	Tx pin #47
10	VSS	Ground	
11	RIN1-	LVDS Negative data signal (-)	Tx pin #46
12	RIN1+	LVDS Positive data signal (+)	Tx pin #45
13	VSS	Ground	
14	RIN2-	LVDS Negative data signal (-)	Tx pin #42
15	RIN2+	LVDS Positive data signal (+)	Tx pin #41
16	VSS	Ground	
17	RCLKIN-	LVDS Negative clock signal (-)	Tx pin #40
18	RCLKIN+	LVDS Positive clock signal (+)	Tx pin #39
19	VSS	Ground	
20	VSS	Ground	

5-2) Backlight driving

Connector type: JST BHSR-02VS-1, PIN No 2 pin

Pin No	Symbol	Description	Remark
1	+	Input terminal (Anode)	Wire color: Red
2	-	Input terminal (Cathode)	Wire Color: Black

5-3) LVDS Interface

LVDS Transmitter: THC63LVDM83A or equivalent

Input signal	Transmitter		Interface	
	Pin No	Pin No	System (Tx)	TFT-LCD (Rx)
R0	51	48 47	OUT0- OUT0+	IN0- IN0+
R1	52			
R2	54			
R3	55			
R4	56			
R5	3			
G0	4	46 45	OUT1- OUT1+	IN1- IN1+
G1	6			
G2	7			
G3	11			
G4	12			
G5	14			
B0	15	42 41	OUT2- OUT2+	IN2- IN2+
B1	19			
B2	20			
B3	22			
B4	23			
B5	24			
HSYNC	27	40	CLKOUT-	CLKIN-
VSYNC	28			
DE	30	39	CLKOUT+	CLKIN+
MCLK	31			

6. Absolute Maximum Ratings:

The followings are maximum values, which if exceeded, may cause faulty operation or damage to the unit.

GND=0V, Ta=25°C

Parameters	Symbol	MIN.	MAX.	Unit	Remark
Logic Power Supply	V _{DD}	VSS-0.3	+4.0	V	
Logic Input Voltage	V _{IN}	VSS-0.3	V _{DD} +0.3	V	Note 6-1

Note 6-1: Permanent damage to the device may occur if maximum values are exceeded. Function operation should be restricted to the conditions described under Normal Operating Conditions.

7. Electrical Characteristics

7-1) Recommended Operating Conditions:

Ta=25 ± 2°C

Parameter	Symbol	Value			Unit	Note
		Min.	Typ.	Max.		
Power Supply Voltage	V _{DD}	3.0	3.3	3.6	V	Note 7-1
Power Supply Current	I _{DD}	-	280	485	mA	
Power Consumption	P _{DD}	-	0.9	1.6	W	Note 7-2
LVDS differential voltage	V _{ID}	-100	-	+100	mV	
LVDS common input voltage	V _{ic}	-	1.2	-	V	

Note7-1: The module is recommended to operate within specification ranges listed above for normal function.

Note 7-2: P_{DD}=V_{DD} × I_{DD}

7-2) Recommended driving condition for LED backlight:

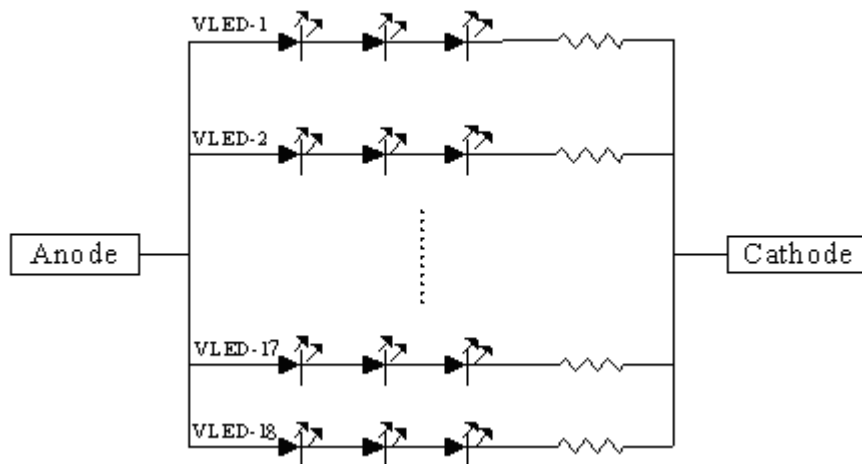
Ta = 25°C

Parameter	Symbol	Min	TYP	MAX	Unit	Remark
Supply voltage of LED backlight	V _{LED1}	-	9.9	(10.8)	V	Note 7-3
Supply current of LED backlight	I _{LED1}	-	20	-	mA	Note 7-4
Backlight Power Consumption	P _{LED}	-	3.56	(3.89)	W	Note 7-3/7-5

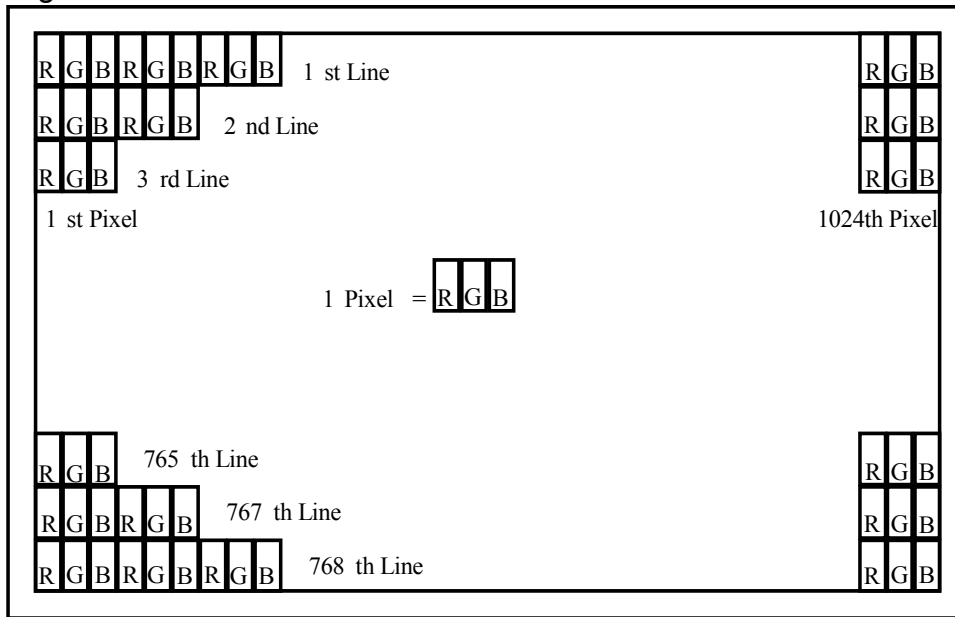
Note 7-3: I_{LED} = 20mA, Constant Current.

Note 7-4: The LED driving condition is defined for each LED module. (3 LED Serial)
Input current = 360mA

Note 7-5: P_{LED} = V_{LED1} * I_{LED1} +V_{LED2} * I_{LED2} +.....+V_{LED17} * I_{LED17} +V_{LED18} * I_{LED18}



8. Pixel Arrangement



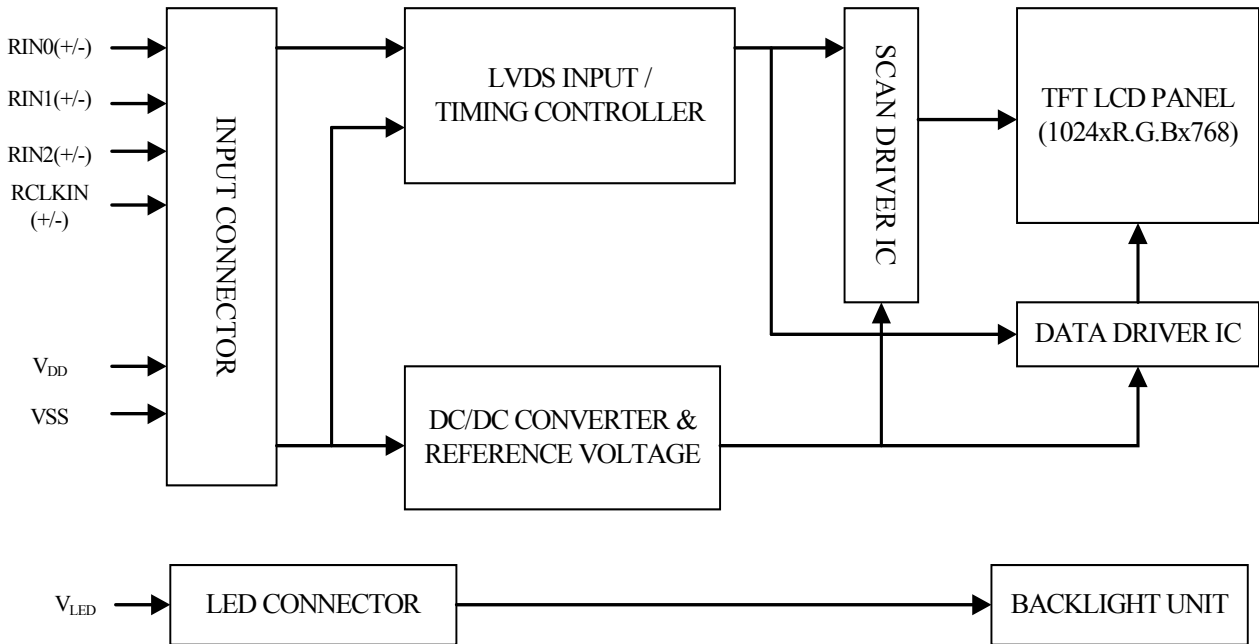
9. Display Color and Gray Scale Reference

Color		Data Signal																	
		Red						Green						Blue					
		R5	R4	R3	R2	R1	R0	G5	G4	G3	G2	G1	G0	B5	B4	B3	B2	B1	B0
Basic Colors	Black	0	0	0	0	0	0	0	0	0	0	0	0	0	0	0	0	0	0
	Red	1	1	1	1	1	1	0	0	0	0	0	0	0	0	0	0	0	0
	Green	0	0	0	0	0	0	1	1	1	1	1	1	0	0	0	0	0	0
	Blue	0	0	0	0	0	0	0	0	0	0	0	0	1	1	1	1	1	1
	Cyan	0	0	0	0	0	0	1	1	1	1	1	1	1	1	1	1	1	1
	Magenta	1	1	1	1	1	1	0	0	0	0	0	0	1	1	1	1	1	1
	Yellow	1	1	1	1	1	1	1	1	1	1	1	1	0	0	0	0	0	0
	White	1	1	1	1	1	1	1	1	1	1	1	1	1	1	1	1	1	1
Gray Scale Of Red	Red(0)/Dark	0	0	0	0	0	0	0	0	0	0	0	0	0	0	0	0	0	0
	Red(1)	0	0	0	0	0	1	0	0	0	0	0	0	0	0	0	0	0	0
	Red(2)	0	0	0	0	1	0	0	0	0	0	0	0	0	0	0	0	0	0
	:	:	:	:	:	:	:	:	:	:	:	:	:	:	:	:	:	:	:
	:	:	:	:	:	:	:	:	:	:	:	:	:	:	:	:	:	:	:
	:	:	:	:	:	:	:	:	:	:	:	:	:	:	:	:	:	:	:
	Red(61)	1	1	1	1	0	1	0	0	0	0	0	0	0	0	0	0	0	0
	Red(62)	1	1	1	1	1	0	0	0	0	0	0	0	0	0	0	0	0	0
Red(63)	1	1	1	1	1	1	0	0	0	0	0	0	0	0	0	0	0	0	
Gray Scale Of Green	Green(0)/Dark	0	0	0	0	0	0	0	0	0	0	0	0	0	0	0	0	0	0
	Green(1)	0	0	0	0	0	0	0	0	0	0	0	1	0	0	0	0	0	0
	Green(2)	0	0	0	0	0	0	0	0	0	0	1	0	0	0	0	0	0	0
	:	:	:	:	:	:	:	:	:	:	:	:	:	:	:	:	:	:	:
	:	:	:	:	:	:	:	:	:	:	:	:	:	:	:	:	:	:	:
	:	:	:	:	:	:	:	:	:	:	:	:	:	:	:	:	:	:	:
	Green(61)	0	0	0	0	0	0	1	1	1	1	0	1	0	0	0	0	0	0
	Green(62)	0	0	0	0	0	0	1	1	1	1	1	0	0	0	0	0	0	0
Green(63)	0	0	0	0	0	0	1	1	1	1	1	1	0	0	0	0	0	0	
Gray Scale Of Blue	Blue(0)/Dark	0	0	0	0	0	0	0	0	0	0	0	0	0	0	0	0	0	0
	Blue(1)	0	0	0	0	0	0	0	0	0	0	0	0	0	0	0	0	0	1
	Blue(2)	0	0	0	0	0	0	0	0	0	0	0	0	0	0	0	0	1	0
	:	:	:	:	:	:	:	:	:	:	:	:	:	:	:	:	:	:	:
	:	:	:	:	:	:	:	:	:	:	:	:	:	:	:	:	:	:	:
	:	:	:	:	:	:	:	:	:	:	:	:	:	:	:	:	:	:	:
	Blue(61)	0	0	0	0	0	0	0	0	0	0	0	0	1	1	1	1	0	1
	Blue(62)	0	0	0	0	0	0	0	0	0	0	0	0	1	1	1	1	1	0
Blue(63)	0	0	0	0	0	0	0	0	0	0	0	0	1	1	1	1	1	1	
Gray Scale Of Black	Black(0)/Dark	0	0	0	0	0	0	0	0	0	0	0	0	0	0	0	0	0	0
	Gray (1)	0	0	0	0	0	1	0	0	0	0	0	1	0	0	0	0	0	1
	Gray (2)	0	0	0	0	1	0	0	0	0	0	1	0	0	0	0	0	1	0
	:	:	:	:	:	:	:	:	:	:	:	:	:	:	:	:	:	:	:
	:	:	:	:	:	:	:	:	:	:	:	:	:	:	:	:	:	:	:
	:	:	:	:	:	:	:	:	:	:	:	:	:	:	:	:	:	:	:
	Gray (61)	1	1	1	1	0	1	1	1	1	0	1	1	1	1	1	0	1	1
	Gray (62)	1	1	1	1	1	0	1	1	1	1	1	0	1	1	1	1	1	0
White(63)	1	1	1	1	1	1	1	1	1	1	1	1	1	1	1	1	1	1	

Note 9-1: 0: Low Level Voltage, 1: High Level Voltage

10. Block Diagram

10-1) TFT-module Block Diagram



11. Interface Timing

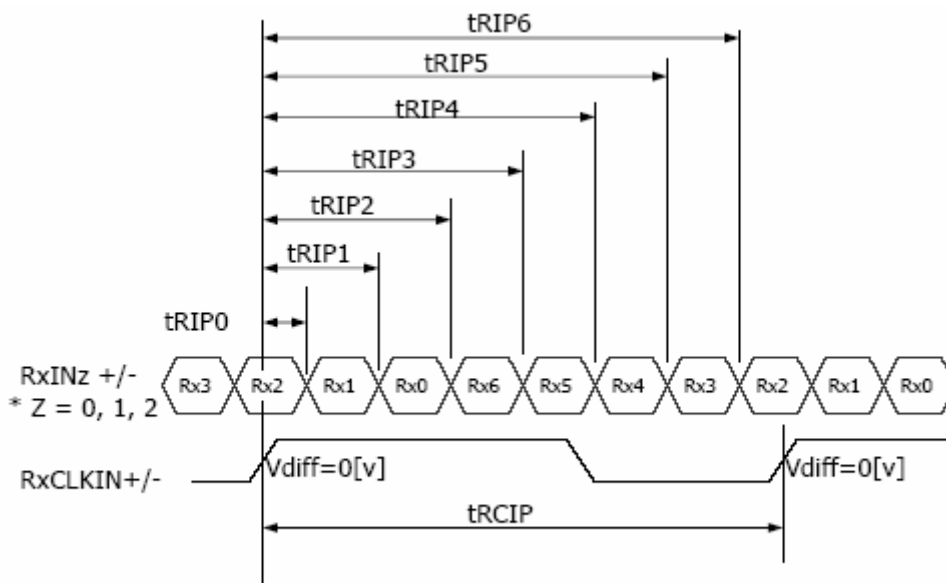
11-1) The 12.1" XGA LCM is operated by the only DE mode (LVDS Transmitter Input)

Item	Symbols	Min	Typ	Max	Unit
Clock	Frequency	1/Tc	65	80	MHz
	High Time	Tch	4.5	-	ns
	Low Time	Tcl	4.5	-	ns
Data	Setup Time	Tds	2.7	-	ns
	Hold Time	Tdh	0	-	ns
Data Enable Setup Time	Tes	2.7	-	-	ns
Frame Period	Tv	772	806	1022	lines
Vertical Display Period	Tvd	768	768	768	lines
One Line Scanning Period	Th	1100	1344	2046	clocks
Horizontal Display Period	Thd	1024	1024	1024	clocks

11-2) LVDS Rx interface timing parameter

The specification of the LVDS Rx interface timing parameter

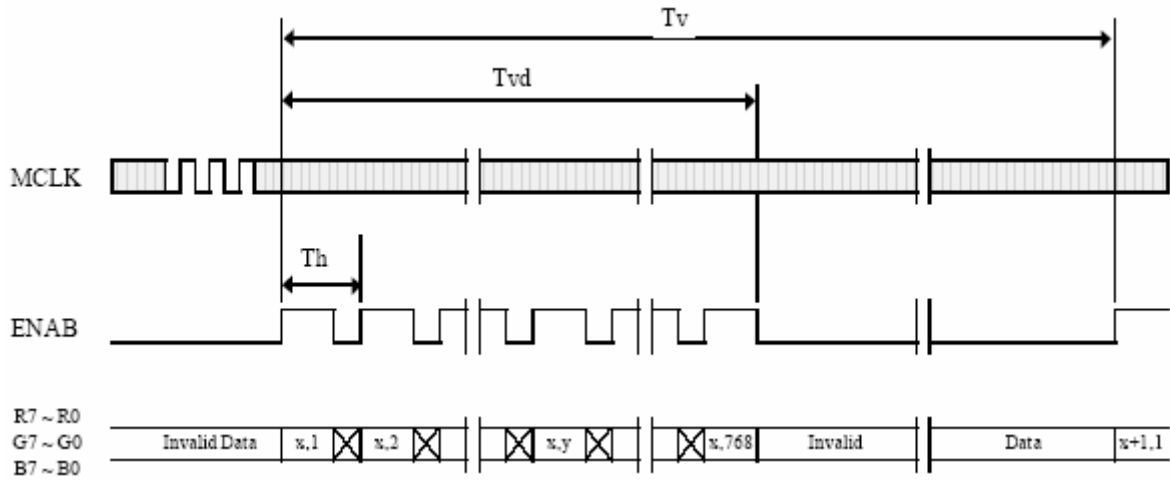
Item	Symbol	Min	Typ	Max	Unit	Remark
CLKIN Period	tRCIP	12.5	15.38		nsec	
Input Data 0	tRIP0	-0.4	0.0	+0.4	nsec	
Input Data 1	tRIP1	tRCIP/7-0.4	tRCIP/7	tRCIP/7+0.4	nsec	
Input Data 2	tRIP2	2 × tRCIP/7-0.4	2 × tRCIP/7	2 × tRCIP/7+0.4	nsec	
Input Data 3	tRIP3	3 × tRCIP/7-0.4	3 × tRCIP/7	3 × tRCIP/7+0.4	nsec	
Input Data 4	tRIP4	4 × tRCIP/7-0.4	4 × tRCIP/7	4 × tRCIP/7+0.4	nsec	
Input Data 5	tRIP5	5 × tRCIP/7-0.4	5 × tRCIP/7	5 × tRCIP/7+0.4	nsec	
Input Data 6	tRIP6	6 × tRCIP/7-0.4	6 × tRCIP/7	6 × tRCIP/7+0.4	nsec	



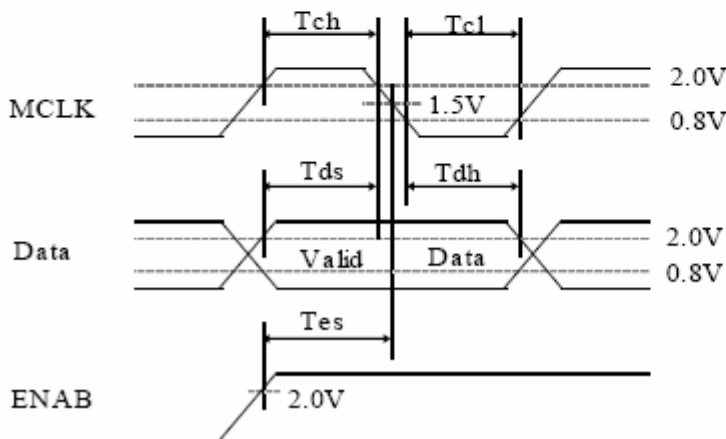
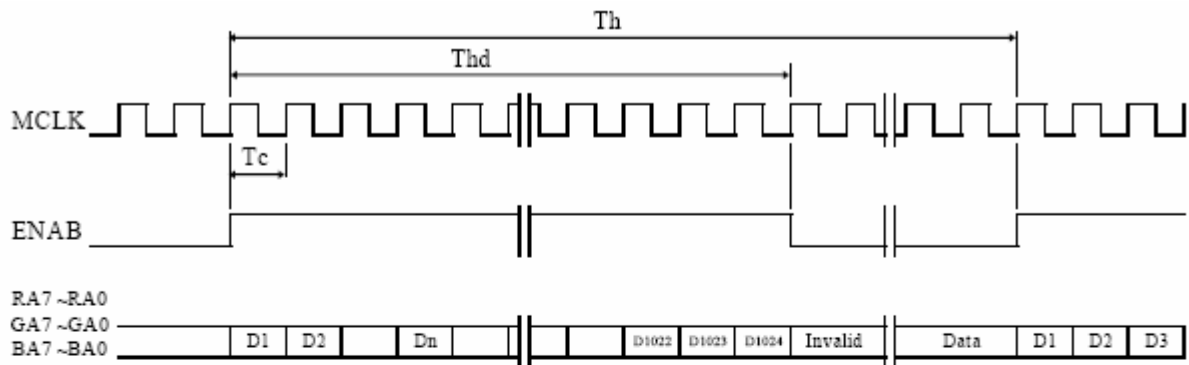
* Vdiff = (RINz+)-(RINz-), (RCLKIN+)-(RCLKIN-)

11-3) Signal Timing Waveforms of Interface Signal (DE Mode)

A) Vertical Timing Waveforms

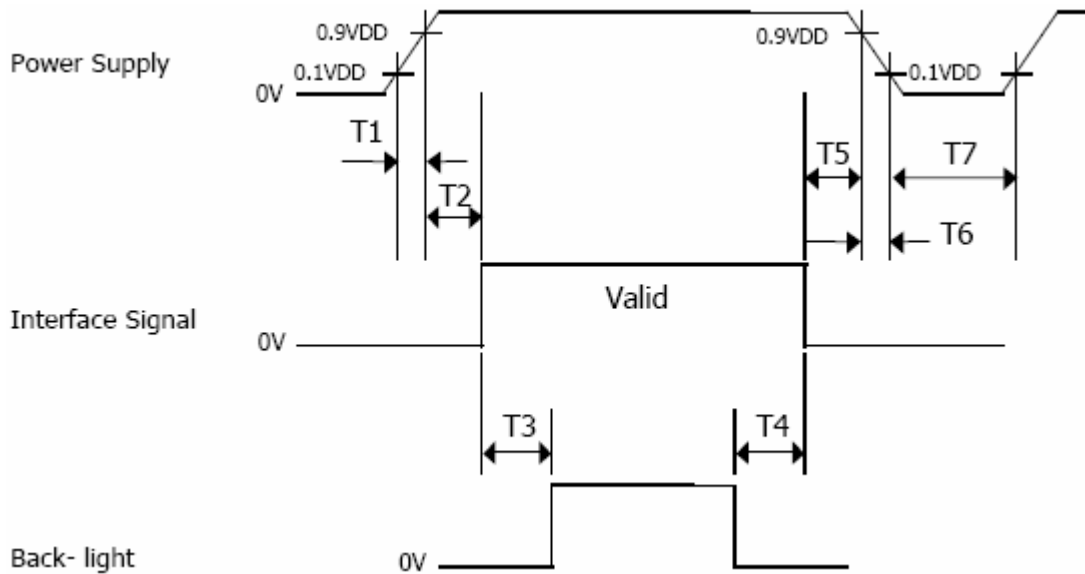


B) Horizontal Timing Waveforms



12. Power On Sequence

To prevent a latch-up or DC operation of the LCD module, the power on/off sequence shall be as shown in below



- $0 < T1 \leq 10 \text{ ms}$
- $0 < T2 \leq 50 \text{ ms}$
- $200 \text{ ms} \leq T3$
- $0 \text{ ms} \leq T4, 0 \text{ ms} \leq T5$
- $0 \leq T6 \leq 10 \text{ ms}$
- $150 \text{ ms} \leq T7$

Note 12-1: When the power supply VDD is 0V, keep the level of input signals on the low or keep high impedance.

Note 2-2 : Do not keep the interface signal high impedance when power is on.

Note 12-3: Back Light must be turn on after power for logic and interface signal are valid.

13. Optical Characteristics

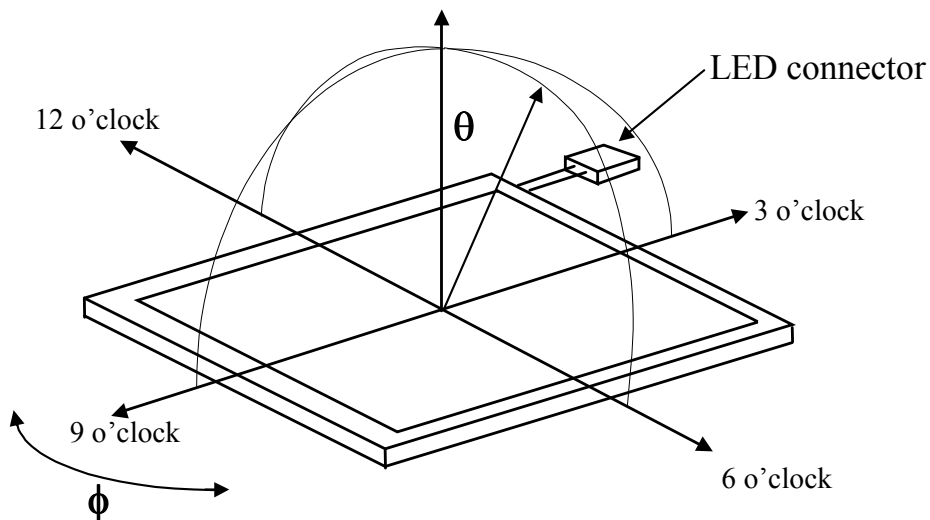
13.1) Specification:

Ta=25°C

Parameter		Symbol	Condition	MIN.	TYP.	MAX.	Unit	Remarks
Viewing Angle	Horizontal	θ	$CR \geq 10$	(70)	(75)	-	deg	Note 13-2
	Vertical	θ (to 12 o'clock)		(70)	(75)	-	deg	
		θ (to 6 o'clock)		(40)	(45)	-	deg	
Contrast Ratio		CR	$\theta = 0^\circ$	(500)	(600)		-	Note 13-3
Response time	Rise	Tr	$\theta = 0^\circ$	-	(10)	(20)	ms	Note 13-5
	Fall	Tf		-	(20)	(40)	ms	
Brightness		L	$\theta = 0^\circ / \varphi = 0$	(400)	(550)	-	cd/m ²	Note 13-1
LED Life Time		-	-	20000	30000	-	hrs	Note 13-4
White Chromaticity		x	$\theta = 0^\circ / \varphi = 0$	-	TBD	-	-	Note 13-1
		y	$\theta = 0^\circ / \varphi = 0$	-	TBD	-	-	
Uniformity		U	-	70	75	-	%	Note 13-6
Cross Talk Ratio		CTK	-	-	-	3.5	%	Note 13-7

Note 13-1: Topcon BM-5A or BM-7 fast luminance meter 1° field of view is used in the testing.

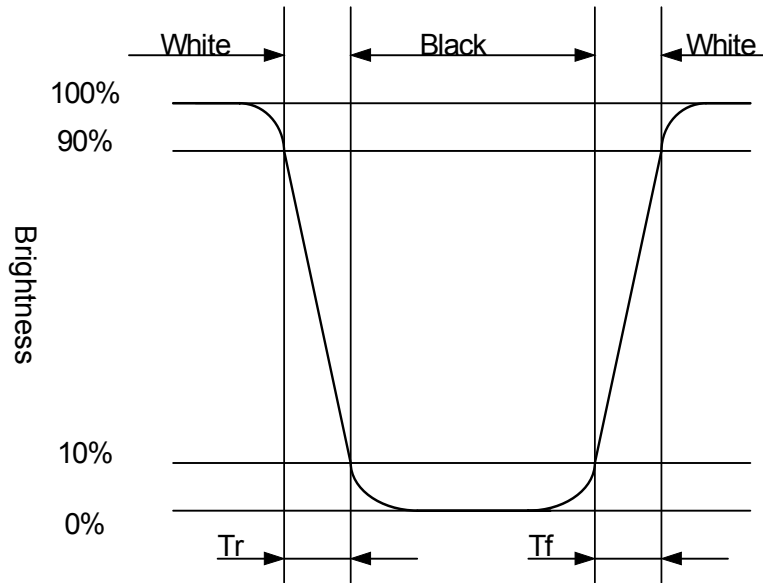
Note 13-2: The definitions of viewing angles are as follow



Note 3-3 : The definition of contrast ratio $CR = \frac{\text{Luminance at gray level 63}}{\text{Luminance at gray level 0}}$

Note 13-4: The “LED Life time “ is defined as the module brightness decrease to 50% original Brightness that the ambient temperature is 25°C and I_{LED} =360mA.

Note 3-5 : Definition of Response Time Tr and Tf



Note 13-6: The uniformity of LCD is defined as

$$U = \frac{\text{The Minimum Brightness of the 9 testing Points}}{\text{The Maximum Brightness of the 9 testing Points}}$$

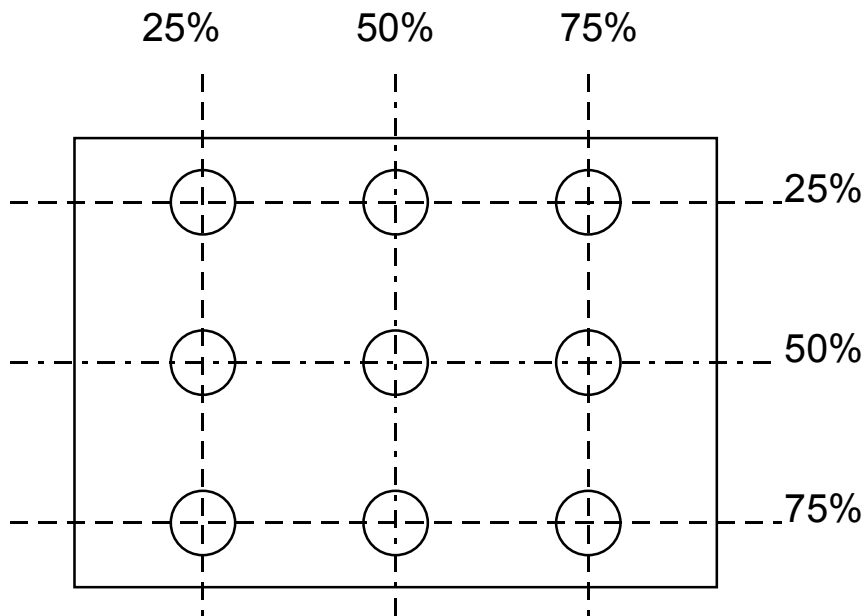
Luminance meter: BM-5A or BM-7 fast(TOPCON)

Measurement distance: 500 mm +/- 50 mm

Ambient illumination: < 1 Lux

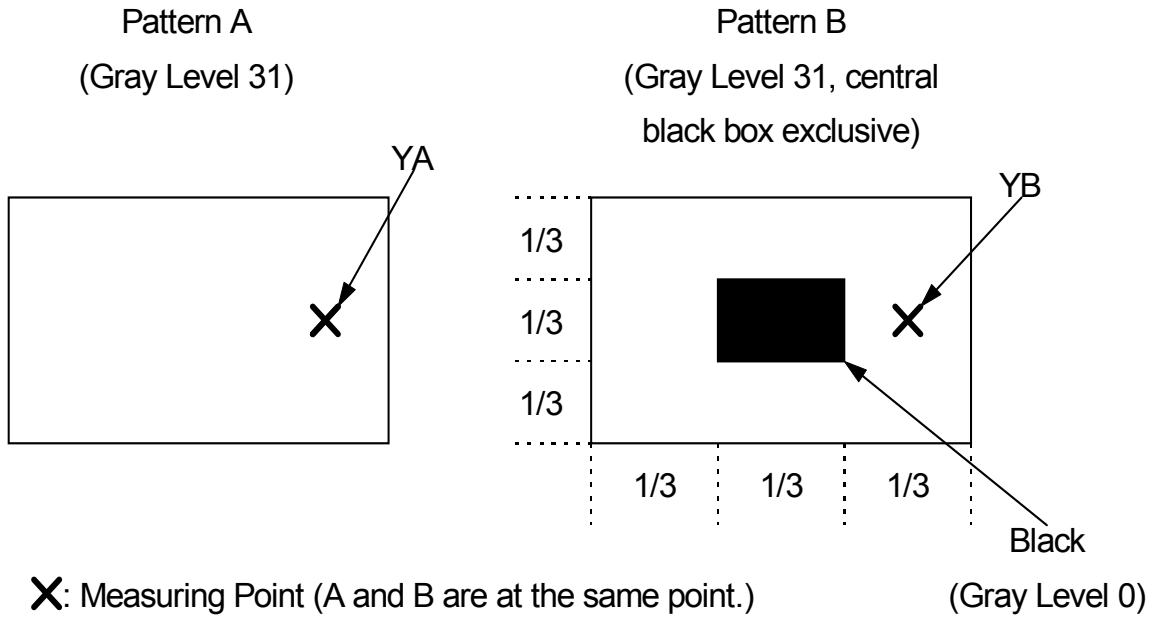
Measuring direction: Perpendicular to the surface of module

The test pattern is white (Gray Level 63).



Note 13-7: Cross Talk (CTK) = $\frac{|YA-YB|}{YA} \times 100\%$

YA: Brightness of Pattern A
 YB: Brightness of Pattern B
 Luminance meter: BM 5A (TOPCON)
 Measurement distance: 500 mm +/- 50 mm
 Ambient illumination: < 1 Lux
 Measuring direction: Perpendicular to the surface of module



14. Handling Cautions**14-1) Mounting of module**

- a) Please power off the module when you connect the input/output connector.
- b) Polarizer which is made of soft material and susceptible to flaw must be handled carefully.
- c) Protective film (Laminator) is applied on surface to protect it against scratches and dirt.
- d) Please following the tear off direction as figure 14-1 to remove the protective film as slowly as possible, so that electrostatic charge can be minimized.

14-2) Precautions in mounting

- a) When metal part of the TFT-LCD module (shielding lid and rear case) is soiled, wipe it with soft dry cloth.
- b) Wipe off water drops or finger grease immediately. Long contact with water may cause discoloration or spots.
- c) TFT-LCD module uses glass which breaks or cracks easily if dropped or bumped on hard surface. Please handle with care.
- d) Since CMOS LSI is used in the module. So take care of static electricity and earth yourself when handling.

14-3) Adjusting module

- a) Adjusting volumes on the rear face of the module have been set optimally before shipment.
- b) Therefore, do not change any adjusted values. If adjusted values are changed, the specifications described may not be satisfied.

14-4) Others

- a) Do not expose the module to direct sunlight or intensive ultraviolet rays for many hours.
- b) Store the module at a room temperature place.
- c) The voltage of beginning electric discharge may over the normal voltage because of leakage current from approach conductor by to draw lump read lead line around.
- d) If LCD panel breaks, it is possibly that the liquid crystal escapes from the panel. Avoid putting it into eyes or mouth. When liquid crystal sticks on hands, clothes or feet. Wash it out immediately with soap.
- e) Observe all other precautionary requirements in handling general electronic components.
- f) Please adjust the voltage of common electrode as material of attachment by 1 module.

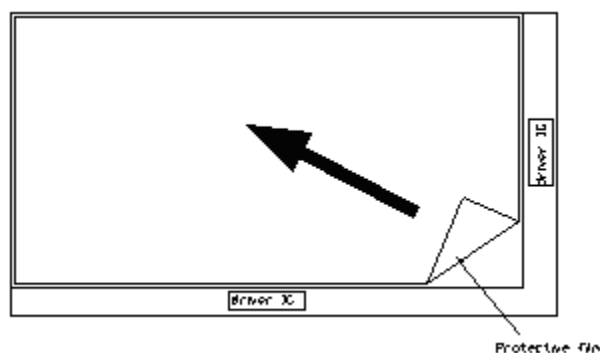


Figure 14-1 the way to peel off protective film

15. Reliability Test

No	Test Item	Test Condition
1	High Temperature Storage Test	Ta = +80°C, 240 hrs
2	Low Temperature Storage Test	Ta = -40°C, 240 hrs
3	High Temperature Operation Test	Ta = +70°C, 240 hrs
4	Low Temperature Operation Test	Ta = -30°C, 240 hrs
5	High Temperature & High Humidity Operation Test	Ta = 60°C, 90%RH, 240 hrs
6	Thermal Cycling Test (non-operating)	-30°C(0.5hour) →+70°C(0.5hour), 100Cycles
7	Vibration Test (non-operating)	Frequency : 10 ~ 57 Hz, Amplitude : 0.15 mm,58~500Hz, 1G Sweep time: 11 min Test Period: 3 hrs (1 hr for each direction of X, Y, Z)
8	Shock Test (non-operating)	80G, 6ms, X,Y, Z 1 times for each direction
9	Electrostatic Discharge Test (Operation)	C=150pF,R=330Ω Contact=±8KV Air=±15KV 10 times/terminal

Ta: ambient temperature

[Criteria]

In the standard conditions, there is not display function NG issue occurred. (including : line defect ,no image). All the cosmetic specification is judged before the reliability stress.

16. Packing Diagram
TBD