

# ***TFT-Display Datenblatt***

Modell PM070WX9

## **Kurzdaten**

Hersteller	E Ink / PrimeView
Diagonale	7,0" / 17,8 cm
Format	15:9
Auflösung	800 x 480
Backlight	LED / 950cd/m <sup>2</sup>
Interface	RGB
Touchscreen	nein
Temperatur	-30...+70°C (Betrieb)

Version : 1.0

<p>TECHNICAL SPECIFICATION</p> <p>MODEL NO. : PM070WX9</p>
--

The content of this information is subject to be changed without notice.  
Please contact PVI or its agent for further information.

Customer's Confirmation

Customer \_\_\_\_\_

Date \_\_\_\_\_

By \_\_\_\_\_

PVI's Confirmation

  
Confirmed By \_\_\_\_\_

  
Prepared By \_\_\_\_\_

## Revision History

Rev.	Issued Date	Revised Contents
0.1	Jun. 28 , 2007	Preliminary
0.2	Sep.12,2007	Modify Power Consumption $V_{GG}$ 、 $V_{EE}$ 、 $V_{DD1}$ 、 $V_{DD2}$ 、 $V_{CC}$ Page 4 3.Mechanical Specifications Modify Weight = (156±10) g Modify Outline Dimension Thickness change from 5.8mm (typ.) (D) to 6.2mm(D) Page 5 4.Mechanical Drawing of TFT-LCD Module Modify Outline Drawing Page 10 Add Note 5-11 Page 11 Add 5-3) Sensor driving Page 12 7.Electrical Characteristics Modify Note 7-3 Back-light Diagram Modify Supply voltage of LED backlight Modify Supply current of LED backlight change from 150mA to 120mA Page 26 14. Handling Cautions Delete 14-1) Mounting of module b) description Page 27 15. Reliability Test Modufy High Temperature Operation Test Change from $T_a = +80^{\circ}\text{C}$ to $T_a = +70^{\circ}\text{C}$
0.3	Nov.16,2007	Modify Power Consumption $V_{GG}$ 、 $V_{EE}$ 、 $V_{DD1}$ 、 $V_{DD2}$ 、 $V_{CC}$ Page 4 2. Features Delete CF, NTSC: 40.1% Page 5 4.Mechanical Drawing of TFT-LCD Module Modify Outline Drawing Page 11 Delete 5-3) Sensor driving
0.4	Mar.11,2008	Page 4 3.Mechanical Specifications Modify surface treatment from Anti-glare and Wide View Film to Anti-glare and EWV Page 5 4.Mechanical Drawing of TFT-LCD Module Modify Outline Drawing Page 22 13. Optical Characteristics Viewing Angle Horizontal from TYP.=60 MIN.=55 to TYP.=75 MIN.=70 Vertical(12 o'clock) from TYP.=40 MIN.=35 to TYP.=50 MIN.=45 Vertical(6 o'clock) from TYP.=55 MIN.=50 to TYP.=70 MIN.=65 Page 26 Modify Handling Cautions Page 27 15. Reliability Test Add Note 15-1
1.0	Oct. 13,2008	Page 5 4.Mechanical Drawing of TFT-LCD Module Modify Outline Drawing Page 22 13. Optical Characteristics Modify Brightness TYP. from 1000 change to 950

---

**TECHNICAL SPECIFICATION****CONTENTS**

<b>NO.</b>	<b>ITEM</b>	<b>PAGE</b>
-	Cover	1
-	Reversion History	2
-	Contents	3
1	Application	4
2	Features	4
3	Mechanical Specifications	4
4	Mechanical Drawing of TFT-LCD module	5
5	Input / Output Terminals	7
6	Absolute Maximum Ratings	11
7	Electrical Characteristics	12
8	Pixel Arrangement	13
9	Display Color and Gray Scale Reference	14
10	Block Diagram	15
11	Interface Timing	16
12	Power On Sequence	21
13	Optical Characteristics	22
14	Handling Cautions	26
15	Reliability Test	27
16	Packing Diagram	28

### 1.Application

This data sheet applies to a color TFT LCD module, PM070WX9.

The application of panel are OA product, portable DVD, car TV(must use Analog to Digital driving board), which requires high quality flat panel display.

Prime View advises your systems use PVI's timing controller IC (PVI-2003A) which will generate proper timing signals to control it.

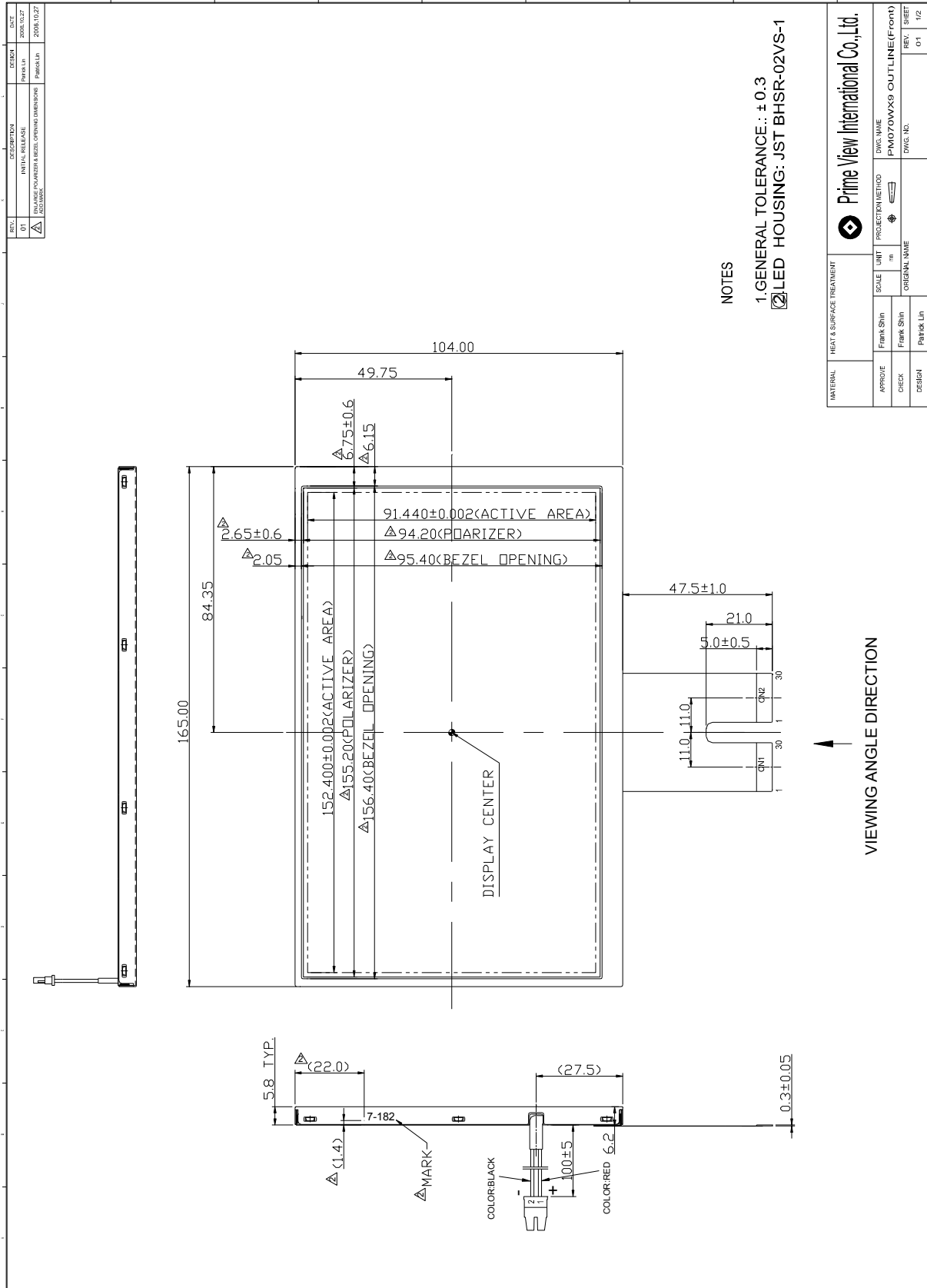
### 2. Features

- . Wide VGA (800\*480 pixels) resolution
- . Amorphous silicon TFT LCD panel with High Brightness LED back-light unit
- . Pixel in stripe configuration
- . Thin and light weight
- . Display Colors : 262,144 colors
- . TTL transmission interface
- . Wide viewing angle

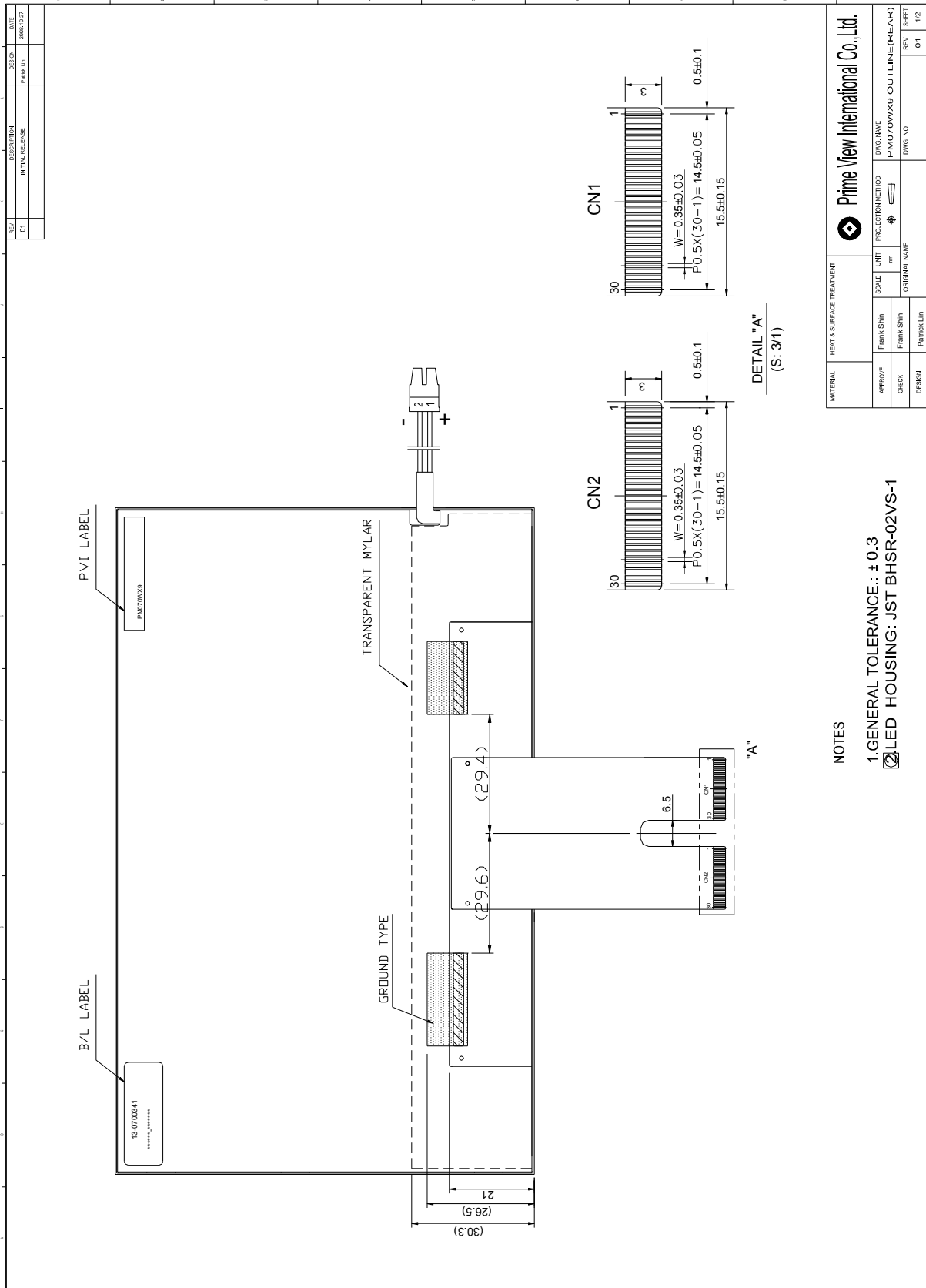
### 3.Mechanical Specifications

Parameter	Specifications	Unit
Screen Size	7.0(diagonal)	inch
Display Format	800×(R, G, B)×480	dot
Display Colors	262,144	-
Active Area	152.4 (H)X 91.44 (V)	mm
Pixel Pitch	0.1905(H)×0.1905(V)	mm
Pixel Configuration	Stripe	-
Outline Dimension	165.0 (W)X104.0 (H)×6.2 (typ.) (D)	mm
Weight	156±10	g
LED Back-light	18-middle power LED	-
Surface treatment	Anti-glare and EWV	-
Display mode	Normally white	-
Gray scale inversion direction	6 o'clock [ ref to Note 13-1 ]	-

**4.Mechanical Drawing of TFT-LCD Module**  
**Outline Drawing : Front View (unit mm)**



Outline Drawing : Rear View (unit mm)



**5.Input / Output Terminals**

5-1) TFT-LCD Panel Driving

**CN 1**

LCD Module Connector  
 FPC Down Connect , 30 Pins , Pitch : 0.5 mm

Pin No.	Symbol	I/O	Function	Remark
1	DIO1	I/O	Horizontal Start Pulse Signal Input or Output	Note 5-1
2	VSS1	I	Ground	
3	VDD1	I	Power Supply	
4	CLK	I	Horizontal Shift Clock	
5	VSS1	I	Ground	
6	R/L	I	Right / Left selection	Note 5-1
7	R0	I	Red Data (LSB)	
8	R1	I	Red Data	
9	R2	I	Red Data	
10	R3	I	Red Data	
11	R4	I	Red Data	
12	R5	I	Red Data (MSB)	
13	VSS1	I	Ground	
14	G0	I	Green Data (LSB)	
15	G1	I	Green Data	
16	G2	I	Green Data	
17	G3	I	Green Data	
18	G4	I	Green Data	
19	G5	I	Green Data (MSB)	
20	VSS1	I	Ground	
21	B0	I	Blue Data (LSB)	
22	B1	I	Blue Data	
23	B2	I	Blue Data	
24	B3	I	Blue Data	
25	B4	I	Blue Data	
26	B5	I	Blue Data (MSB)	
27	LD	I	Load output signal	Note 5-2
28	REV	I	Data invert control	Note 5-3
29	POL	I	Polarity selection	Note 5-4
30	DIO2	I/O	Horizontal Start Pulse Signal Input or Output	Note 5-1



**CN 2**

Pin No.	Symbol	I/O	Function	Remark
1	VSS2	I	Ground	
2	V1	I	Gamma Voltage 1	Note 5-10
3	V2	I	Gamma Voltage 2	Note 5-10
4	V3	I	Gamma Voltage 3	Note 5-10
5	V4	I	Gamma Voltage 4	Note 5-10
6	V5	I	Gamma Voltage 5	Note 5-10
7	V6	I	Gamma Voltage 6	Note 5-10
8	V7	I	Gamma Voltage 7	Note 5-10
9	VSS2	I	Ground	
10	V8	I	Gamma Voltage 8	Note 5-10
11	V9	I	Gamma Voltage 9	Note 5-10
12	V10	I	Gamma Voltage 10	Note 5-10
13	V11	I	Gamma Voltage 11	Note 5-10
14	V12	I	Gamma Voltage 12	Note 5-10
15	V13	I	Gamma Voltage 13	Note 5-10
16	V14	I	Gamma Voltage 14	Note 5-10
17	VSS2	I	Ground	
18	VDD2	I	Voltage for analog circuit	Note 5-10
19	VCOM	I	Common Voltage	
20	XON	I	NC	Note 5-11
21	OE	I	Output Enable	Note 5-5
22	U/D	I	Up / Down Selection	Note 5-6
23	CKV	I	Vertical Shift Clock	Note 5-7
24	STVU	I/O	Vertical Shift Pulse Signal Input or Output	Note 5-6
25	STVD	I/O	Vertical Shift Pulse Signal Input or Output	Note 5-6
26	VGG	I	Gate On Voltage	Note 5-8
27	GND	I	Ground	
28	VCC	I	Voltage for logic circuit	
29	GND	I	Ground	
30	VEE	I	Gate Off Voltage	Note 5-9

Note 5-1: Select left or right shift

R/L	DIO1	DIO2	Shift
1	Input	Hi-Z	Left to right
0	Hi-Z	Input	Right to left

Note 5-2: Latch the polarity of outputs and switch the new data to outputs  
At the rising edge (LD), latch the "POL" signal to control the polarity of the outputs.

Note 5-3: Control whether the Data R0~G5 are inverted or not. (PVI suggests connecting to GND)  
When "REV=1", these data will be inverted.  
EX: "00"→"3F", "07"→"38", "15"→"2A"

Note 5-4: Polarity selector for dot-inversion control. Available at the rising edge of LD.  
When POL=1: Even outputs range from V1~V7, and Odd outputs range from V8~V14;  
When POL=0: Even outputs range from V8~V14, and Odd outputs range from V1~V7.

Note 5-5: When OE is connected to high "1", the driver outputs are disabled (Gate output =  $V_{EE}$ ).  
Under this condition, the operation of registers will not be affected.

Note 5-6: Select up or down shift

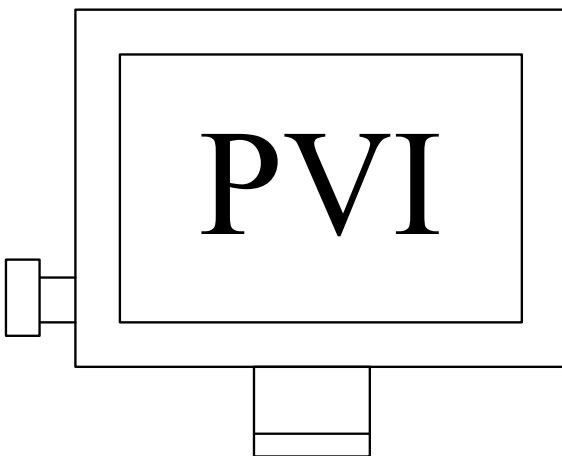
U/D	STVU	STVD	Shift
1	Hi-Z	Input	Down to Up
0	Input	Hi-Z	Up to Down

Note 5-7: Gate driver shift clock

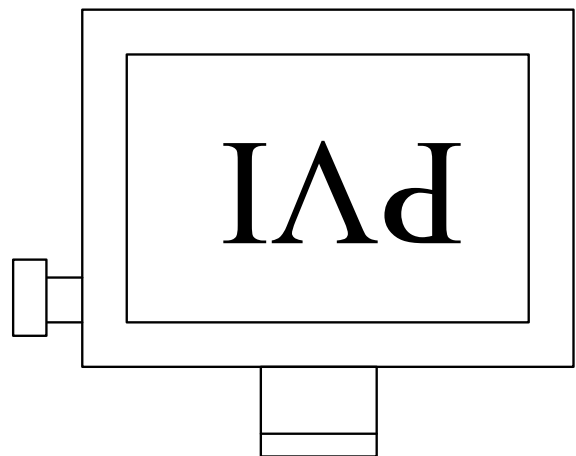
Note 5-8: Gate on voltage,  $V_{GG}=+17$  V.

Note 5-9: Gate off voltage,  $V_{EE}=-8$  V.

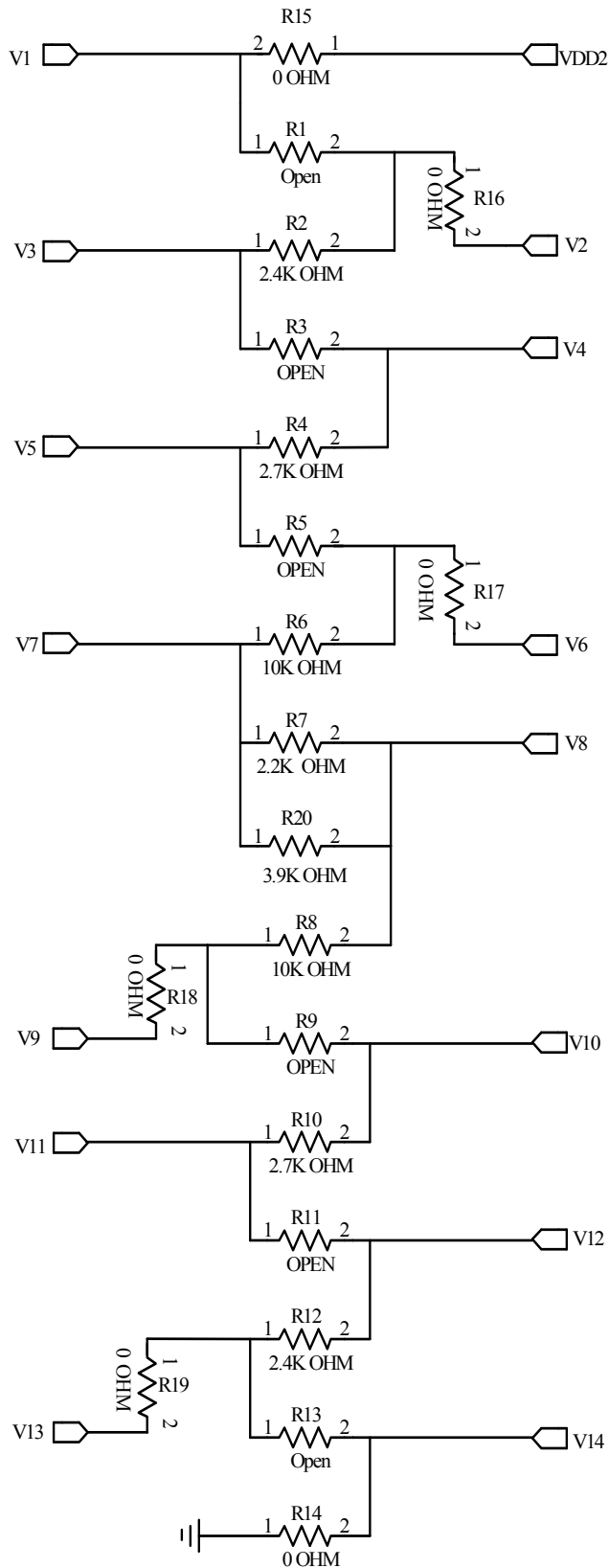
U/D(PIN22)=0、R/L(PIN6)=1



U/D(PIN22)=1、R/L(PIN6)=0



Note 5-10: Typical Application Circuit (When VDD2 = +9.5V)



Note 5-11 :This pin is NC or must connect VDD1

## 5-2) LED Backlight driving

Connector type: JST BHSR-02VS-1

Pin No	Symbol	Description	Remark
1	+	Input terminal (Anode)	Wire color : Red
2	-	Input terminal (Cathode)	Wire Color : Black

## 6. Absolute Maximum Ratings:

$$V_{SS1}=V_{SS2}=GND=0V, T_a=25^{\circ}C$$

Parameters	Symbol	MIN.	MAX.	Unit	Remark
Supply Voltage	$V_{DD1}$	-0.3	5.0	V	
	$V_{CC}$			V	
	$V_{DD2}$	-0.5	12.0	V	
	$V_{GG}$	-0.3	40.0	V	
	$V_{GG}-V_{EE}$	-0.3	40	V	
	$V_{EE}$	-20	0.3	V	
Digital Input	$V_{IN}$	-0.5	$V_{CC}+0.5$	V	

7.Electrical Characteristics

7-1) Recommended Operating Conditions:

$V_{SS1}=V_{SS2}=GND=0V, T_a=25^{\circ}C$

Item	Symbol	Min.	Typ.	Max.	Unit	Remark
Supply Voltage for Source Driver	$V_{DD1}$	+3.0	+3.3	+3.6	V	
	$V_{DD2}$	9	9.5	10	V	
Supply Voltage for Gate Driver	$V_{GG}$	-	17	-	V	
	$V_{EE}$	-	-8	-	V	
	$V_{CC}$	3.0	3.3	3.6	V	
Digital Input Voltage	$V_{IH}$	$0.8V_{DD1}$	-	$V_{DD1}$	V	
	$V_{IL}$	0	-	$0.2V_{DD1}$	V	
$V_{com}$ Voltage	$V_{com}$	-	3.6	-	V	

7-2) Recommended driving condition for LED back light

$T_a = 25^{\circ}C$

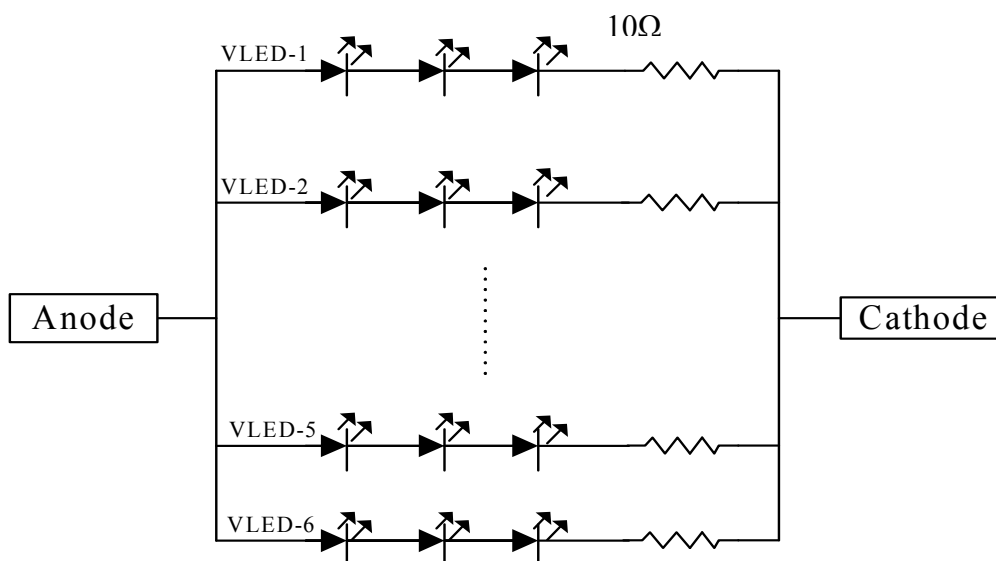
Parameter	Symbol	Min	TYP	MAX	Unit	Remark
Supply voltage of LED backlight	$V_{LED}$	-	-	(11.8)	V	Note 7-1
Supply current of LED backlight	$I_{LED}$	-	120	-	mA	Note 7-2
Backlight Power Consumption	$P_{LED}$	-	-	8.5	W	Note 7-1/Note 7-3

Note 7-1 :  $I_{LED} = 120mA$ (Constant Current).

Note 7-2 :The LED driving condition is defined for each LED module. (3 LED Serial)

$$\text{Input current} = 120mA * 6 = 720mA$$

Note 7-3 :  $P_{LED} = V_{LED-1} * I_{LED-1} + V_{LED-2} * I_{LED-2} \dots + V_{LED-5} * I_{LED-5} + V_{LED-6} * I_{LED-6}$



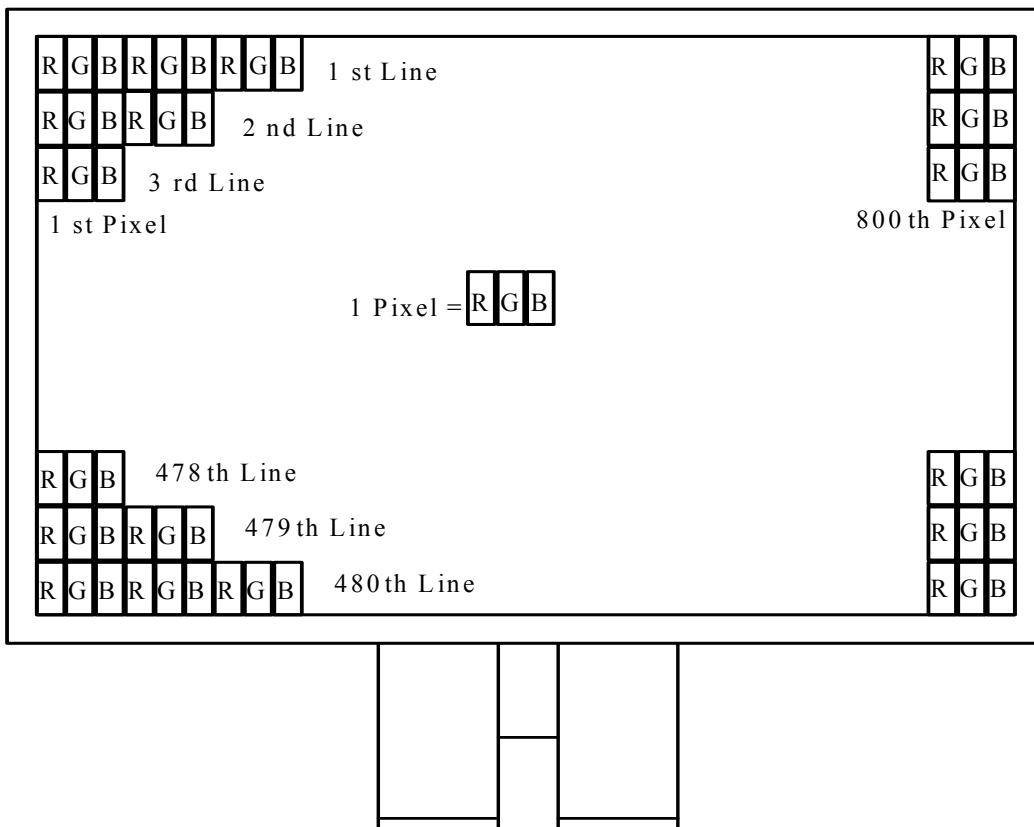
7-3) Power Consumption

Parameter	Symbol	Condition	Typ.	Max.	Unit	Remark
Supply Current for Gate Driver (Hi level)	$I_{GG}$	$V_{GG} = +17V$	0.15	0.45	mA	
Supply Current for Gate Driver (Low level)	$I_{EE}$	$V_{EE} = -8V$	0.17	0.51	mA	
Supply Current for Source Driver (Digital)	$I_{DD1}$	$V_{DD1} = +3.3V$	2.58	5.16	mA	
Supply Current for Source Driver (Analog)	$I_{DD2}$	$V_{DD2} = +9.5V$	20.66	41.32	mA	
Supply Current for Gate Driver (Digital)	$I_{CC}$	$V_{CC} = +3.3V$	0.1	0.3	mA	
LCD Panel Power Consumption		-	209.02	422.29	mW	Note 7-4
Total Power Consumption	-	-	-	8.92	W	

Note 7-4: The power consumption for back light is not included.

8. Pixel Arrangement

The LCD module pixel arrangement is the stripe.

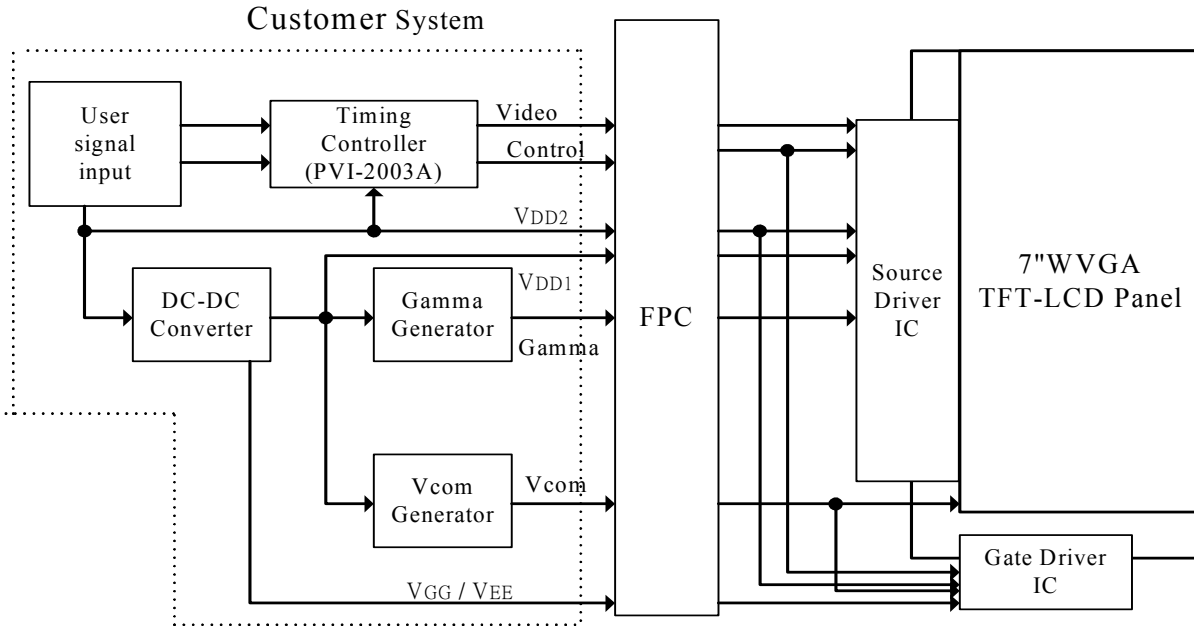


9. Display Color and Gray Scale Reference

Color		Input Color Data																	
		Red						Green						Blue					
		R5	R4	R3	R2	R1	R0	G5	G4	G3	G2	G1	G0	B5	B4	B3	B2	B1	B0
Basic Colors	Black	0	0	0	0	0	0	0	0	0	0	0	0	0	0	0	0	0	0
	Red (63)	1	1	1	1	1	1	0	0	0	0	0	0	0	0	0	0	0	0
	Green (63)	0	0	0	0	0	0	1	1	1	1	1	1	0	0	0	0	0	0
	Blue (63)	0	0	0	0	0	0	0	0	0	0	0	0	1	1	1	1	1	1
	Cyan	0	0	0	0	0	0	1	1	1	1	1	1	1	1	1	1	1	1
	Magenta	1	1	1	1	1	1	0	0	0	0	0	0	1	1	1	1	1	1
	Yellow	1	1	1	1	1	1	1	1	1	1	1	1	0	0	0	0	0	0
	White	1	1	1	1	1	1	1	1	1	1	1	1	1	1	1	1	1	1
Red	Red (00)	0	0	0	0	0	0	0	0	0	0	0	0	0	0	0	0	0	0
	Red (01)	0	0	0	0	0	1	0	0	0	0	0	0	0	0	0	0	0	0
	Red (02)	0	0	0	0	1	0	0	0	0	0	0	0	0	0	0	0	0	0
	Darker																		
	↓	↓	↓	↓	↓	↓	↓	↓	↓	↓	↓	↓	↓	↓	↓	↓	↓	↓	↓
	Brighter																		
	Red (61)	1	1	1	1	0	1	0	0	0	0	0	0	0	0	0	0	0	0
	Red (62)	1	1	1	1	1	0	0	0	0	0	0	0	0	0	0	0	0	0
Red (63)	1	1	1	1	1	1	0	0	0	0	0	0	0	0	0	0	0	0	
Green	Green (00)	0	0	0	0	0	0	0	0	0	0	0	0	0	0	0	0	0	0
	Green (01)	0	0	0	0	0	0	0	0	0	0	0	1	0	0	0	0	0	0
	Green (02)	0	0	0	0	0	0	0	0	0	0	1	0	0	0	0	0	0	0
	Darker																		
	↓	↓	↓	↓	↓	↓	↓	↓	↓	↓	↓	↓	↓	↓	↓	↓	↓	↓	↓
	Brighter																		
	Green (61)	0	0	0	0	0	0	1	1	1	1	0	1	0	0	0	0	0	0
	Green (62)	0	0	0	0	0	0	1	1	1	1	1	0	0	0	0	0	0	0
Green (63)	0	0	0	0	0	0	1	1	1	1	1	1	0	0	0	0	0	0	
Blue	Blue (00)	0	0	0	0	0	0	0	0	0	0	0	0	0	0	0	0	0	0
	Blue (01)	0	0	0	0	0	0	0	0	0	0	0	0	0	0	0	0	0	1
	Blue (02)	0	0	0	0	0	0	0	0	0	0	0	0	0	0	0	0	1	0
	Darker																		
	↓	↓	↓	↓	↓	↓	↓	↓	↓	↓	↓	↓	↓	↓	↓	↓	↓	↓	↓
	Brighter																		
	Blue (61)	0	0	0	0	0	0	0	0	0	0	0	0	1	1	1	1	0	1
	Blue (62)	0	0	0	0	0	0	0	0	0	0	0	0	1	1	1	1	1	0
Blue (63)	0	0	0	0	0	0	0	0	0	0	0	0	1	1	1	1	1	1	

**10. Block Diagram**

**11-1) TFT-module Block Diagram**



If you use PM070WX9, you can apply PVI-2003A(Timing controller) which will generate timing signals to support PM070WX9



## 11. Interface Timing

### 11.1) Timing Parameters

AC Electrical Characteristics ( $V_{CC}=V_{DD1}=3.3V$ ,  $V_{DD2}=9.5V$ ,  $GND=V_{SS1}=V_{SS2}=0V$ ,  $T_a=25^{\circ}C$ )

Parameter	Symbol	Min.	Typ.	Max.	Unit
CLK Frequency	Fclk	-	32	40	MHz
CLK Pulse Width	Tcw	25	-	-	ns
Data Set-up Time	Tsu	4	-	-	ns
Data Hold Time	Thd	2	-	-	ns
Propagation Delay of DIO2/1	Tphl	6	10	15	ns
Time That The Last Data to LD	Tld	1	-	-	T <sub>CW</sub>
Pulse width of LD	Twld	2	-	-	T <sub>CW</sub>
Time That LD to DIO1/2	Tlds	5	-	-	T <sub>CW</sub>
POL Set-up Time	Tpsu	6	-	-	ns
POL Hold Time	Tphd	6	-	-	ns
OE Pulse Width	T <sub>OEV</sub>	1	-	-	μs
CKV Pulse Width	T <sub>CKV</sub>	500	-	-	ns
STV Set-up Time	T <sub>SUV</sub>	400	-	-	ns
STV Hold Time	T <sub>HDV</sub>	400	-	-	ns
Horizontal Display Period	T <sub>HDP</sub>	-	800	-	T <sub>CW</sub>
Horizontal Period Timing Range	T <sub>HP</sub>	-	1056	-	T <sub>CW</sub>
Horizontal Lines Per Field	T <sub>V</sub>	484	508	620	T <sub>HP</sub>
Vertical Display Timing Range	T <sub>DV</sub>	-	480	-	T <sub>HP</sub>

11.2 Timing Diagram

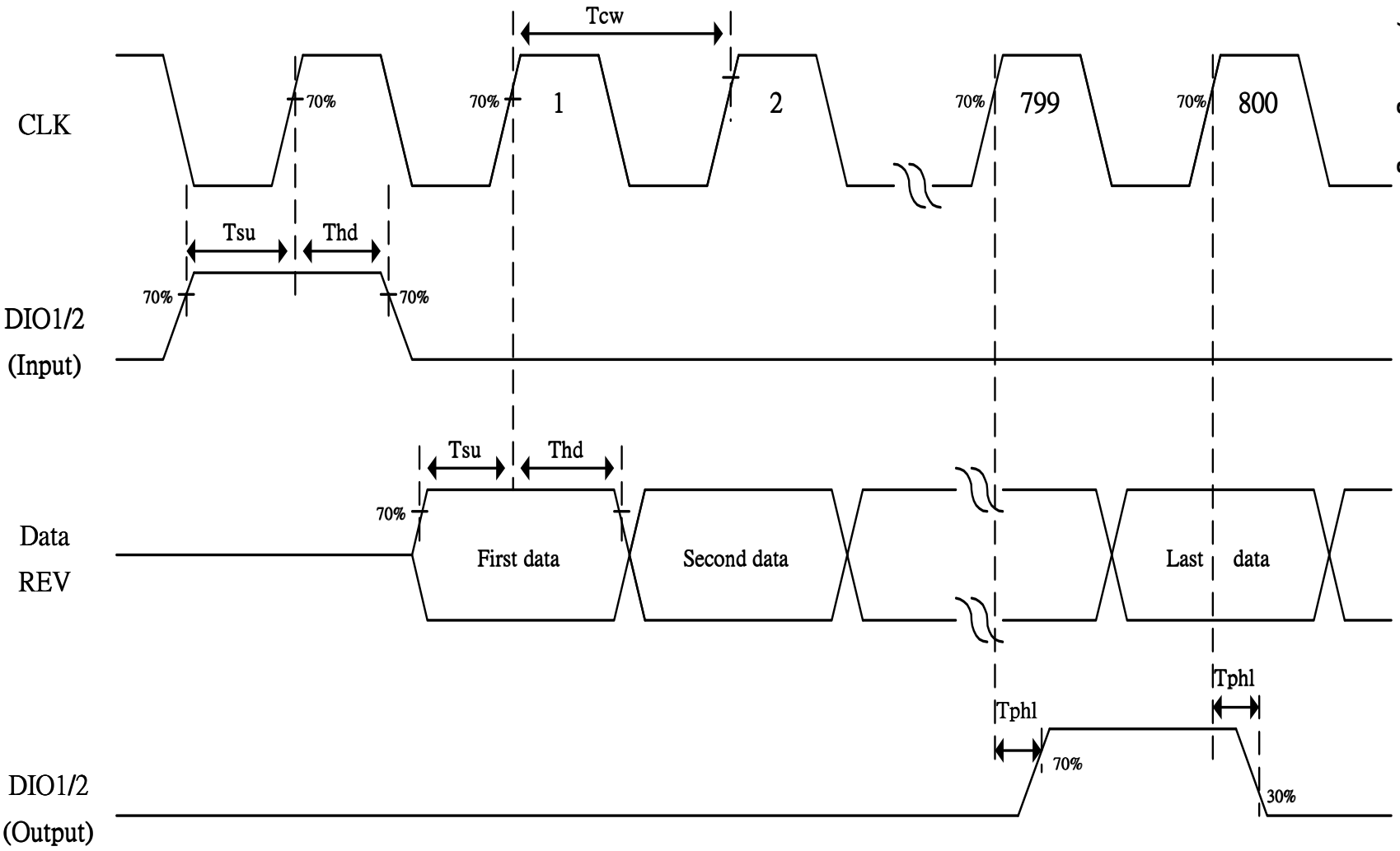


Fig. 11-1 Horizontal timing (1)

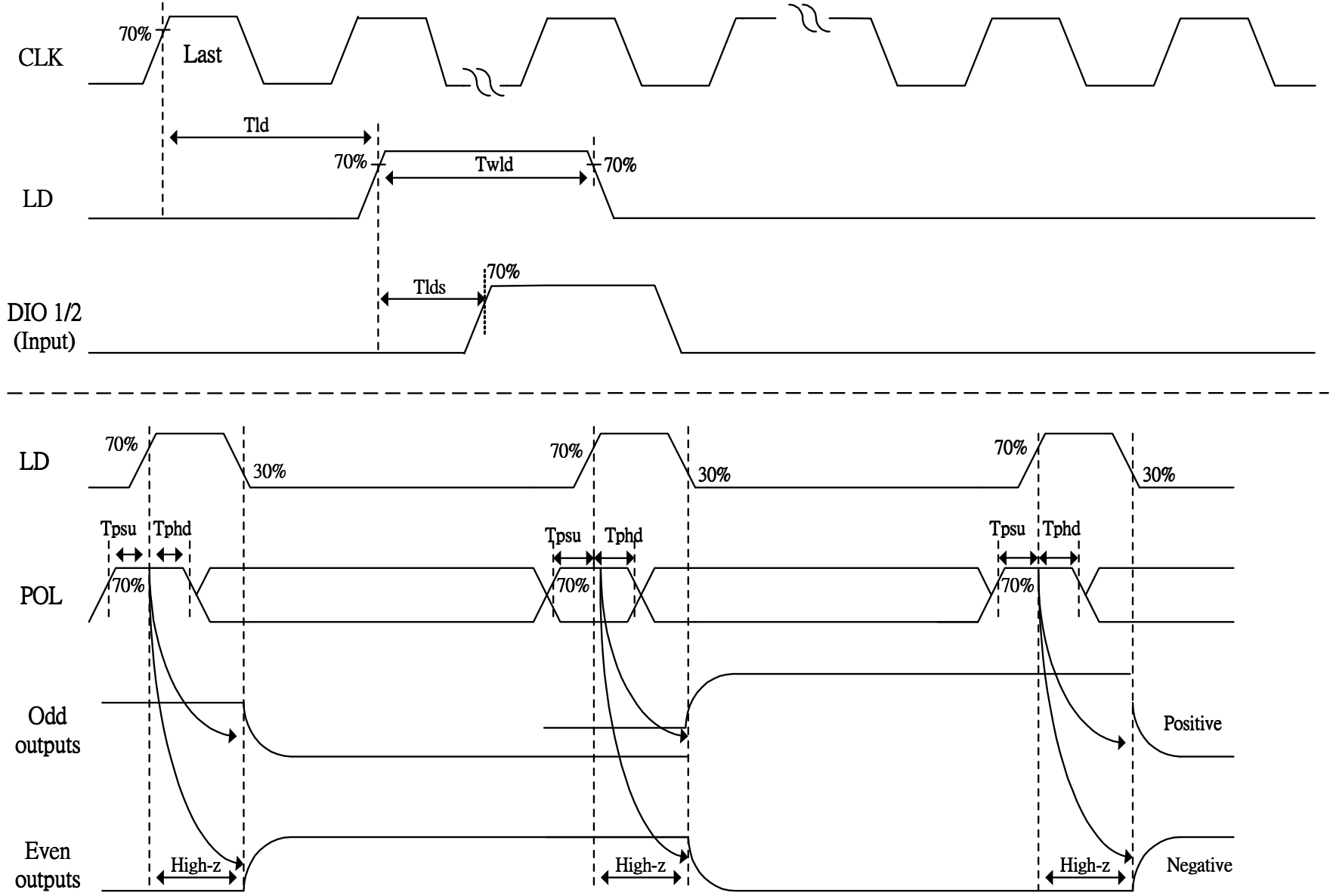


Fig. 11-2 Horizontal timing(2)

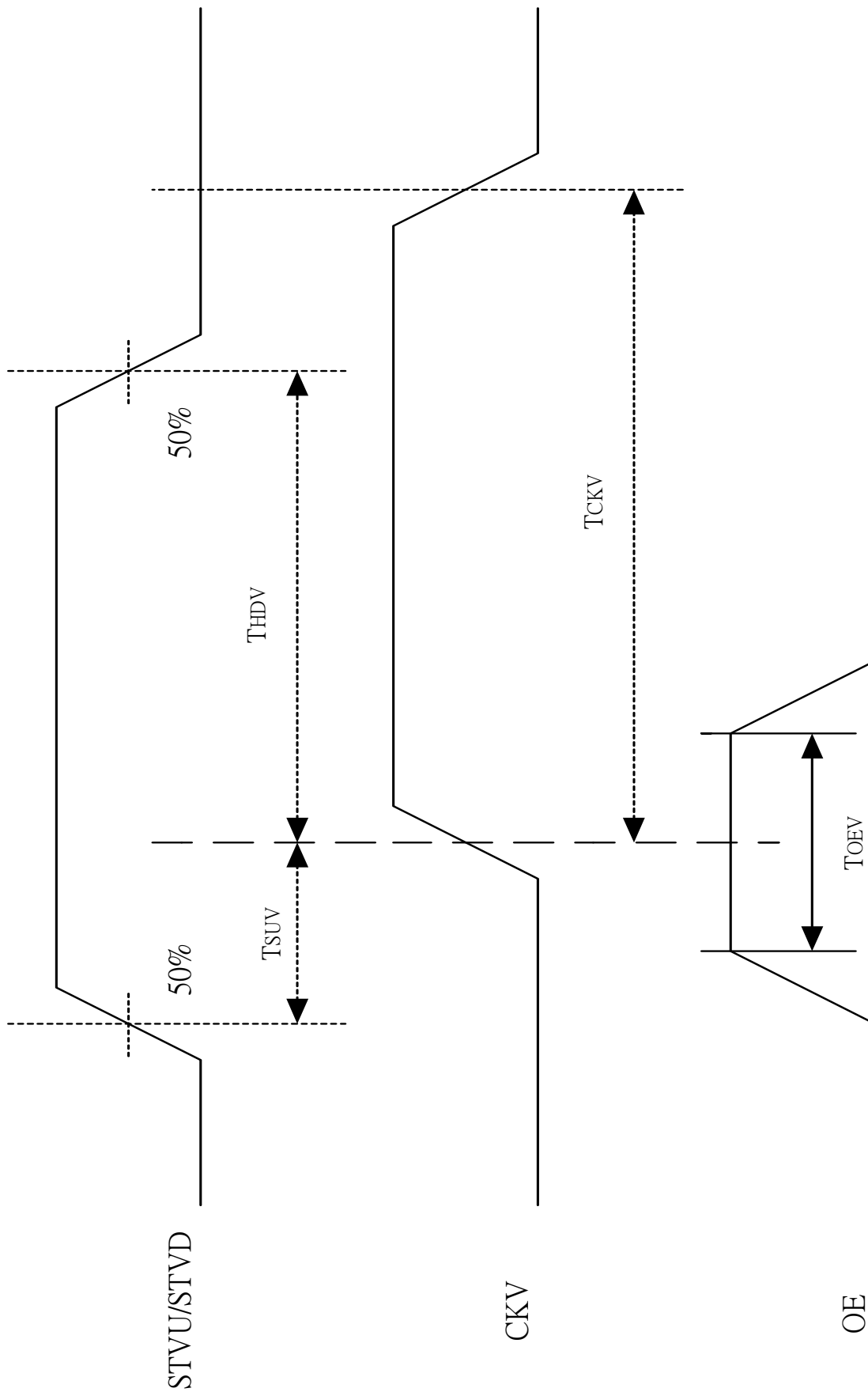


Fig. 11-3 Vertical shift clock timing

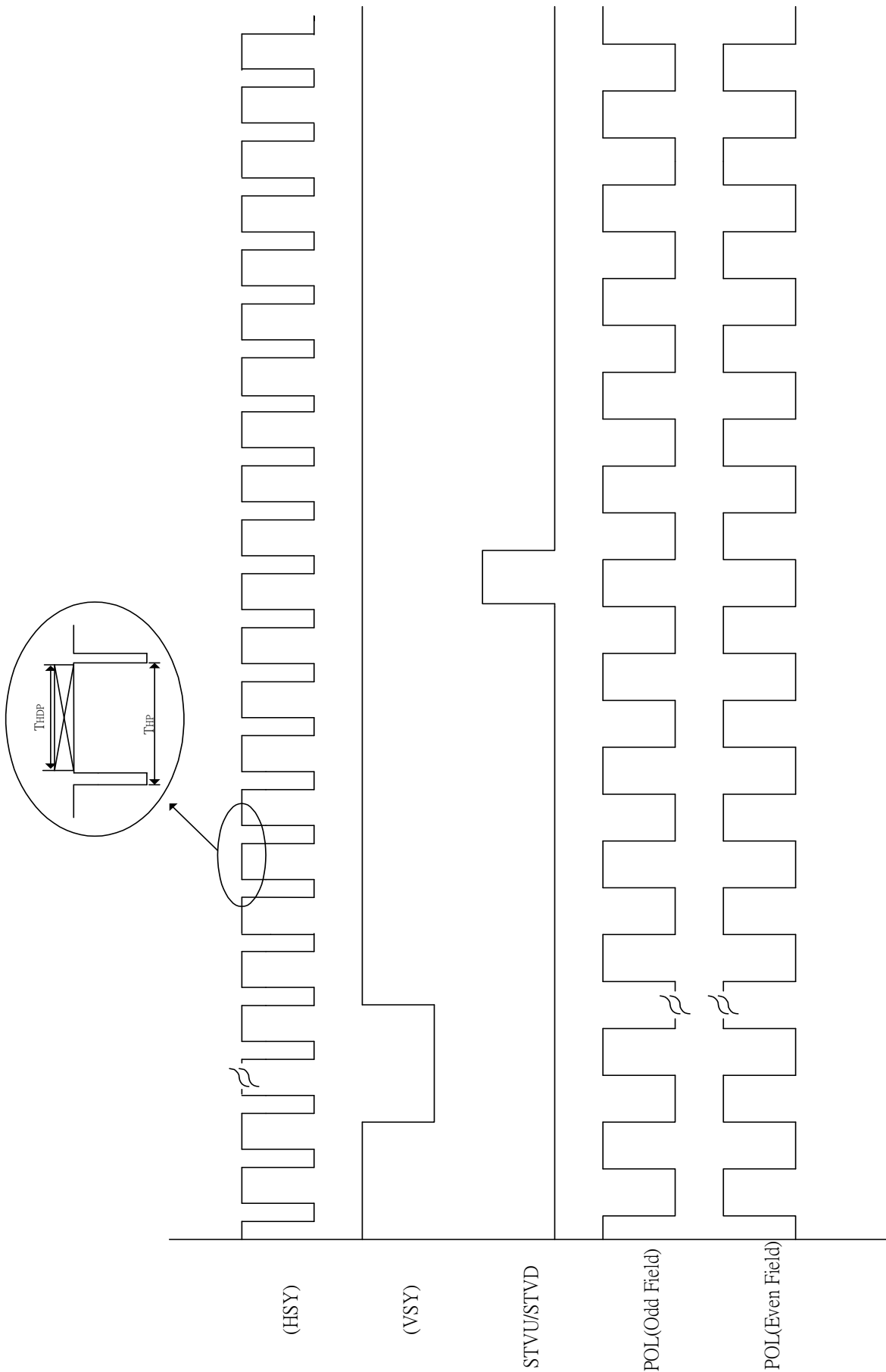
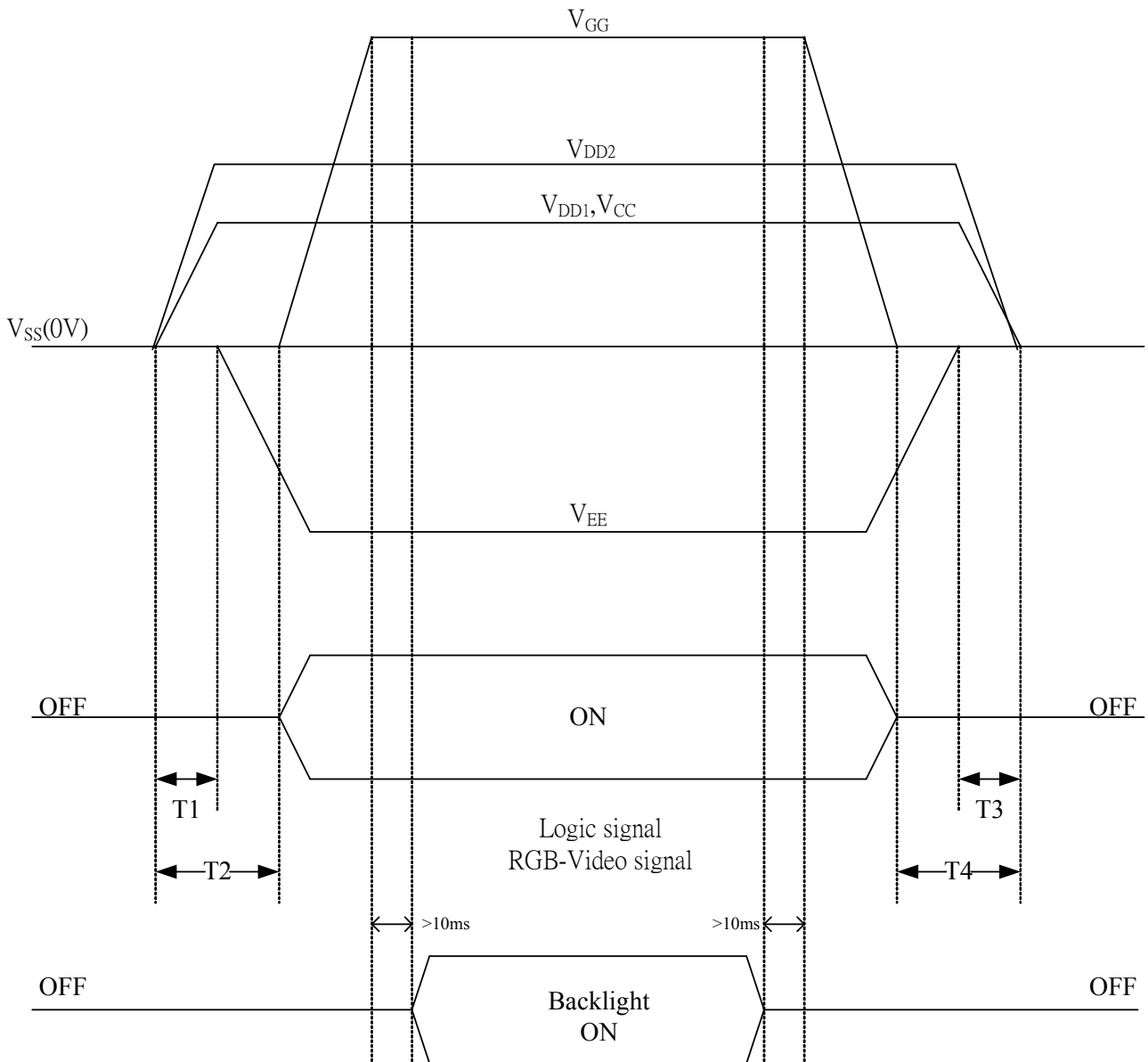


Fig. 11-4 Vertical timing

**12. Power On Sequence**



1.  $10\text{ms} \leq T_1 < T_2$

2.  $0\text{ms} < T_3 \leq T_4 \leq 10\text{ms}$

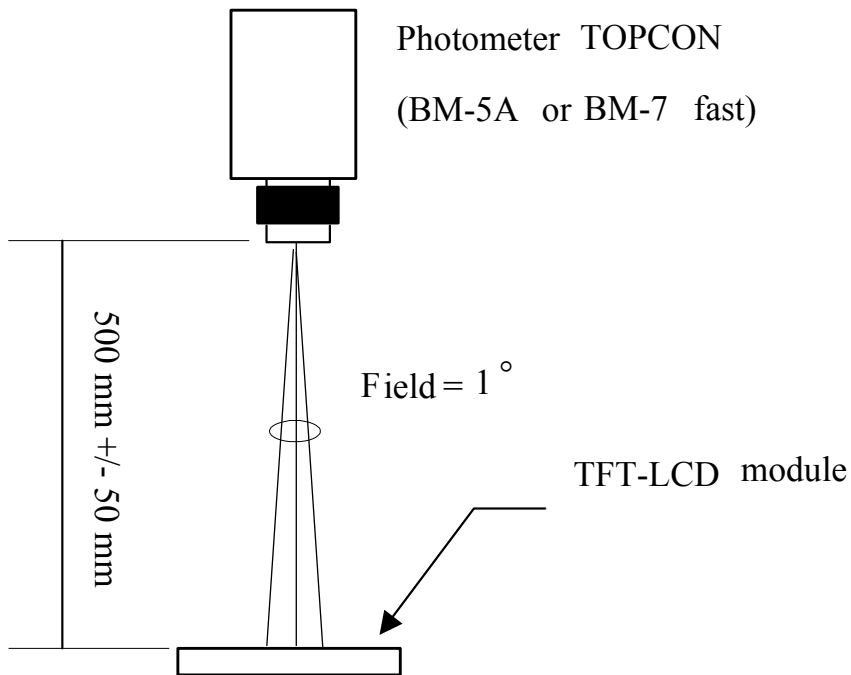
**13. Optical Characteristics**

**13-1) Specification:**

Ta=25°C

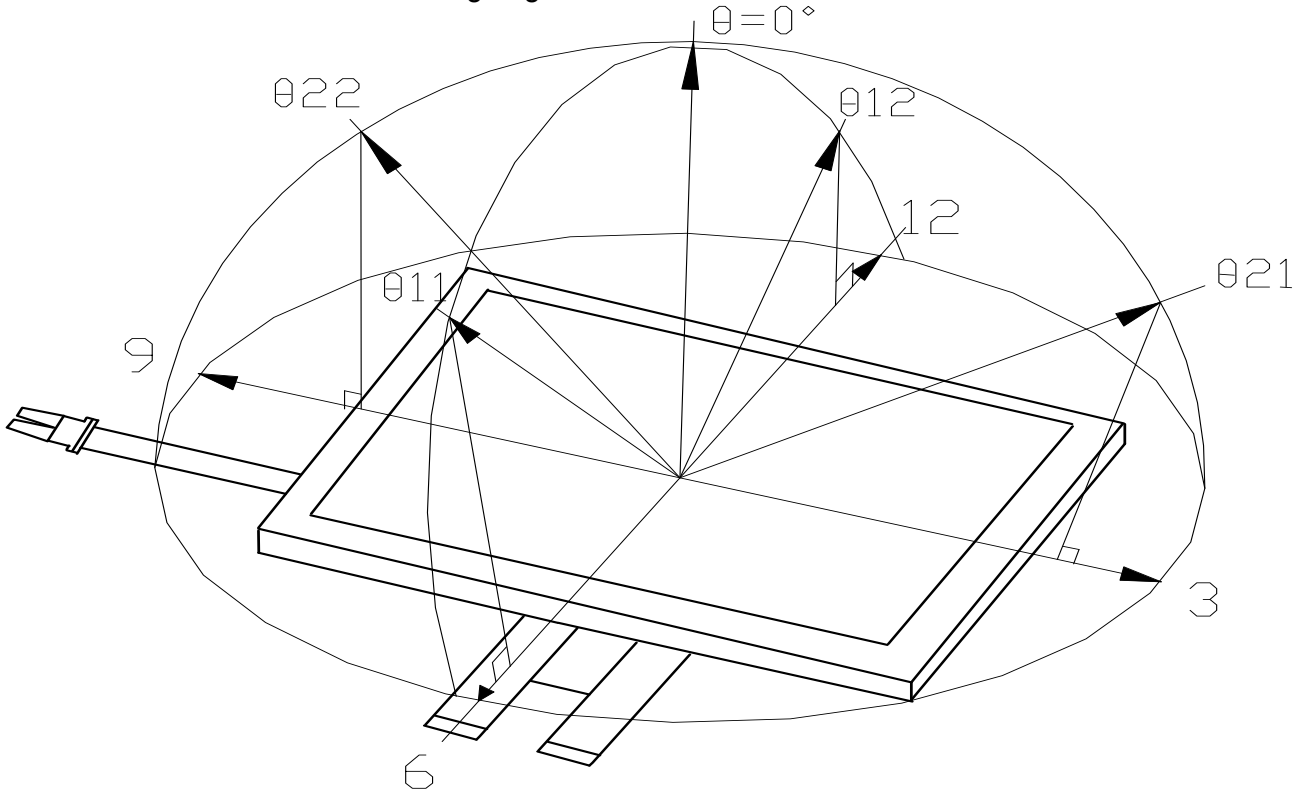
Parameter	Symbol	Condition	MIN.	TYP.	MAX.	Unit	Remarks
Viewing Angle	Horizontal	$\theta$ 21,22	$\pm 70$	$\pm 75$	-	deg	Note 13-1
	Vertical	$\theta$ 11 (6 o'clock)	65	70	-	deg	
		$\theta$ 12 (12 o'clock)	45	50	-	deg	
Contrast Ratio	CR	$\theta = 0^\circ$	500	600	-	-	Note 13-2
Response time	Rise	Tr	-	15	30	ms	Note 13-3
	Fall	Tf	-	25	50	ms	
Brightness	L	$\theta = 0^\circ / \varphi = 0$	800	950	-	cd/m <sup>2</sup>	Note 13-4
Luminance Uniformity	U		75	80	-	%	Note 13-5
Cross Talk	-	$\theta = 0^\circ$	-	-	3.5	%	Note 13-6
White Chromaticity	x	$\theta = 0^\circ / \varphi = 0$	0.23	0.28	0.33	-	
	y		0.26	0.31	0.36	-	
LED Life Time	-	-	-	50000	-	hrs	Note 13-7

All the optical measurement shall be executed 30 minutes after backlight being turn-on. The optical characteristics shall be measured in dark room (ambient illumination on panel surface less than 1 Lux). The measuring configuration shows as following figure.



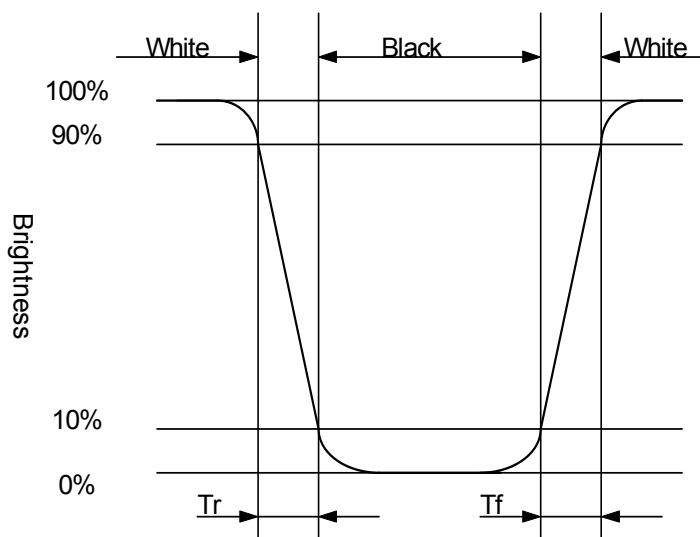
Optical characteristics measuring configuration

Note 13-1: The definitions of viewing angles are as follow.



Note 13-2: The definition of contrast ratio  $CR = \frac{\text{Luminance when Testing point is White}}{\text{Luminance when Testing point is Black}}$

Note 13-3: Definition of Response Time  $T_r$  and  $T_f$ :



Note 13-4 : Topcon BM-5A or BM-7 fast luminance meter 1° field of view is used in the testing.



Note 13-5: The uniformity of LCD is defined as

$$U = \frac{\text{The Minimum Brightness of the 9 testing Points}}{\text{The Maximum Brightness of the 9 testing Points}}$$

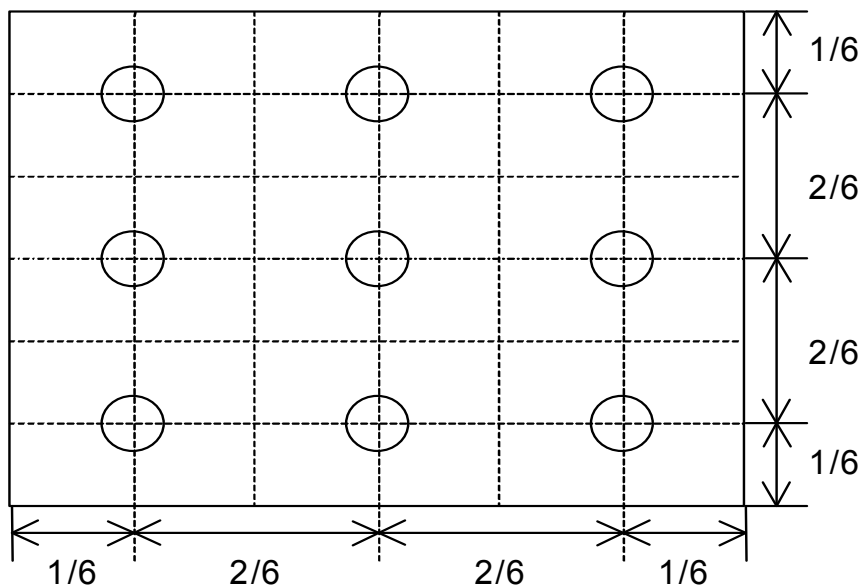
Luminance meter : BM-5A or BM-7 fast(TOPCON)

Measurement distance : 500 mm +/- 50 mm

Ambient illumination : < 1 Lux

Measuring direction : Perpendicular to the surface of module

The test pattern is white.



Note 13-6: Cross Talk (CTK) =  $\frac{|YA-YB|}{YA} \times 100\%$

YA: Brightness of Pattern A

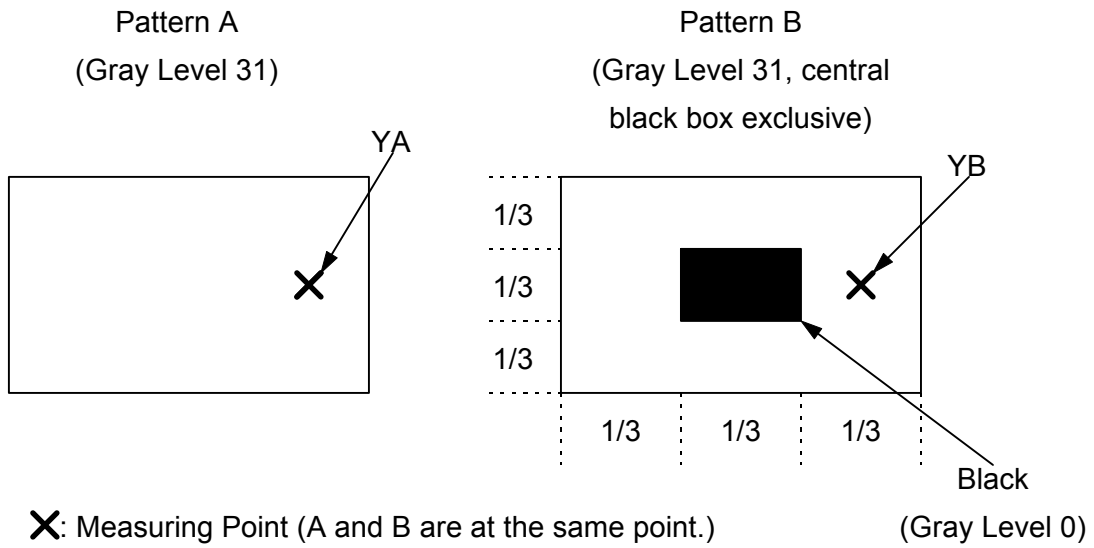
YB: Brightness of Pattern B

Luminance meter : BM 5A or BM-7 fast (TOPCON)

Measurement distance : 500 mm +/- 50 mm

Ambient illumination : < 1 Lux

Measuring direction : Perpendicular to the surface of module



Note 13-7: The “LED Life time “ is defined as the module brightness decrease to 50% original Brightness that the ambient temperature is 25°C and  $I_{LED} = 720\text{mA}$ .

## 14. Handling Cautions

### 14-1) Mounting of module

- a) Please power off the module when you connect the input/output connector.
- b) Polarizer which is made of soft material and susceptible to flaw must be handled carefully.
- c) Protective film (Laminator) is applied on surface to protect it against scratches and dirt.
- d) Please following the tear off direction as figure 14-1 to remove the protective film as slowly as possible, so that electrostatic charge can be minimized.

### 14-2) Precautions in mounting

- a) When metal part of the TFT-LCD module (shielding lid and rear case) is soiled, wipe it with soft dry cloth.
- b) Wipe off water drops or finger grease immediately. Long contact with water may cause discoloration or spots.
- c) TFT-LCD module uses glass which breaks or cracks easily if dropped or bumped on hard surface. Please handle with care.
- d) Since CMOS LSI is used in the module. So take care of static electricity and earth yourself when handling.

### 14-3) Adjusting module

- a) Adjusting volumes on the rear face of the module have been set optimally before shipment.
- b) Therefore, do not change any adjusted values. If adjusted values are changed, the specifications described may not be satisfied.

### 14-4) Polarizer mark

The polarizer mark is to describe the direction of wide view angle film how to match up with the rubbing direction.

### 14-5) Others

- a) Do not expose the module to direct sunlight or intensive ultraviolet rays for many hours.
- b) Store the module at a room temperature place.
- c) The voltage of beginning electric discharge may over the normal voltage because of leakage current from approach conductor by to draw lump read lead line around.
- d) If LCD panel breaks, it is possibly that the liquid crystal escapes from the panel. Avoid putting it into eyes or mouth. When liquid crystal sticks on hands, clothes or feet. Wash it out immediately with soap.
- e) Observe all other precautionary requirements in handling general electronic components.
- f) Please adjust the voltage of common electrode as material of attachment by 1 module.

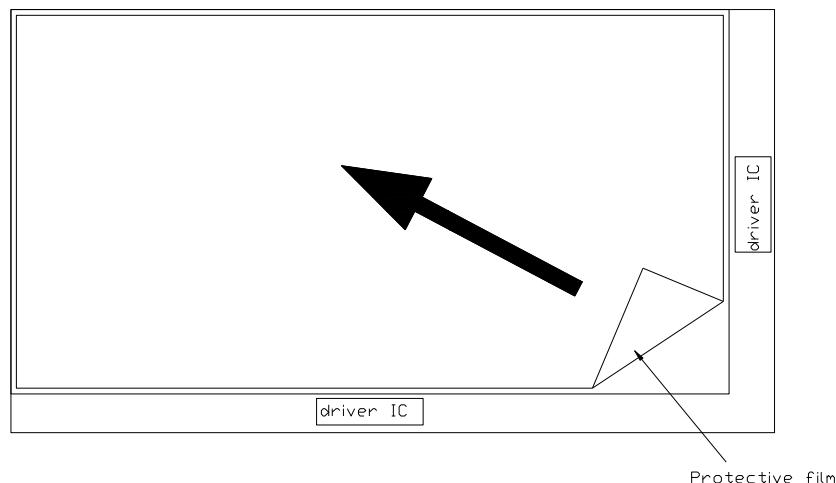


Figure 14-1 the way to peel off protective film

**15. Reliability Test**

No	Test Item	Test Condition	Remark
1	High Temperature Storage Test	Ta = +85°C, 240 hrs	
2	Low Temperature Storage Test	Ta = -40°C, 240 hrs	
3	High Temperature Operation Test	Ta = +70°C, 240 hrs	Note15-1
4	Low Temperature Operation Test	Ta = -30°C, 240 hrs	
5	High Temperature & High Humidity Operation Test	Ta = +60°C, 90%RH, 240 hrs (No Condensation)	
6	Thermal Cycling Test (non-operating)	-30°C → +80°C, 200 Cycles 30min 30min	
7	Vibration Test (non-operating)	Frequency : 10 ~ 55 Hz, Amplitude : 1 mm Sweep time: 11 min Test Period: 6 Cycles for each direction of X, Y, Z	
8	Shock Test (non-operating)	100G, 6ms Direction: ±X, ±Y, ±Z Cycle: 3 times	
9	Electrostatic Discharge Test (non-operating)	200pF, 0Ω ±200V 1 time / each terminal	

Ta: ambient temperature

Note: The protective film must be removed before temperature test.

Note15-1 : The brightness is over 600nits with I<sub>LED</sub>=100mA/LED(constant current, don't exceed) for each LED serial while the test condition of HTOT is 85°C.

[Criteria]

In the standard conditions, there is not display function NG issue occurred. (including : line defect ,no image), All the cosmetic specification is judged before the reliability stress.

16. Packing Diagram

ZONE	REV.	DOCUMENT NO.	DESCRIPTION	DATE	REV. BY																									
<p><b>NOTE:</b></p> <p>1.Q'TY: 40 pcs panel/carton.                  2.Dimension: 530*295*230mm                  3.Weight: 10.6 Kg</p>																														
		<table border="1" style="width:100%; border-collapse: collapse;"> <thead> <tr> <th>ITEM</th> <th>PART NO.</th> <th>DESCRIPTION</th> <th>QTY</th> <th>REMARK</th> </tr> </thead> <tbody> <tr> <td>4</td> <td>50-0100111</td> <td>CARTON</td> <td>1</td> <td></td> </tr> <tr> <td>3</td> <td>50-0500181</td> <td>PINK Bag 115*230mm</td> <td>40</td> <td>抗靜電</td> </tr> <tr> <td>2</td> <td></td> <td>PM070WX9</td> <td>40</td> <td></td> </tr> <tr> <td>1</td> <td>50-0300861</td> <td>瓦楞隔板緩衝材</td> <td>1</td> <td>上蓋+底座</td> </tr> </tbody> </table>		ITEM	PART NO.	DESCRIPTION	QTY	REMARK	4	50-0100111	CARTON	1		3	50-0500181	PINK Bag 115*230mm	40	抗靜電	2		PM070WX9	40		1	50-0300861	瓦楞隔板緩衝材	1	上蓋+底座		
ITEM	PART NO.	DESCRIPTION	QTY	REMARK																										
4	50-0100111	CARTON	1																											
3	50-0500181	PINK Bag 115*230mm	40	抗靜電																										
2		PM070WX9	40																											
1	50-0300861	瓦楞隔板緩衝材	1	上蓋+底座																										
MTL.SPEC.		UNSPECIFIED TOL'S		REMARK																										
		ANGLE																												
		ROUGHNESS																												
APPROVE	Frank Shin	07.07.02	SCALE	UNIT	SHEET 1 OF 1																									
CHECK	Frank Shin	07.07.02	DWG.TITLE PM070WX9 Packing																											
DRAWN	Stevenc	07.07.02																												
MTL.NO.			DWG. FILE:		REV. 01																									
					A4 SIZE																									