

TFT-Display Datenblatt

Modell LM240WU9-SLA1

Kurzdaten

| | |
|-------------|-----------------------------|
| Hersteller | LG Display |
| Diagonale | 24" / 61,0 cm |
| Format | wide |
| Auflösung | 1920 x 1200 |
| Backlight | LED / 350 cd/m ² |
| Interface | LVDS |
| Touchscreen | nein |
| Temperatur | 0...+50 °C (Betrieb) |

Product Specification

SPECIFICATION FOR APPROVAL

- (●) Preliminary Specification
() Final Specification

| | |
|-------|---------------------|
| Title | 24.0" WUXGA TFT LCD |
|-------|---------------------|

| | |
|-------|-------|
| BUYER | DELL |
| MODEL | U2413 |

| | |
|----------|----------------------|
| SUPPLIER | LG Display Co., Ltd. |
| *MODEL | LM240WU9 |
| SUFFIX | SLA1 |

*When you obtain standard approval,
please use the above model name without suffix

| APPROVED BY | SIGNATURE DATE |
|-------------|----------------|
| / | _____ |
| / | _____ |
| / | _____ |

Please return 1 copy for your confirmation with your signature and comments.

| APPROVED BY | SIGNATURE DATE |
|---------------------------|----------------|
| B. C. Kim / G. Manager | _____ |
| REVIEWED BY | |
| S. H. Kim / Manager [C] | _____ |
| Y. H. Hwang / Manager [M] | _____ |
| M. S. Kang / Manager [P] | _____ |
| S. H. Han / Manager [O] | _____ |
| REPARED BY | |
| J. H. Oh / Engineer | _____ |

IT Development Division 1
LG Display Co., Ltd

Product Specification
Contents

| No | ITEM | Page |
|-----|------------------------------|------|
| | COVER | 1 |
| | CONTENTS | 2 |
| | RECORD OF REVISIONS | 3 |
| 1 | GENERAL DESCRIPTION | 4 |
| 2 | ABSOLUTE MAXIMUM RATINGS | 5 |
| 3 | ELECTRICAL SPECIFICATIONS | 6 |
| 3-1 | ELECTRICAL CHARACTERISTICS | 6 |
| 3-2 | INTERFACE CONNECTIONS | 8 |
| 3-3 | SIGNAL TIMING SPECIFICATIONS | 13 |
| 3-4 | SIGNAL TIMING WAVEFORMS | 14 |
| 3-5 | COLOR INPUT DATA REFERENCE | 15 |
| 3-6 | POWER SEQUENCE | 16 |
| 3-7 | POWER SEQUENCE FOR INVERTER | 17 |
| 4 | OPTICAL SPECIFICATIONS | 18 |
| 5 | MECHANICAL CHARACTERISTICS | 24 |
| 6 | RELIABILITY | 27 |
| 7 | INTERNATIONAL STANDARDS | 28 |
| 7-1 | SAFETY | 28 |
| 7-2 | EMC | 28 |
| 7-3 | ENVIRONMENT | 28 |
| 8 | PACKING | 29 |
| 8-1 | DESIGNATION OF LOT MARK | 29 |
| 8-2 | PACKING FORM | 30 |
| 8-3 | PALLET FORM | 31 |
| 9 | PRECAUTIONS | 32 |

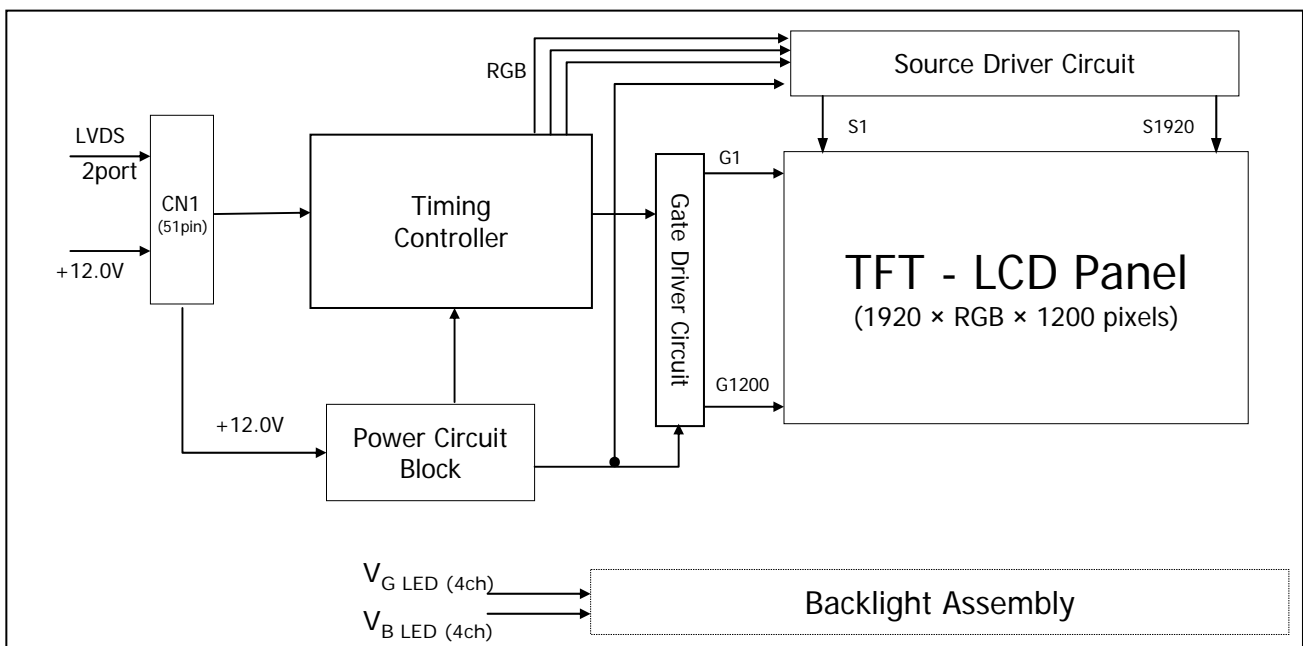
Product Specification**RECORD OF REVISIONS**

| Revision No | Revision Date | Page | Description |
|-------------|---------------|-------|--|
| 0.0 | Jan. 12. 2012 | - | First Draft(Preliminary) |
| 0.1 | Feb. 10. 2012 | 4,25 | Update Weight |
| | | 26,27 | Update Front & Rear Drawing |
| | | 30 | Update Packing Form |
| 0.2 | Apr. 2. 2012 | 4 | Update General Description Drawing |
| | | 6 | Update Electrical Characteristics |
| | | 13 | Update Backlight Connector Pin drawing |
| | | 19 | Update Contrast ratio |
| | | 26 | Update Front Drawing |
| 0.3 | May.09. 2012 | 31 | Update Operating precautions |
| | | 8 | Update Blue current ratio , LED Driver design guide & Note |
| | | 13 | Update Backlight Interface |
| | | 19 | Update Optical Specification |
| 0.4 | Jun. 22. 2012 | 27 | Update Rear Drawing |
| | | 8 | Update LED Driver design guide |
| | | 27 | Update Rear Drawing |
| 0.5 | xxxx.xx.xxxx | 28 | Update Altitude operating spec |
| | | 29 | Update safety international standards |
| | | | |
| | | | |
| | | | |
| | | | |
| | | | |
| | | | |
| | | | |
| | | | |
| | | | |
| | | | |
| | | | |
| | | | |
| | | | |

Product Specification

1. General Description

LM240WU9 is a Color Active Matrix Liquid Crystal Display with Light Emitting Diode (GB LED) backlight system without LED Driver. The matrix employs a-Si Thin Film Transistor as the active element. It is a transmissive type display operating in the normally black mode. It has a 24inch diagonally measured active display area with WUXGA resolution (1200 vertical by 1920 horizontal pixel array) Each pixel is divided into Red, Green and Blue sub-pixels or dots which are arranged in vertical stripes. Gray scale or the brightness of the sub-pixel color is determined with a 10-bit gray scale signal for each dot, thus, presenting a palette of more than 1.07B colors with Advanced-FRC (Frame Rate Control). It has been designed to apply the 10Bit 2 port LVDS interface. It is intended to support displays where high brightness, super wide viewing angle, high color saturation, and high color are important.



General Features

| | |
|------------------------|---|
| Active Screen Size | 24.1 inches (61.13 cm) diagonal |
| Outline Dimension | 546.4(H) x 352.0(V) x 15.5(D) mm (Typ.) |
| Pixel Pitch | 0.270 mm x 0.270 mm |
| Pixel Format | 1920 horiz. By 1200 vert. Pixels RGB stripes arrangement |
| Color Depth | 8-bit + A-FRC, 1,073,741,824 colors |
| Luminance, White | 350 cd/m ² (Center 1 points) |
| Viewing Angle(CR>10) | View Angle Free (R/L 178(Typ.), U/D 178(Typ.)) |
| Power Consumption | Total 36.96 Watt (Typ.) (6.36 Watt @V _{LCD} , 30.6 Watt @V _{DDB}) |
| Weight | 2450 g (typ.) |
| Display Operating Mode | Transmissive mode, normally black |
| Surface Treatment | Hard coating(3H), Anti-glare treatment of the front polarizer |

Product Specification

2. Absolute Maximum Ratings

The following are maximum values which, if exceeded, may cause faulty operation or damage to the unit.

Table 1. ABSOLUTE MAXIMUM RATINGS

| Parameter | Symbol | Values | | Units | Notes |
|----------------------------|----------------------|--------|-----|-------|-------------|
| | | Min | Max | | |
| Power Input Voltage | V _{LCD} | 8 | 14 | Vdc | at 25 ± 2°C |
| Operating Temperature | T _{OP} | 0 | 50 | °C | 1, 2, 3 |
| Storage Temperature | T _{ST} | -20 | 60 | °C | |
| Operating Ambient Humidity | H _{OP} | 10 | 90 | %RH | |
| Storage Humidity | H _{ST} | 10 | 90 | %RH | |
| LCM Surface Temperature | T _{Surface} | 0 | 65 | °C | 1, 4 |

Note : 1. Temperature and relative humidity range are shown in the figure below.

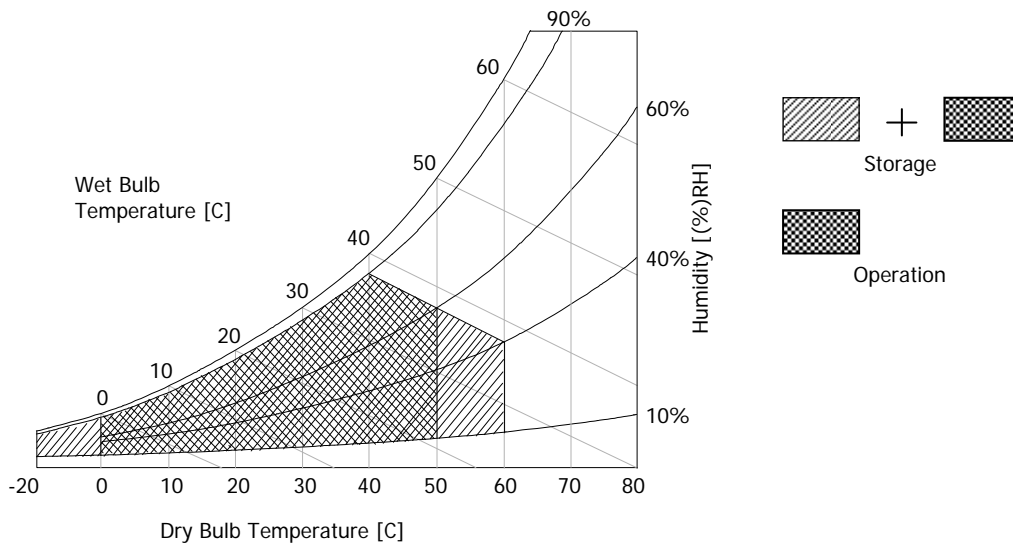
Wet bulb temperature should be 39 °C Max, and no condensation of water.

Note : 2. Maximum Storage Humidity is up to 40°C, 70% RH only for 4 corner light leakage Mura.

Note : 3. Storage condition is guaranteed under packing condition.

Note : 4. LCM surface temperature should be Min 0°C and Max 65°C under the V_{LCD}=12.0V.

f_V=60Hz, 25°C ambient temperature no humidity control and LED string current is typical value.



Product Specification

3. Electrical Specifications

3-1. Electrical Characteristics

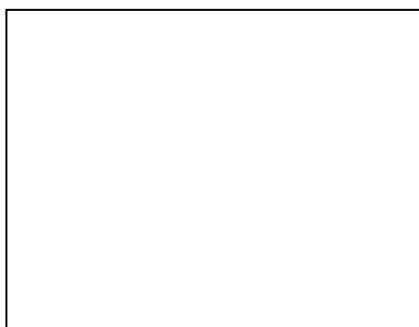
It requires two power inputs. One is employed to power the LCD electronics and to drive the TFT array and liquid crystal. The second input power for the LED/Backlight, is typically generated by LED Driver. The LED Driver is an external unit to the LCDs.

Table 2-1. ELECTRICAL CHARACTERISTICS

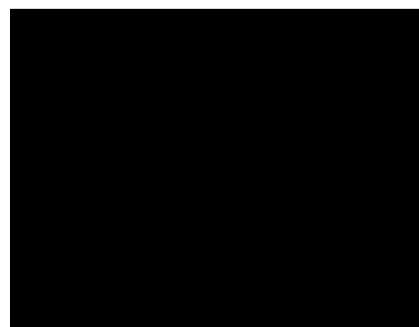
| Parameter | Symbol | Values | | | Unit | Notes |
|-------------------------------|-------------------|--------|--------|--------|-------------------|-------|
| | | Min | Typ | Max | | |
| MODULE : | | | | | | |
| Power Supply Input Voltage | V _{LCD} | 11.4 | 12.0 | 12.6 | Vdc | |
| Permissive Power Input Ripple | V _{RF} | | | (400) | mV _{p-p} | 1 |
| Power Supply Input Current | I _{LCD} | - | (531) | (610) | mA | 2 |
| | | - | (714) | (822) | mA | 3 |
| Power Consumption | PLCD TYP | - | (6.36) | (7.32) | Watt | 2 |
| | PLCD MAX | - | (8.57) | (9.85) | Watt | 3 |
| Rush current | I _{RUSH} | - | - | 3.0 | A | 4 |

Note :

1. Permissive power ripple should be measured under V_{LCD}=12.0V, 25 ± 2°C, f_V=60Hz condition and At that time, we recommend the bandwidth configuration of oscilloscope is to be under 20Mhz.
2. The specified current and power consumption are under the V_{LCD}=12.0V, 25 ± 2°C, f_V=60Hz condition whereas mosaic pattern(8 x 6) is displayed and f_V is the frame frequency.
3. The current is specified at the maximum current pattern.
4. The duration of rush current is about 2ms and rising time of power Input is 1ms(min.).



White Pattern

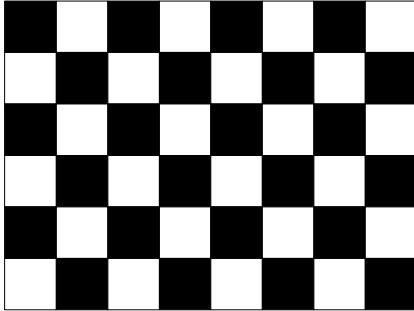


Black Pattern

< Permissive Power Input Ripple (V_{LCD}=12.0V, 25 ± 2°C, f_V=60Hz) >

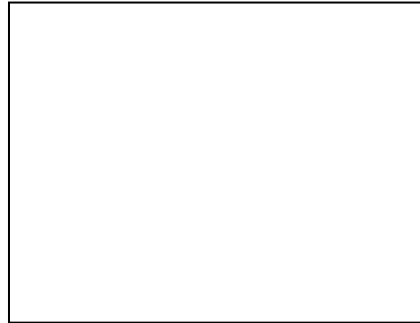
Product Specification

Typical current pattern
(White : 255Gray, Black : 0Gray)



Mosaic Pattern(8 x 6)

Maximum current pattern



White Pattern

< **Power consumption** ($V_{LCD}=12.0V$, $25 \pm 2^{\circ}C$, $f_V=60Hz$) >

Product Specification

Table 2-2. LED Bar ELECTRICAL CHARACTERISTICS

| Parameter | Symbol | Values | | | Unit | Notes |
|--------------------|---------------------------------|--------|--------|--------|------|---------|
| | | Min. | Typ. | Max. | | |
| LED String Current | I_Green | | 90 | 95 | mA | 1, 2, 7 |
| | I_Blue | | 55 | 58 | mA | |
| Blue current Ratio | I _B / I _G | 59.3 | 61.1 | 62.9 | % | 1,2,7,8 |
| LED String Voltage | Vs_Green | (49.3) | (52.7) | (56.1) | V | 1, 3, 7 |
| | Vs_Blue | (49.3) | (52.7) | (56.1) | V | |
| Power Consumption | P _{Bar} | | (30.6) | (32.5) | Watt | 1,4,6,7 |
| LED Life Time | LED_LT | 30,000 | | | Hrs | 5, 7 |

LED driver design guide

1) The design of the LED driver must have specifications for the LED in LCD Assembly.

The performance of the LED in LCM, for example life time or brightness, is extremely influenced by the characteristics of the LED driver.

So all the parameters of an LED driver should be carefully designed and output current should be Constant current control. Please control feedback current of each string individually to compensate the current variation among the strings of LEDs.

When you design or order the LED driver, please make sure unwanted lighting caused by the mismatch of the LED and the LED driver (no lighting, flicker, etc) never occurs.

When you confirm it, the LCD module should be operated in the same condition as installed in your instrument.

Note :

1. Specified values are for a single LED bar.
2. The specified current is defined as the input current for a single LED string with 100% duty cycle
3. The specified voltage is input LED string and Bar voltage at typical Current 100% duty current.
4. The specified power consumption is input LED bar power consumption at typical Current 100% duty current.
5. The life is determined as the time at which luminance of the LED is 50% compared to that of initial value at the typical LED current on condition of continuous operating at 25 ± 2°C.
6. The power consumption shown above does not include loss of external driver.
The used LED bar current is the LED typical current.
The typical power consumption is calculated as
 $P_{Bar} = V_s(Typ.) \times (I_{green}(Typ.) + I_{blue}(Typ.)) \times \text{No. of strings.}$
The maximum power consumption is calculated as
 $P_{Bar} = V_s(Max.) \times (I_{green}(Typ.) + I_{blue}(Typ.)) \times \text{No. of strings}$
7. LED operating DC Forward Current must not exceed LED Max Ratings at 25±2 °C
8. Blue current Ratio is calculated with $I_B(typ.) / I_G(typ.)$ after 30min. aging time at 25 ± 2 °C.
It means the Blue current portion comparing with Green current at 100% duty typical current.

Product Specification

3-2. Interface Connections

3-2-1. LCD Module

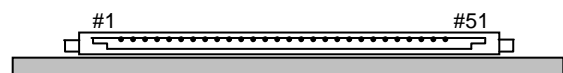
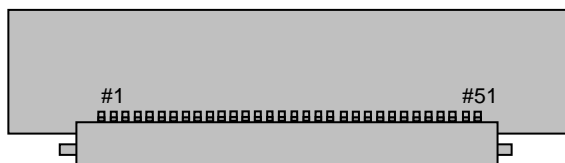
- LCD Connector(CN1). : FI-RE51S-HF (Manufactured by JAE) or equivalent
- Mating Connector: FI-RE51HL (Manufactured by JAE) or equivalent

Table 3 MODULE CONNECTOR(CN1) PIN CONFIGURATION

| No | Symbol | Description | No | Symbol | Description |
|----|---------|---|----|--------|-------------------------|
| 1 | GND | Ground | 27 | GND | Ground |
| 2 | NC | Reserved | 28 | RE0N | SECOND CHANNEL 0- |
| 3 | ODC ON | ODC ON/OFF Control (H:ODC OFF, L:ODC ON) | 29 | RE0P | SECOND CHANNEL 0+ |
| 4 | NC | (I2C DATA Interface) | 30 | RE1N | SECOND CHANNEL 1- |
| 5 | NC | (I2C CLK Interface) | 31 | RE1P | SECOND CHANNEL 1+ |
| 6 | NC | Reserved | 32 | RE2N | SECOND CHANNEL 2- |
| 7 | NC | Reserved | 33 | RE2P | SECOND CHANNEL 2+ |
| 8 | GND | Ground | 34 | GND | Ground |
| 9 | PWM_OUT | Reference signal for Inverter Control | 35 | RECLKN | SECOND CLOCK CHANNEL C- |
| 10 | GND | Ground | 36 | RECLKP | SECOND CLOCK CHANNEL C+ |
| 11 | GND | Ground | 37 | GND | Ground |
| 12 | RO0N | FIRST CHANNEL 0- | 38 | RE3N | SECOND CHANNEL 3- |
| 13 | RO0P | FIRST CHANNEL 0+ | 39 | RE3P | SECOND CHANNEL 3+ |
| 14 | RO1N | FIRST CHANNEL 1- | 40 | RE4N | SECOND CHANNEL 4- |
| 15 | RO1P | FIRST CHANNEL 1+ | 41 | RE4P | SECOND CHANNEL 4+ |
| 16 | RO2N | FIRST CHANNEL 2- | 42 | GND | Ground |
| 17 | RO2P | FIRST CHANNEL 2+ | 43 | GND | Ground |
| 18 | GND | Ground | 44 | GND | Ground |
| 19 | ROCLKN | FIRST CLOCK CHANNEL C- | 45 | GND | Ground |
| 20 | ROCLKP | FIRST CLOCK CHANNEL C+ | 46 | NC | NC |
| 21 | GND | Ground | 47 | NC | NC |
| 22 | RO3N | FIRST CHANNEL 3- | 48 | VLCD | Power Supply +12.0V |
| 23 | RO3P | FIRST CHANNEL 3+ | 49 | VLCD | Power Supply +12.0V |
| 24 | RO4N | FIRST CHANNEL 4- | 50 | VLCD | Power Supply +12.0V |
| 25 | RO4P | FIRST CHANNEL 4+ | 51 | VLCD | Power Supply +12.0V |
| 26 | GND | Ground | - | - | - |

- Note :
1. All GND(ground) pins should be connected together and should also be connected to the LCD's metal frame.
 2. All VLCD (power input) pins should be connected together.
 3. Input Level of LVDS signal is based on the EIA 664 Standard.

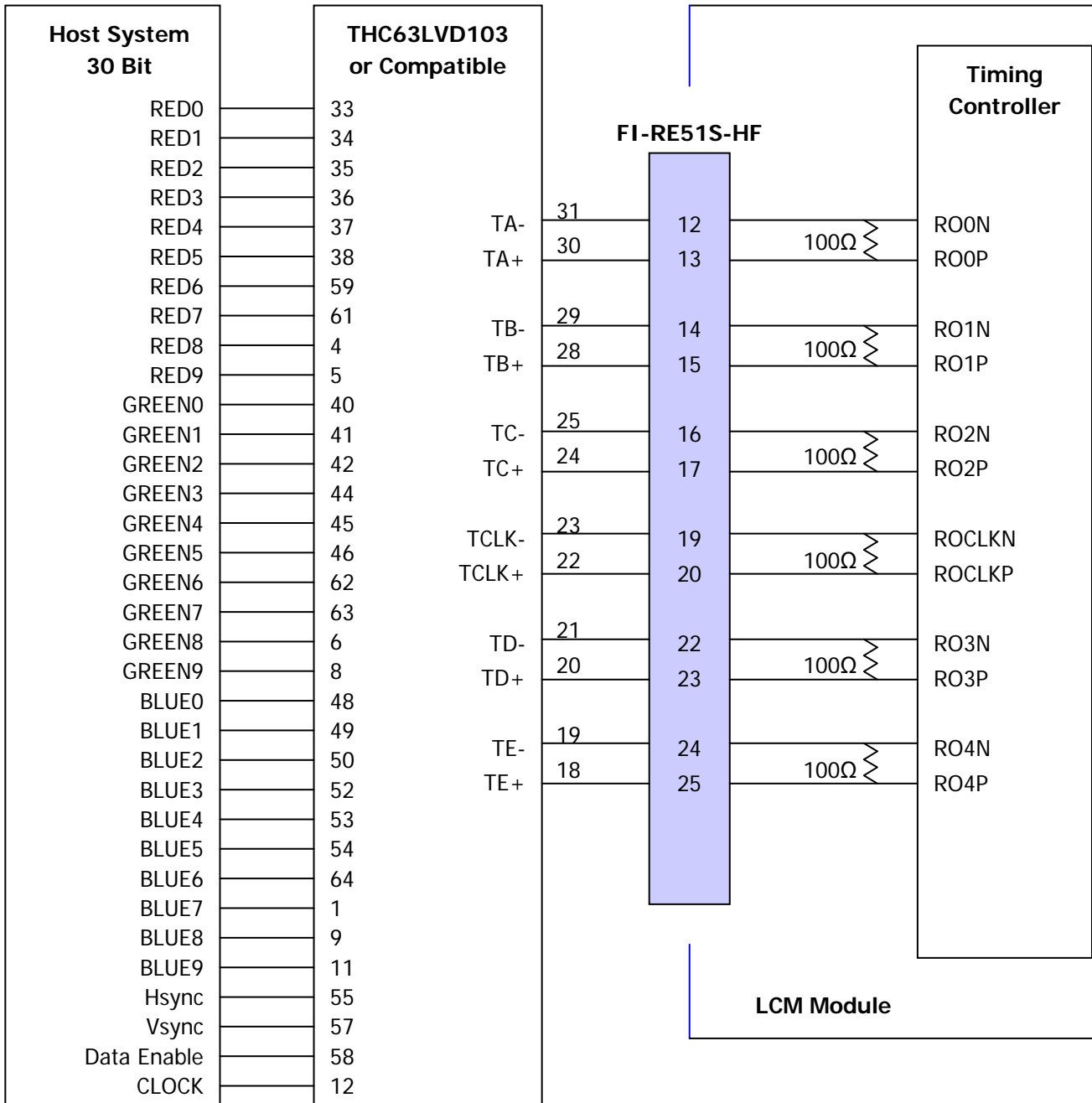
User Connector Diagram



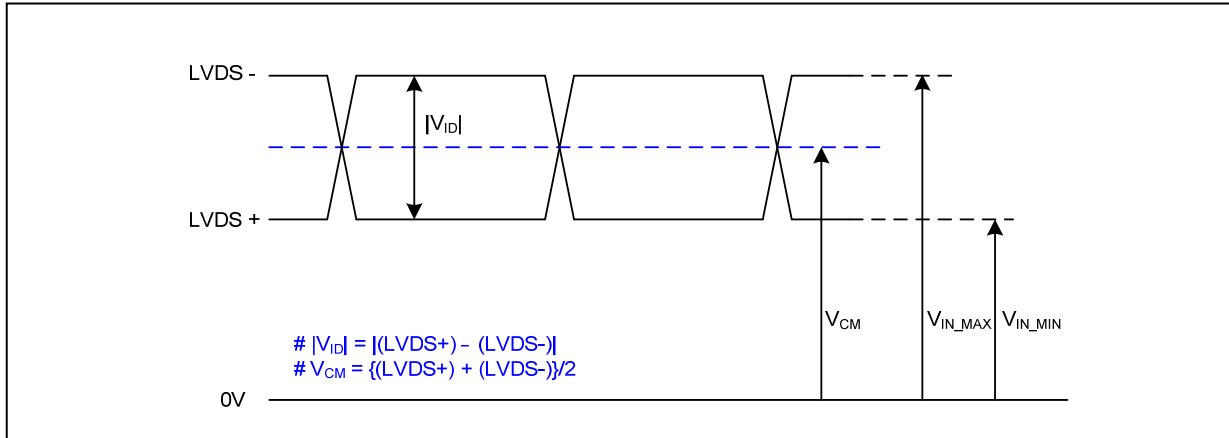
Rear view of LCM

Product Specification

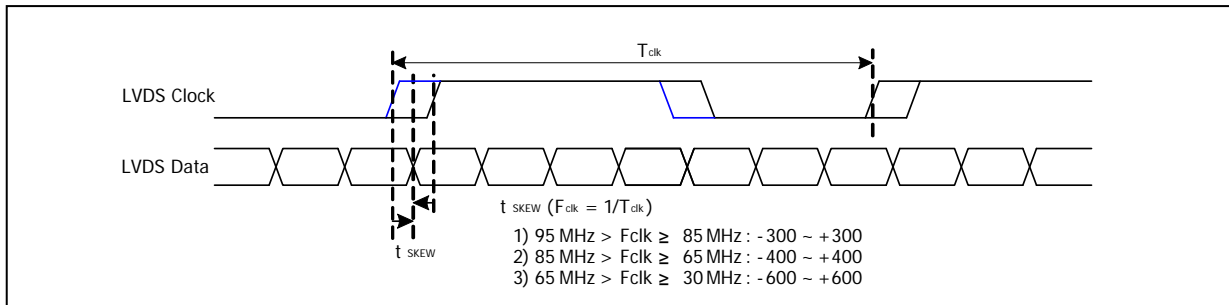
Table 4. REQUIRED SIGNAL ASSIGNMENT FOR LVDS TRANSMITTER



- Note :
1. The LCD module uses a 100 Ohm[Ω] resistor between positive and negative lines of each receiver input.
 2. Refer to LVDS Transmitter Data Sheet for detail descriptions. (THC63LVD103 or Compatible)
 3. '9' means MSB and '0' means LSB at R,G,B pixel data.

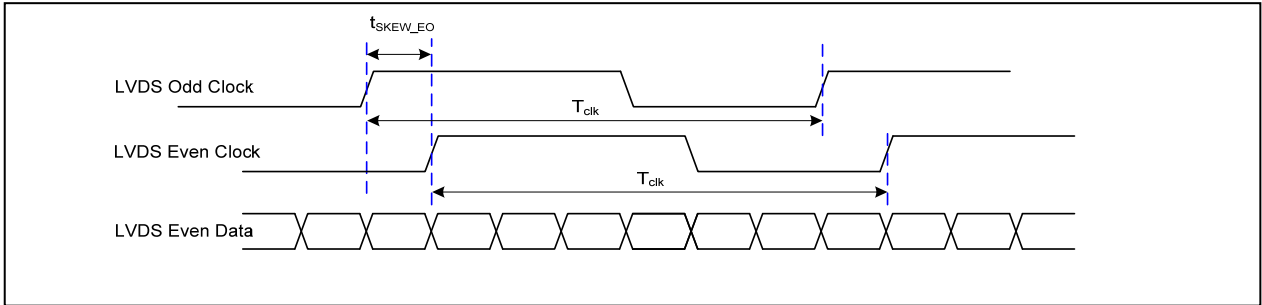
Product Specification
LVDS Input characteristics
1. DC Specification


| Description | Symbol | Min | Max | Unit | Notes |
|---------------------------|------------|-----|-----|------|-------|
| LVDS Differential Voltage | $ V_{ID} $ | 200 | 600 | mV | - |
| LVDS Common mode Voltage | V_{CM} | 1.0 | 1.5 | V | - |
| LVDS Input Voltage Range | V_{IN} | 0.7 | 1.8 | V | - |

2. AC Specification


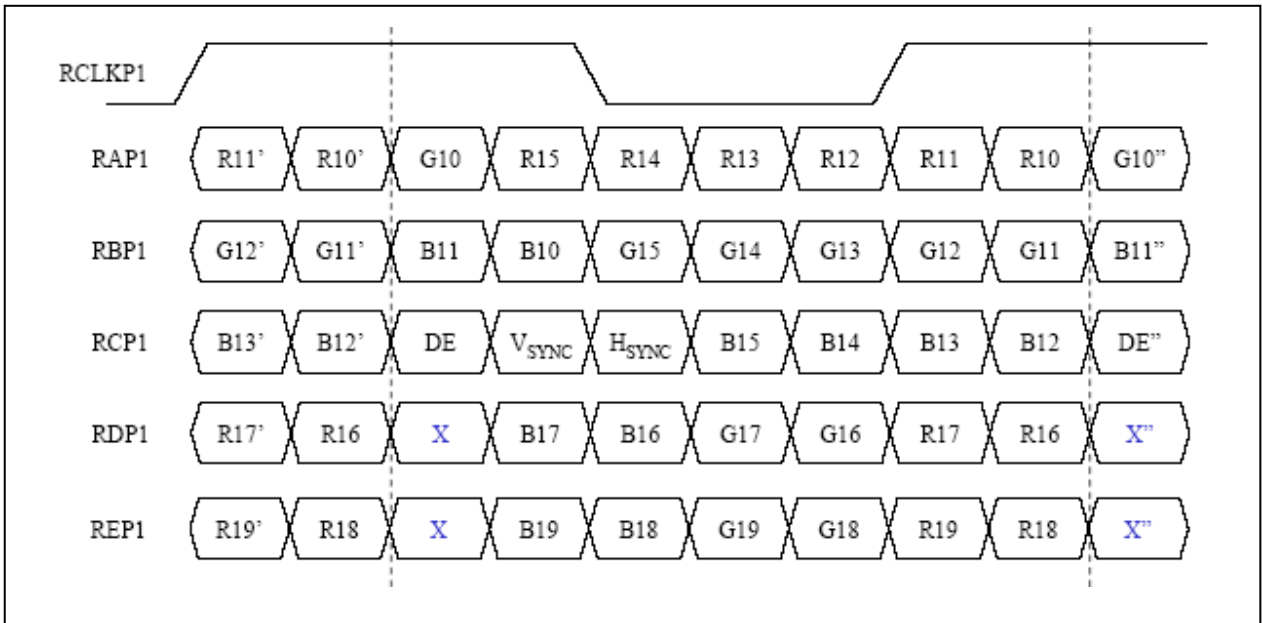
| Description | Symbol | Min | Max | Unit | Notes |
|---|----------------|-------|-------|-----------|--|
| LVDS Clock to Data Skew Margin | t_{SKEW} | - 300 | + 300 | ps | $95\text{MHz} > F_{clk} \geq 85\text{MHz}$ |
| | t_{SKEW} | - 400 | + 400 | ps | $85\text{MHz} > F_{clk} \geq 65\text{MHz}$ |
| | t_{SKEW} | - 600 | + 600 | ps | $65\text{MHz} > F_{clk} \geq 30\text{MHz}$ |
| LVDS Clock to Clock Skew Margin (Even to Odd) | t_{SKEW_EO} | - 1/7 | + 1/7 | T_{clk} | - |

Product Specification



< Clock skew margin between channel >

3. Data Format



< LVDS Data Format >

Product Specification

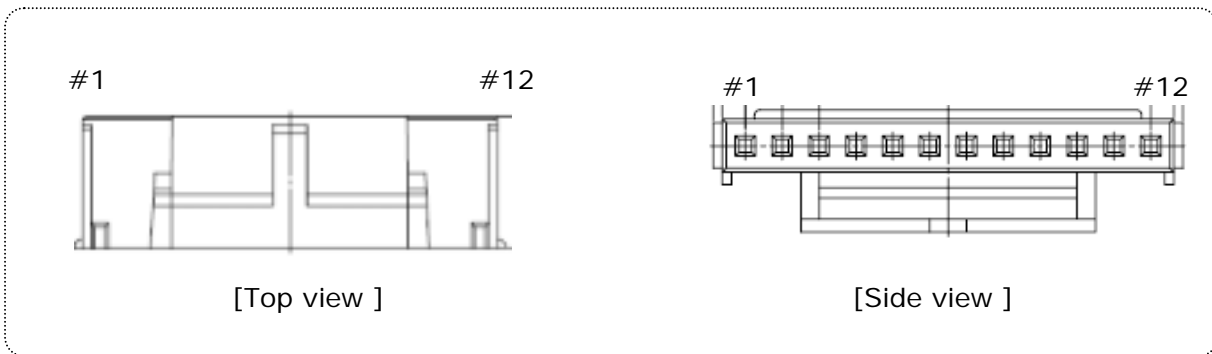
3-2-2. Backlight Connector Pin Configuration(CN2)

- LED Connector : H401K-D12N-12B (Manufactured by E&T)
- Mating Connector : 4530K-F12N-01R (Manufactured by E&T) or Equivalent.

Table 3-3. LED CONNECTOR PIN CONFIGURATION

| Pin No. | Symbol | Description | Note |
|---------|--------|-----------------------------|------|
| 1 | G_1- | Green LED channel 1 Cathode | |
| 2 | G_2- | Green LED channel 2 Cathode | |
| 3 | G_+ | Green Common Anode | |
| 4 | B_+ | Blue Common Anode | |
| 5 | B_1- | Blue LED channel 1 Cathode | |
| 6 | B_2- | Blue LED channel 2 Cathode | |
| 7 | B_3- | Blue LED channel 3 Cathode | |
| 8 | B_4- | Blue LED channel 4 Cathode | |
| 9 | B_+ | Blue Common Anode | |
| 10 | G_+ | Green Common Anode | |
| 11 | G_3- | Green LED channel 3 Cathode | |
| 12 | G_4- | Green LED channel 4 Cathode | |

- Notes :
1. Green Common Anode Pin. No. 3 & 10 must be connected electrically for stable operation.
 2. Blue Common Anode Pin. No. 4 & 9 must be connected electrically for stable operation.



Product Specification
3-3. Signal Timing Specifications

This is signal timing required at the input of the TMDS transmitter. All of the interface signal timing should be satisfied with the following specifications for it's proper operation.

Table 5. TIMING TABLE (VESA COORDINATED VIDEO TIMING)

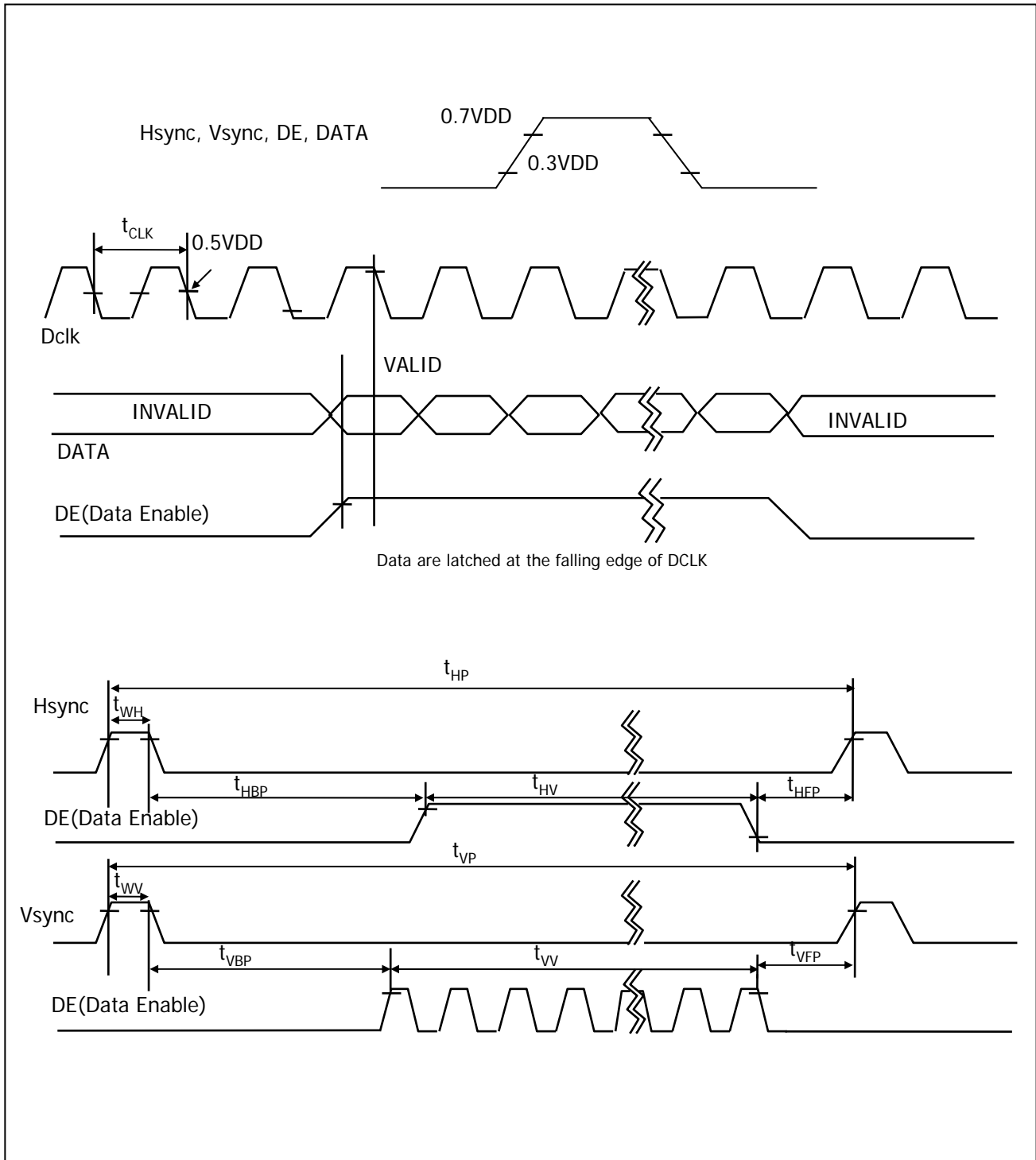
| ITEM | | SYMBOL | Min | Typ | Max | Unit | Note |
|--------|------------------------|--------|-------|-------|-------|------|----------------------------------|
| DCLK | Period | tCLK | 12.82 | 12.98 | 13.16 | ns | Pixel frequency : Typ. 154MHz |
| | Frequency | fCLK | 76 | 77 | 78 | MHz | |
| Hsync | Period | tHP | 1036 | 1040 | 1044 | tCLK | |
| | Width-Active | tWH | 16 | 16 | 16 | | |
| Vsync | Period | tVP | 1233 | 1235 | 1237 | tHP | |
| | Frequency | fV | 58.85 | 59.95 | 61 | Hz | |
| | Width-Active | tWV | 6 | 6 | 6 | tHP | |
| Data | Horizontal Valid | tHV | 960 | 960 | 960 | tCLK | |
| | Horizontal Back Porch | tHBP | 36 | 40 | 44 | | |
| | Horizontal Front Porch | tHFP | 20 | 24 | 28 | | |
| | Horizontal Blank | - | 76 | 80 | 84 | | |
| Enable | Vertical Valid | tVW | 1200 | 1200 | 1200 | tHP | |
| | Vertical Back Porch | tVBP | 25 | 26 | 27 | | |
| | Vertical Front Porch | tVFP | 2 | 3 | 4 | | |
| | Vertical Blank | - | 33 | 35 | 37 | | |

Note: Hsync period and Hsync width-active should be even number times of tCLK. If the value is odd number times of tCLK, display control signal can be asynchronous. In order to operate this LCM a Hsync, Vsync, and DE(data enable) signals should be used.

1. The performance of the electro-optical characteristics may be influenced by variance of the vertical refresh rates.
2. Vsync and Hsync should be keep the above specification.
3. Hsync Period, Hsync Width, and Horizontal Back Porch should be any times of of character number(8).
4. The polarity of Hsync, Vsync is not restricted.

Product Specification

3-4. Signal Timing Waveforms



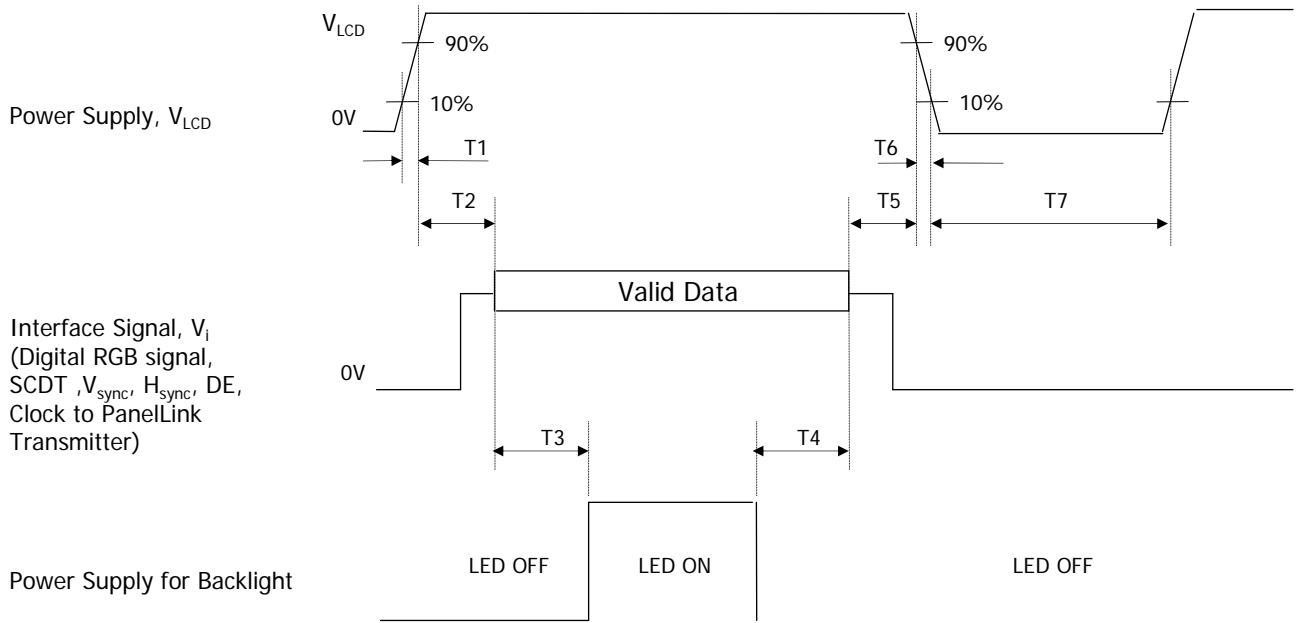
Product Specification

3-5. Color Input Data Reference

The Brightness of each primary color(red,green,blue) is based on the 10-bit gray scale data input for the color; the higher the binary input, the brighter the color. The table below provides a reference for color versus data input.

Table 6. COLOR DATA REFERENCE

| Color | | Input Color Data | | | | | | | | | | | | | | | | | | | | | | | | | | | | | |
|-------------|--------------|------------------|-----|-----|-----|-----|-----|-----|-----|-----|-----|-------|-----|-----|-----|-----|-----|-----|-----|-----|-----|------|-----|-----|-----|-----|-----|-----|-----|-----|-----|
| | | RED | | | | | | | | | | GREEN | | | | | | | | | | BLUE | | | | | | | | | |
| | | MSB | | | | | | | | | LSB | MSB | | | | | | | | | LSB | MSB | | | | | | | | | LSB |
| R9 | R8 | R7 | R6 | R5 | R4 | R3 | R2 | R1 | R0 | G9 | G8 | G7 | G6 | G5 | G4 | G3 | G2 | G1 | G0 | B9 | B8 | B7 | B6 | B5 | B4 | B3 | B2 | B1 | B0 | | |
| Basic Color | Black | 0 | 0 | 0 | 0 | 0 | 0 | 0 | 0 | 0 | 0 | 0 | 0 | 0 | 0 | 0 | 0 | 0 | 0 | 0 | 0 | 0 | 0 | 0 | 0 | 0 | 0 | 0 | 0 | 0 | |
| | Red (1023) | 1 | 1 | 1 | 1 | 1 | 1 | 1 | 1 | 1 | 1 | 1 | 1 | 1 | 1 | 1 | 1 | 1 | 1 | 1 | 0 | 0 | 0 | 0 | 0 | 0 | 0 | 0 | 0 | 0 | |
| | Green (1023) | 0 | 0 | 0 | 0 | 0 | 0 | 0 | 0 | 0 | 0 | 0 | 0 | 0 | 0 | 0 | 0 | 0 | 0 | 0 | 1 | 1 | 1 | 1 | 1 | 1 | 1 | 1 | 1 | 1 | |
| | Blue (1023) | 0 | 0 | 0 | 0 | 0 | 0 | 0 | 0 | 0 | 0 | 0 | 0 | 0 | 0 | 0 | 0 | 0 | 0 | 0 | 0 | 0 | 0 | 0 | 0 | 0 | 0 | 0 | 0 | 0 | |
| | Cyan | 0 | 0 | 0 | 0 | 0 | 0 | 0 | 0 | 0 | 0 | 0 | 0 | 0 | 0 | 0 | 0 | 0 | 0 | 0 | 1 | 1 | 1 | 1 | 1 | 1 | 1 | 1 | 1 | 1 | |
| | Magenta | 1 | 1 | 1 | 1 | 1 | 1 | 1 | 1 | 1 | 1 | 1 | 1 | 1 | 1 | 1 | 1 | 1 | 1 | 1 | 0 | 0 | 0 | 0 | 0 | 0 | 0 | 0 | 0 | 0 | |
| | Yellow | 1 | 1 | 1 | 1 | 1 | 1 | 1 | 1 | 1 | 1 | 1 | 1 | 1 | 1 | 1 | 1 | 1 | 1 | 1 | 1 | 1 | 1 | 1 | 1 | 1 | 1 | 1 | 1 | 1 | |
| | White | 1 | 1 | 1 | 1 | 1 | 1 | 1 | 1 | 1 | 1 | 1 | 1 | 1 | 1 | 1 | 1 | 1 | 1 | 1 | 1 | 1 | 1 | 1 | 1 | 1 | 1 | 1 | 1 | 1 | |
| RED | RED (000) | 0 | 0 | 0 | 0 | 0 | 0 | 0 | 0 | 0 | 0 | 0 | 0 | 0 | 0 | 0 | 0 | 0 | 0 | 0 | 0 | 0 | 0 | 0 | 0 | 0 | 0 | 0 | 0 | | |
| | RED (001) | 0 | 0 | 0 | 0 | 0 | 0 | 0 | 0 | 0 | 0 | 0 | 0 | 0 | 0 | 0 | 0 | 0 | 0 | 0 | 0 | 0 | 0 | 0 | 0 | 0 | 0 | 0 | 0 | 1 | |
| | ... | ... | ... | ... | ... | ... | ... | ... | ... | ... | ... | ... | ... | ... | ... | ... | ... | ... | ... | ... | ... | ... | ... | ... | ... | ... | ... | ... | ... | ... | |
| | RED (1022) | 1 | 1 | 1 | 1 | 1 | 1 | 1 | 1 | 1 | 1 | 1 | 1 | 1 | 1 | 1 | 1 | 1 | 1 | 1 | 0 | 0 | 0 | 0 | 0 | 0 | 0 | 0 | 0 | 0 | |
| | RED (1023) | 1 | 1 | 1 | 1 | 1 | 1 | 1 | 1 | 1 | 1 | 1 | 1 | 1 | 1 | 1 | 1 | 1 | 1 | 1 | 1 | 1 | 1 | 1 | 1 | 1 | 1 | 1 | 1 | 1 | |
| GREEN | GREEN (000) | 0 | 0 | 0 | 0 | 0 | 0 | 0 | 0 | 0 | 0 | 0 | 0 | 0 | 0 | 0 | 0 | 0 | 0 | 0 | 0 | 0 | 0 | 0 | 0 | 0 | 0 | 0 | 0 | 0 | |
| | GREEN (001) | 0 | 0 | 0 | 0 | 0 | 0 | 0 | 0 | 0 | 0 | 0 | 0 | 0 | 0 | 0 | 0 | 0 | 0 | 0 | 0 | 0 | 0 | 0 | 0 | 0 | 0 | 0 | 0 | 1 | |
| | ... | ... | ... | ... | ... | ... | ... | ... | ... | ... | ... | ... | ... | ... | ... | ... | ... | ... | ... | ... | ... | ... | ... | ... | ... | ... | ... | ... | ... | ... | |
| | GREEN (1022) | 0 | 0 | 0 | 0 | 0 | 0 | 0 | 0 | 0 | 0 | 0 | 0 | 0 | 0 | 0 | 0 | 0 | 0 | 0 | 1 | 1 | 1 | 1 | 1 | 1 | 1 | 1 | 1 | 0 | |
| | GREEN (1023) | 0 | 0 | 0 | 0 | 0 | 0 | 0 | 0 | 0 | 0 | 0 | 0 | 0 | 0 | 0 | 0 | 0 | 0 | 0 | 1 | 1 | 1 | 1 | 1 | 1 | 1 | 1 | 1 | 1 | |
| BLUE | BLUE (000) | 0 | 0 | 0 | 0 | 0 | 0 | 0 | 0 | 0 | 0 | 0 | 0 | 0 | 0 | 0 | 0 | 0 | 0 | 0 | 0 | 0 | 0 | 0 | 0 | 0 | 0 | 0 | 0 | 0 | |
| | BLUE (001) | 0 | 0 | 0 | 0 | 0 | 0 | 0 | 0 | 0 | 0 | 0 | 0 | 0 | 0 | 0 | 0 | 0 | 0 | 0 | 0 | 0 | 0 | 0 | 0 | 0 | 0 | 0 | 0 | 1 | |
| | ... | ... | ... | ... | ... | ... | ... | ... | ... | ... | ... | ... | ... | ... | ... | ... | ... | ... | ... | ... | ... | ... | ... | ... | ... | ... | ... | ... | ... | ... | |
| | BLUE (1022) | 0 | 0 | 0 | 0 | 0 | 0 | 0 | 0 | 0 | 0 | 0 | 0 | 0 | 0 | 0 | 0 | 0 | 0 | 0 | 0 | 0 | 0 | 0 | 0 | 0 | 0 | 0 | 0 | 1 | |
| | BLUE (1023) | 0 | 0 | 0 | 0 | 0 | 0 | 0 | 0 | 0 | 0 | 0 | 0 | 0 | 0 | 0 | 0 | 0 | 0 | 0 | 0 | 0 | 0 | 0 | 0 | 0 | 0 | 0 | 0 | 1 | |

Product Specification
3-6. Power Sequence

Table 7. POWER SEQUENCE

| Parameter | Values | | | Units |
|-----------|--------|-----|-----|-------|
| | Min | Typ | Max | |
| T1 | 0.5 | - | 10 | ms |
| T2 | 0.5 | - | 50 | ms |
| T3 | 500 | - | - | ms |
| T4 | 200 | - | - | ms |
| T5 | 0.01 | - | 50 | ms |
| T7 | 1000 | - | - | ms |

- Notes :
1. Please avoid floating state of interface signal at invalid period.
 2. When the interface signal is invalid, be sure to pull down the power supply for LCD V_{LCD} to 0V.
 3. LED power must be turn on after power supply for LCD and interface signal are valid.

Product Specification

3-7. V_{LCD} Power Dip Condition

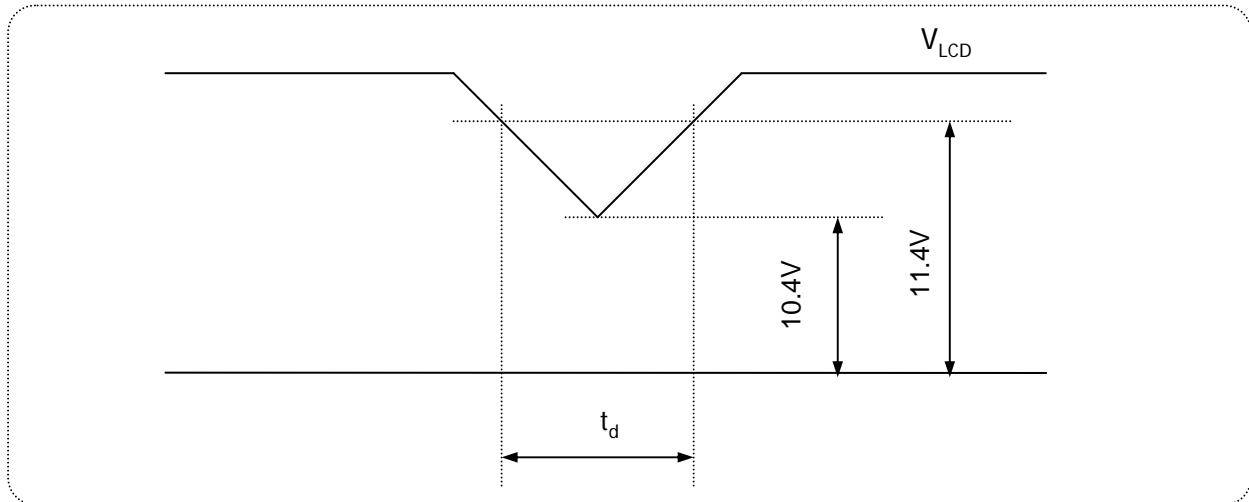


FIG.6 Power dip condition

1) Dip condition

$$10.4V \leq V_{LCD} < 11.4V, t_d \leq 20ms$$

2) $V_{LCD} < 10.4V$

V_{LCD} -dip conditions should also follow the Power On/Off conditions for supply voltage.

Product Specification
4. Optical Specifications

Optical characteristics are determined after the unit has been 'ON' for approximately 30 minutes in a dark environment at $25 \pm 2^\circ\text{C}$. The values specified are at an approximate distance 50cm from the LCD surface at a viewing angle of Φ and θ equal to 0° and aperture 1 degree.

FIG. 1 presents additional information concerning the measurement equipment and method.

Table 9. OPTICAL CHARACTERISTICS

($T_a=25^\circ\text{C}$, $V_{\text{LCD}}=12.0\text{V}$, $f_v=60\text{Hz}$ Dclk=154MHz I_{BL}=G90mA/B55mA)

| Parameter | | Symbol | Values | | | Units | Notes |
|--------------------------------|--------------|-------------------------|--------------|---------|--------------|-------------------|-------|
| | | | Min | Typ | Max | | |
| Contrast Ratio | | CR | 700 | 1000 | | | 1 |
| Surface Luminance, white | | L _{WH} | 280 | 350 | | cd/m ² | 2 |
| Luminance Variation | | δ_{WHITE} | 75 | | | % | 3 |
| Response Time | Gray to Gray | T _{GTG_AVR} | - | 6 | 12 | ms | 4 |
| Color Coordinates [CIE1931] | RED | Rx | Typ -0.03 | (0.680) | Typ +0.03 | | |
| | | Ry | | (0.310) | | | |
| | GREEN | Gx | | (0.210) | | | |
| | | Gy | | (0.700) | | | |
| | BLUE | Bx | | (0.147) | | | |
| | | By | | (0.054) | | | |
| | WHITE | Wx | | (0.313) | | | |
| | | Wy | | (0.329) | | | |
| Color Coordinates [CIE1976] | RED | Ru' | - | (0.507) | - | | |
| | | Rv' | | (0.521) | | | |
| | GREEN | Gu' | | (0.077) | | | |
| | | Gv' | | (0.573) | | | |
| | BLUE | Bu' | | (0.175) | | | |
| | | Bv' | | (0.145) | | | |
| | WHITE | Wu' | | (0.198) | | | |
| | | Wv' | | (0.468) | | | |
| Color Shift | Horizontal | θ_{CST_H} | - | 178 | - | Degree | 5 |
| | Vertical | θ_{CST_V} | - | 178 | - | | |
| Viewing Angle (CR>10) | | | | | | | |
| General | Horizontal | θ_H | 170 | 178 | - | Degree | 6 |
| | Vertical | θ_V | 170 | 178 | - | | |
| Effective | Horizontal | θ_{GMA_H} | | 178 | - | Degree | 7 |
| | Vertical | θ_{GMA_V} | | 178 | - | | |
| Gray Scale | | | | 2.2 | | | 8 |

Product Specification

Notes 1. Contrast Ratio(CR) is defined mathematically as : **(By PR880)**

$$\text{Contrast Ratio} = \frac{\text{Surface Luminance with all white pixels}}{\text{Surface Luminance with all black pixels}}$$

It is measured at center point(Location P1)

2. Surface luminance(L_{WH})is luminance value at 1 point(1) across the LCD surface 50cm from the surface with all pixels displaying white. For more information see FIG 2.

3. The variation in surface luminance , δ WHITE is defined as : **(By PR880)**

$$\delta_{\text{WHITE}} = \frac{\text{Minimum}(L_{P1}, L_{P2}, \dots, L_{P9})}{\text{Maximum}(L_{P1}, L_{P2}, \dots, L_{P9})} \times 100$$

Where L1 to L9 are the luminance with all pixels displaying white at 9 locations.
For more information see FIG 2.

4. Gray to gray response time is the time required for the display to transition from gray to gray.
For additional information see Table 10. **(By RD80)**

5. Color shift is the angle at which the color difference is lower than 0.04.
For more information see FIG 3. **(By EZ Contrast)**
- Color difference (Δu'v')

$$u' = \frac{4x}{-2x + 12y + 3} \quad v' = \frac{9y}{-2x + 12y + 3}$$

$$\Delta u'v' = \sqrt{(u'_1 - u'_2)^2 + (v'_1 - v'_2)^2} \quad \begin{array}{l} u'_1, v'_1 : u'v' \text{ value at viewing angle direction} \\ u'_2, v'_2 : u'v' \text{ value at front } (\theta=0) \end{array}$$

- Pattern size : 25% Box size
- Viewing angle direction of color shift : Horizontal, Vertical

6. Viewing angle is the angle at which the contrast ratio is greater than 10. The angles are determined for the horizontal or x axis and the vertical or y axis with respect to the z axis which is normal to the LCD surface. For more information see FIG 4. **(By PR880)**

7. Effective viewing angle is the angle at which the gamma shift of gray scale is lower than 0.3.
For more information see FIG 5 and FIG 6.

8. Gray scale specification
Gamma Value is approximately 2.2. For more information see Table 11.

Product Specification

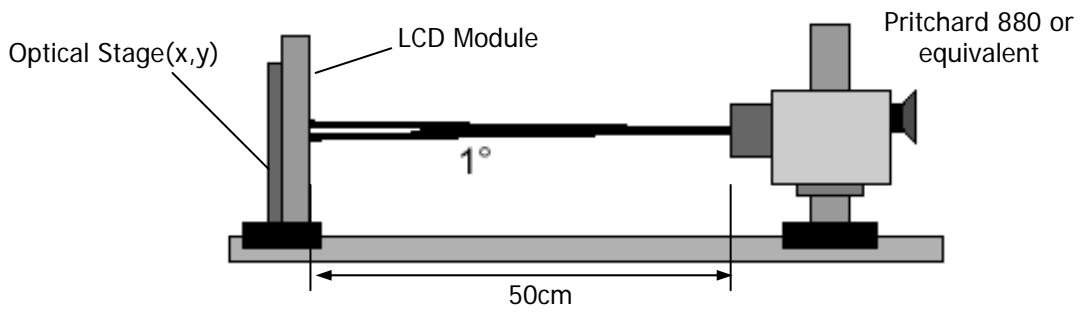


FIG. 1 Optical Characteristic Measurement Equipment and Method

Measuring point for surface luminance & measuring point for luminance variation.

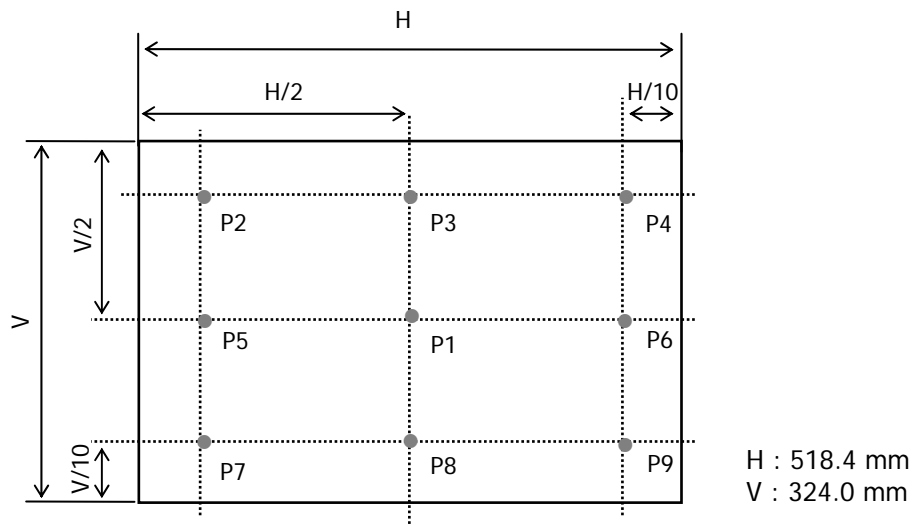


FIG. 2 Measure Point for Luminance

Product Specification

The gray to gray response time is defined as the following figure and shall be measured by switching the input signal for "Gray To Gray".

- Gray step : 5 step
- T_{GTG_AVR} is the total average time at rising time and falling time for "Gray To Gray".
- T_{GTG_MAX} is the max time at rising time or falling time for "Gray To Gray".
- In case of the difference in measured values due to the difference of measuring device or program was found, correlated value will be used after discussions between both parties.

Table 10. Gray to gray response time table

| Gray to Gray | | Rising Time | | | | |
|--------------|-------|-------------|------|------|------|----|
| | | G1023 | G767 | G511 | G255 | G0 |
| Falling Time | G1023 | | | | | |
| | G767 | | | | | |
| | G511 | | | | | |
| | G255 | | | | | |
| | G0 | | | | | |

Color shift is defined as the following test pattern and color.

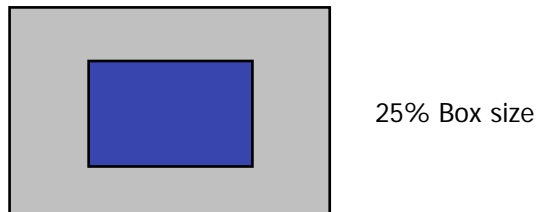


FIG. 3 Color Shift Test Pattern

Average RGB values in Bruce RGB for Macbeth Chart

| | | | | | | |
|---|-----------|---------------|--------------|-----------|--------------|---------------|
| | Dark skin | Light skin | Blue sky | Foliage | Blue flower | Bluish green |
| R | 395 | 827 | 343 | 311 | 519 | 459 |
| G | 227 | 571 | 451 | 411 | 475 | 799 |
| B | 183 | 495 | 647 | 187 | 743 | 715 |
| | Orange | Purplish blue | Moderate red | Purple | Yellow green | Orange yellow |
| R | 879 | 227 | 847 | 307 | 643 | 923 |
| G | 419 | 279 | 271 | 159 | 775 | 651 |
| B | 99 | 699 | 351 | 347 | 235 | 119 |
| | Blue | Green | Red | Yellow | Magenta | cyan |
| R | 107 | 291 | 791 | 967 | 831 | 143 |
| G | 131 | 595 | 111 | 851 | 251 | 507 |
| B | 583 | 263 | 151 | 147 | 607 | 691 |
| | White | Neutral 8 | Neutral 6.5 | Neutral 5 | Neutral 3.5 | black |
| R | 963 | 827 | 623 | 443 | 255 | 91 |
| G | 963 | 827 | 623 | 443 | 255 | 91 |
| B | 963 | 827 | 623 | 443 | 255 | 91 |

Product Specification

Dimension of viewing angle range.

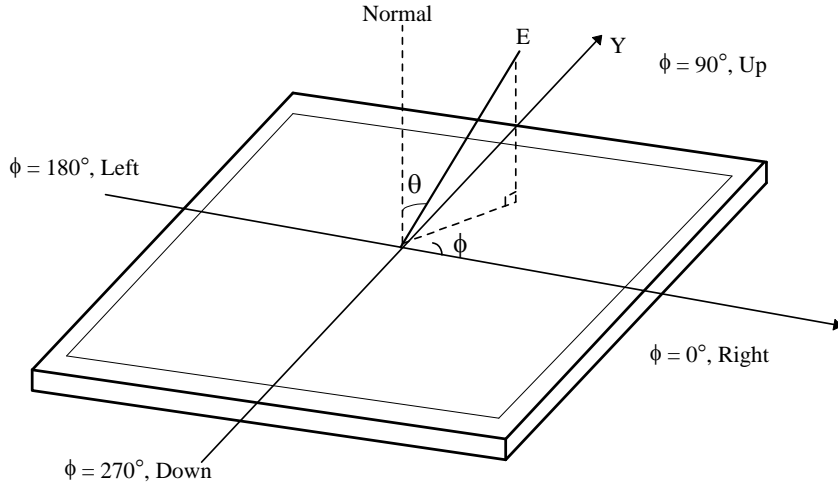


FIG. 4 Viewing angle

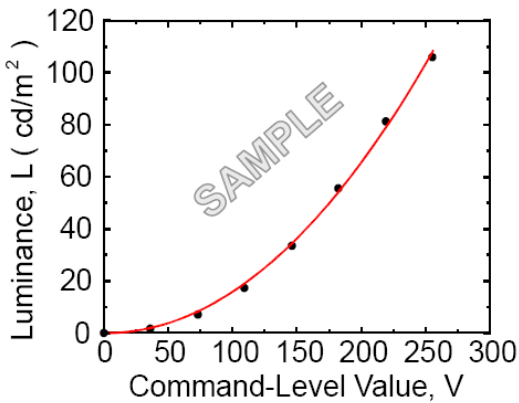


FIG. 5 Sample Luminance vs. gray scale (using a 256 bit gray scale)

$$L = aV^r + L_b$$

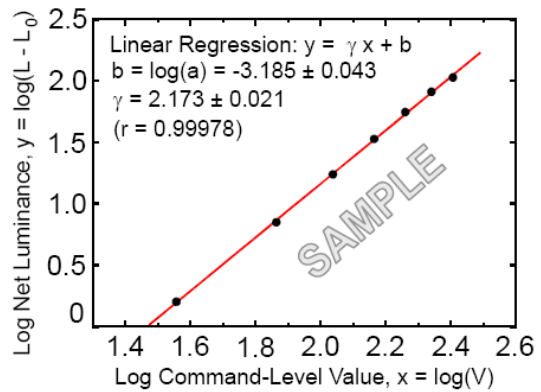


FIG. 6 Sample Log-log plot of luminance vs. gray scale

$$\log(L - L_b) = r \log(V) + \log(a)$$

Here the Parameter α and γ relate the signal level V to the luminance L .
 The GAMMA we calculate from the log-log representation (FIG. 6)

Product Specification
Table 11. Gray Scale Specification

| Gray Level | Relative Luminance [%] (Typ.) |
|------------|-------------------------------|
| 0 | 0.10 |
| 63 | 0.30 |
| 127 | 1.08 |
| 191 | 2.50 |
| 255 | 4.71 |
| 319 | 7.70 |
| 383 | 11.52 |
| 447 | 16.18 |
| 511 | 21.72 |
| 575 | 28.15 |
| 639 | 35.51 |
| 703 | 43.81 |
| 767 | 53.07 |
| 831 | 63.30 |
| 895 | 74.52 |
| 959 | 86.75 |
| 1023 | 100 |

Product Specification
5. Mechanical Characteristics

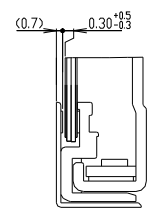
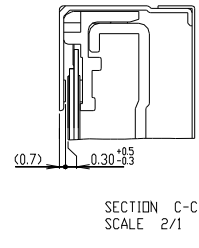
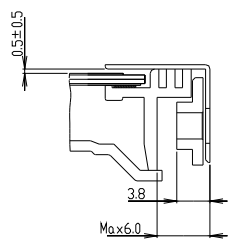
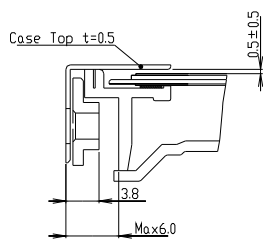
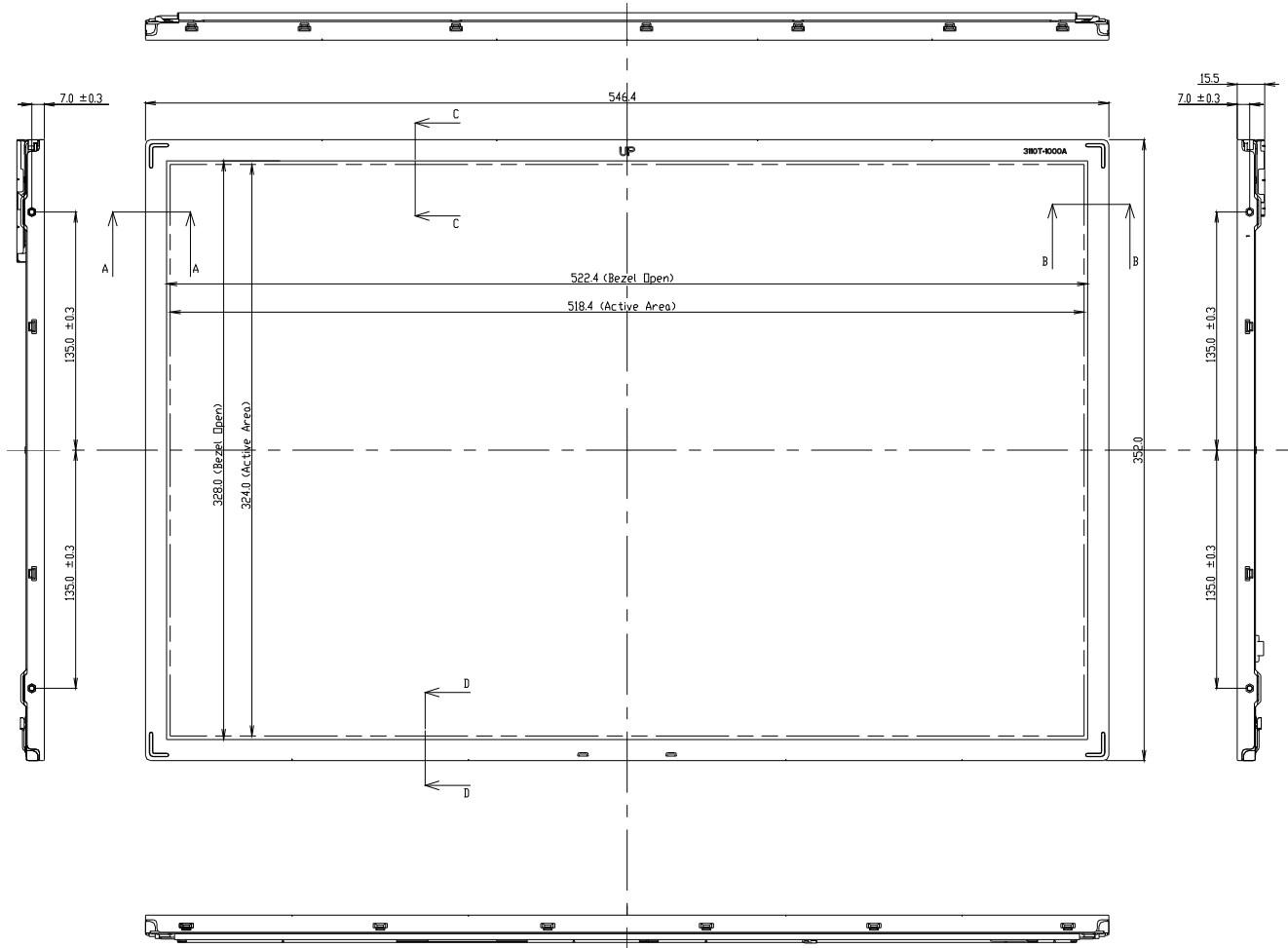
The contents provide general mechanical characteristics. In addition the figures in the next page are detailed mechanical drawing of the LCD.

| | | |
|---------------------|---|---------|
| Outline Dimension | Horizontal | 546.4mm |
| | Vertical | 352.0mm |
| | Depth | 15.5mm |
| Bezel Area | Horizontal | 522.4mm |
| | Vertical | 328.0mm |
| Active Display Area | Horizontal | 518.4mm |
| | Vertical | 324.0mm |
| Weight | 2450 g(Typ) / 2575g(Max) | |
| Surface Treatment | Hard coating(3H) Anti-glare treatment of the front polarizer | |

Notes : Please refer to a mechanic drawing in terms of tolerance at the next page.

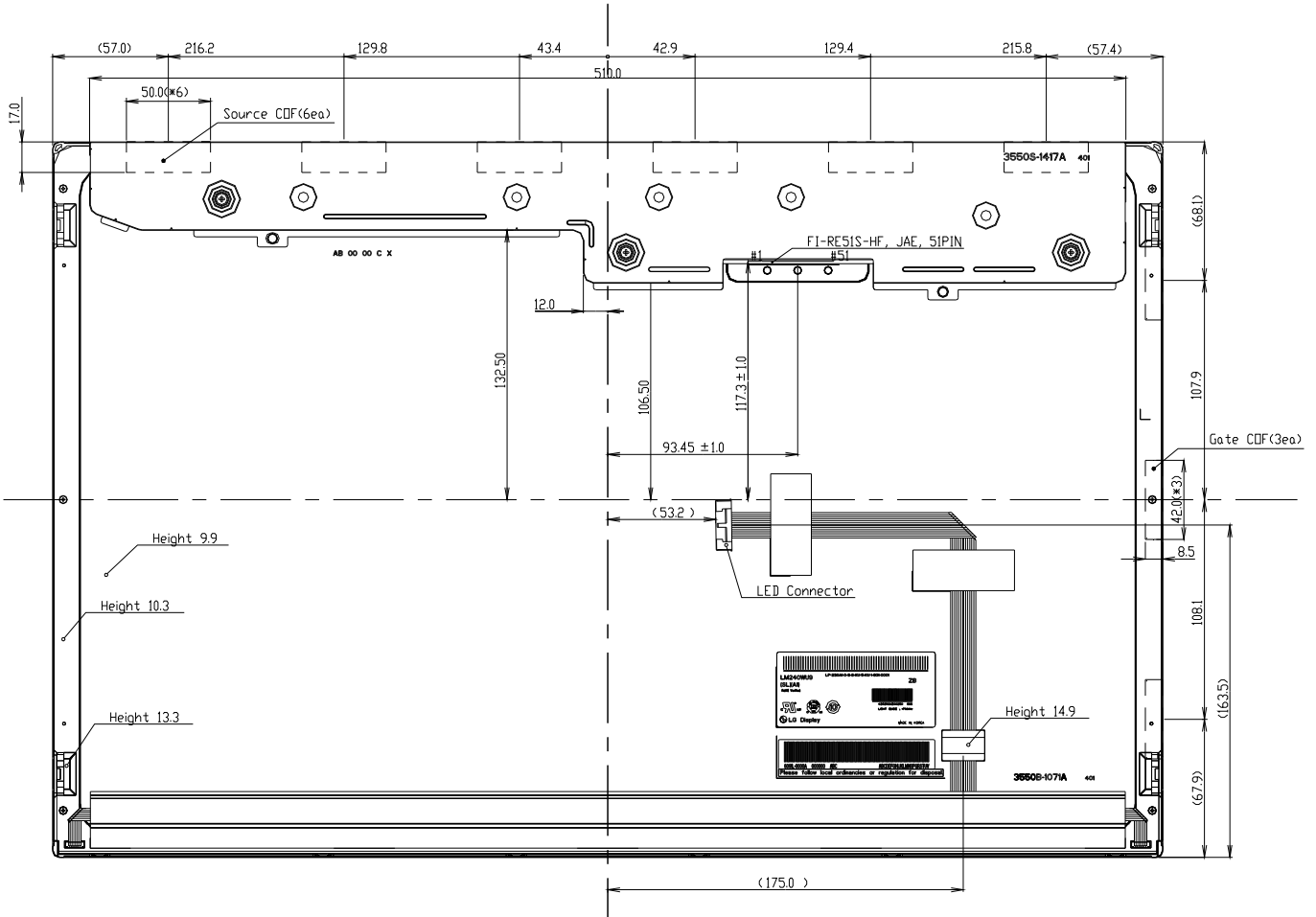
Product Specification

<FRONT VIEW>



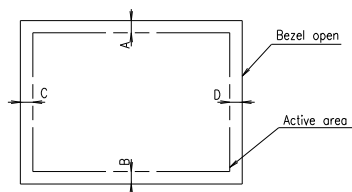
Product Specification

<REAR VIEW>



Notes

1. I/F Connector Specification
-FI-RESIS-HF, JAE, 51PIN
2. LED Connector Specification
-E&T, H401K-D12N-12B
3. Torque of user hole: 2.5~3.5kgf-cm.
4. Tilt and partial disposition tolerance of display area as following
 - (1) Y-direction : $|A-B| \leq 1.4$
 - (2) X-direction : $|C-D| \leq 1.4$



5. Unspecified tolerances to be $\pm 0.5\text{mm}$
6. The COF area is weak & sensitive, so please don't press the COF area

Product Specification
6. Reliability

Environment test condition

| No | Test Item | Condition |
|----|--|---|
| 1 | High temperature storage test | Ta= 60°C 240h |
| 2 | Low temperature storage test | Ta= -20°C 240h |
| 3 | High temperature operation test | Ta= 50°C 50%RH 240h |
| 4 | Low temperature operation test | Ta= 0°C 240h |
| 5 | Vibration test (non-operating) | Wave form : random Vibration level : 1.0G RMS Bandwidth : 10-300Hz Duration : X,Y,Z, 10 min One time each direction |
| 6 | Shock test (non-operating) | Shock level : 100G Waveform : half sine wave, 2ms Direction : ±X, ±Y, ±Z One time each direction |
| 7 | Humidity condition Operation | Ta= 40 °C ,90%RH |
| 8 | Altitude operating storage / shipment | 0 – 16,500 feet(5,000m) 0 - 40,000 feet(12,192m) |
| 9 | Maximum Storage Humidity for 4 corner light leakage Mura. | Max 70%RH , Ta=40°C |

7. International Standards

7-1. Safety

- a) UL 60950-1, Underwriters Laboratories Inc.
Information Technology Equipment - Safety - Part 1 : General Requirements.
- b) CAN/CSA C22.2 No.60950-1-07, Canadian Standards Association.
Information Technology Equipment - Safety - Part 1 : General Requirements.
- c) EN 60950-1, European Committee for Electrotechnical Standardization (CENELEC).
Information Technology Equipment - Safety - Part 1 : General Requirements.
- d) IEC 60950-1, The International Electrotechnical Commission (IEC).
Information Technology Equipment - Safety - Part 1 : General Requirements.
(Including report of IEC60825-1:2001 clause 8 and clause 9)

Notes

1. Laser (LED Backlight) Information

| |
|---|
| Class 1M LED Product IEC60825-1 : 2001 Embedded LED Power (Class1M) |
|---|

2. Caution

: LED inside.

Class 1M laser (LEDs) radiation when open.
Do not open while operating.

7-2. EMC

- a) ANSI C63.4 "American National Standard for Methods of Measurement of Radio-Noise Emissions from Low-Voltage Electrical and Electronic Equipment in the Range of 9 kHz to 40 GHz." American National Standards Institute (ANSI), 2003.
- b) CISPR 22 "Information technology equipment – Radio disturbance characteristics – Limit and methods of measurement." International Special Committee on Radio Interference (CISPR), 2005.
- c) CISPR 13 "Sound and television broadcast receivers and associated equipment – Radio disturbance characteristics – Limits and method of measurement." International Special Committee on Radio Interference (CISPR), 2006.

7-3. Environment

- a) RoHS. Directive 2002/95/EC of the European Parliament and of the Council on the reduction of the use of certain hazardous substances in electrical and electronic equipment. January 2003

Product Specification

8. Packing

8-1. Designation of Lot Mark

a) Lot Mark

| | | | | | | | | | | | | |
|---|---|---|---|---|---|---|---|---|---|---|---|---|
| A | B | C | D | E | F | G | H | I | J | K | L | M |
|---|---|---|---|---|---|---|---|---|---|---|---|---|

A,B,C : SIZE(INCH)
E : MONTH

D : YEAR
F ~ M : SERIAL NO.

Note

1. YEAR

| | | | | | | | | | | |
|------|------|------|------|------|------|------|------|------|------|------|
| Year | 2011 | 2012 | 2013 | 2014 | 2015 | 2016 | 2017 | 2018 | 2019 | 2020 |
| Mark | A | B | C | D | E | F | G | H | J | K |

2. Month

| | | | | | | | | | | | | |
|-------|-----|-----|-----|-----|-----|-----|-----|-----|-----|-----|-----|-----|
| Month | Jan | Feb | Mar | Apr | May | Jun | Jul | Aug | Sep | Oct | Nov | Dec |
| Mark | 1 | 2 | 3 | 4 | 5 | 6 | 7 | 8 | 9 | A | B | C |

b) Location of Lot Mark

Serial No. is printed on the label. The label is attached to the backside of the LCD module.
This is subject to change without prior notice.

8-2. Packing Form

a) Package quantity in one box : 8 EA

b) Box Size : 355 X 408 X 600

Product Specification**9. PRECAUTIONS**

Please pay attention to the followings when you use this TFT LCD module.

9-1. MOUNTING PRECAUTIONS

- (1) You must mount a module using holes arranged in four corners or four sides.
- (2) You should consider the mounting structure so that uneven force (ex. Twisted stress) is not applied to the module. And the case on which a module is mounted should have sufficient strength so that external force is not transmitted directly to the module.
- (3) Please attach the surface transparent protective plate to the surface in order to protect the polarizer. Transparent protective plate should have sufficient strength in order to resist external force.
- (4) You should adopt radiation structure to satisfy the temperature specification.
- (5) Acetic acid type and chlorine type materials for the cover case are not desirable because the former generates corrosive gas of attacking the polarizer at high temperature and the latter causes circuit break by electro-chemical reaction.
- (6) Do not touch, push or rub the exposed polarizers with glass, tweezers or anything harder than HB pencil lead. And please do not rub with dust clothes with chemical treatment. Do not touch the surface of polarizer for bare hand or greasy cloth. (Some cosmetics are detrimental to the polarizer.)
- (7) When the surface becomes dusty, please wipe gently with absorbent cotton or other soft materials like chamois soaks with petroleum benzene. Normal-hexane is recommended for cleaning the adhesives used to attach front / rear polarizers. Do not use acetone, toluene and alcohol because they cause chemical damage to the polarizer.
- (8) Wipe off saliva or water drops as soon as possible. Their long time contact with polarizer causes deformations and color fading.
- (9) Do not open the case because inside circuits do not have sufficient strength.
- (10) As The IPS panel is sensitive & slim, please recommend the metal frame of the system supports the panel by the double side-mount.

9-2. OPERATING PRECAUTIONS

- (1) The spike noise causes the mis-operation of circuits. It should be lower than following voltage :
 $V = \pm 200\text{mV}$ (Over and under shoot voltage)
- (2) Response time depends on the temperature. (In lower temperature, it becomes longer.)
- (3) Brightness depends on the temperature. (In higher temperature, it becomes lower.)
And in lower temperature, response time (required time that brightness is stable after turned on) becomes longer.
- (4) Be careful for condensation at sudden temperature change. Condensation makes damage to polarizer or electrical contacted parts. And after fading condensation, smear or spot will occur.
- (5) When fixed patterns are displayed for a long time, remnant image is likely to occur.
- (6) Module has high frequency circuits. Sufficient suppression to the electromagnetic interference shall be done by system manufacturers. Grounding and shielding methods may be important to minimize the interference.
- (7) Please do not give any mechanical and/or acoustical impact to LCM. Otherwise, LCM can't be operated its full characteristics perfectly.
- (8) A screw which is fastened up the steels should be a machine screw.
(if not, it causes metallic foreign material and deal LCM a fatal blow)
- (9) Please do not set LCD on its edge.
- (10) When LCMs are used for public display defects such as Yogure, image sticking can not be guaranteed
- (11) LCMs cannot support "interlaced Scan Method"

Product Specification**9-3. ELECTROSTATIC DISCHARGE CONTROL**

Since a module is composed of electronic circuits, it is not strong to electrostatic discharge. Make certain that treatment persons are connected to ground through wrist band etc. And don't touch interface pin directly.

9-4. PRECAUTIONS FOR STRONG LIGHT EXPOSURE

Strong light exposure causes degradation of polarizer and color filter.

9-5. STORAGE

When storing modules as spares for a long time, the following precautions are necessary.

- (1) Store them in a dark place. Do not expose the module to sunlight or fluorescent light. Keep the temperature between 5°C and 35°C at normal humidity.
- (2) The polarizer surface should not come in contact with any other object.
It is recommended that they be stored in the container in which they were shipped.

9-6. HANDLING PRECAUTIONS FOR PROTECTION FILM

- (1) The protection film is attached to the bezel with a small masking tape.
When the protection film is peeled off, static electricity is generated between the film and polarizer.
This should be peeled off slowly and carefully by people who are electrically grounded and with well ion-blown equipment or in such a condition, etc.
- (2) When the module with protection film attached is stored for a long time, sometimes there remains a very small amount of glue still on the bezel after the protection film is peeled off.
- (3) You can remove the glue easily. When the glue remains on the bezel surface or its vestige is recognized, please wipe them off with absorbent cotton waste or other soft material like chamois soaked with normal-hexane.