

# TFT-DISPLAY DATASHEET

ONation  
Model:OT101CAWDLT-01

## BRIEF SPEC.:

Main Feature	LandscapeType Wide Viewing Angle Touch Screen
Active Screen Area	222.72 x 125.28 [mm]
Diagonal   Format	10.1"   16:9
Resolution	1024 X 600
Colors	[6 und 8 Bit]
Backlight	LED White
Brightness	400 cd/m <sup>2</sup>
LED Life Time	50K (h)
Interface	LVDS
Viewing Angle	80/80 L/R 80/80 up/down
Touchscreen	yes
Power Supply	3.3 V (Typ.)
Module Outline	263.12 x 166.68 x 14.3 [mm]
Operation Temperature	-10... +60 °C
Storage Temperature	-20... +70 °C
Surface Treatment	



# ONation Corporation

## TFT COLOR LCD MODULE

MODEL: OT101CAWDLT-01

WSVGA  
LVDS interface

Version: P0.2

Customer : _____
Approved By : _____
Date: _____

ONATION		
APPROVAL	CHECKER	PREPARE
<i>Ian</i>	<i>Josh</i>	<i>Aiden</i>

[All information is subject to change without notice.](#)  
[Please confirm the sales representative before starting to design your system](#)

## CONTENTS

NO.	ITEM	PAGE
1	RECORD OF REVISION	0-1
2	MECHANICAL SPECIFICATIONS	1
3	OUTLINE DIMENSIONS	2
4	INTERFACE PIN CONNECTION	3~4
5	BLOCK DIAGRAM	5
6	ABSOLUTE MAXIMUM RATINGS	5
7	ELECTRICAL CHARACTERISTICS	6
8	OPTICAL CHARACTERISTICS	7~9
9	TOUCH PANEL SPECIFICATIONS	10
10	TIMING SPECIFICATIONS	11~12
11	RELIABILITY TEST	13~14
12	MODEL NUMBER SYSTEM	15
13	LCM INSPECTION STANDARD	16
14	PACKAGE INFORMATION	16
15	PRECAUTIONS FOR USE	17

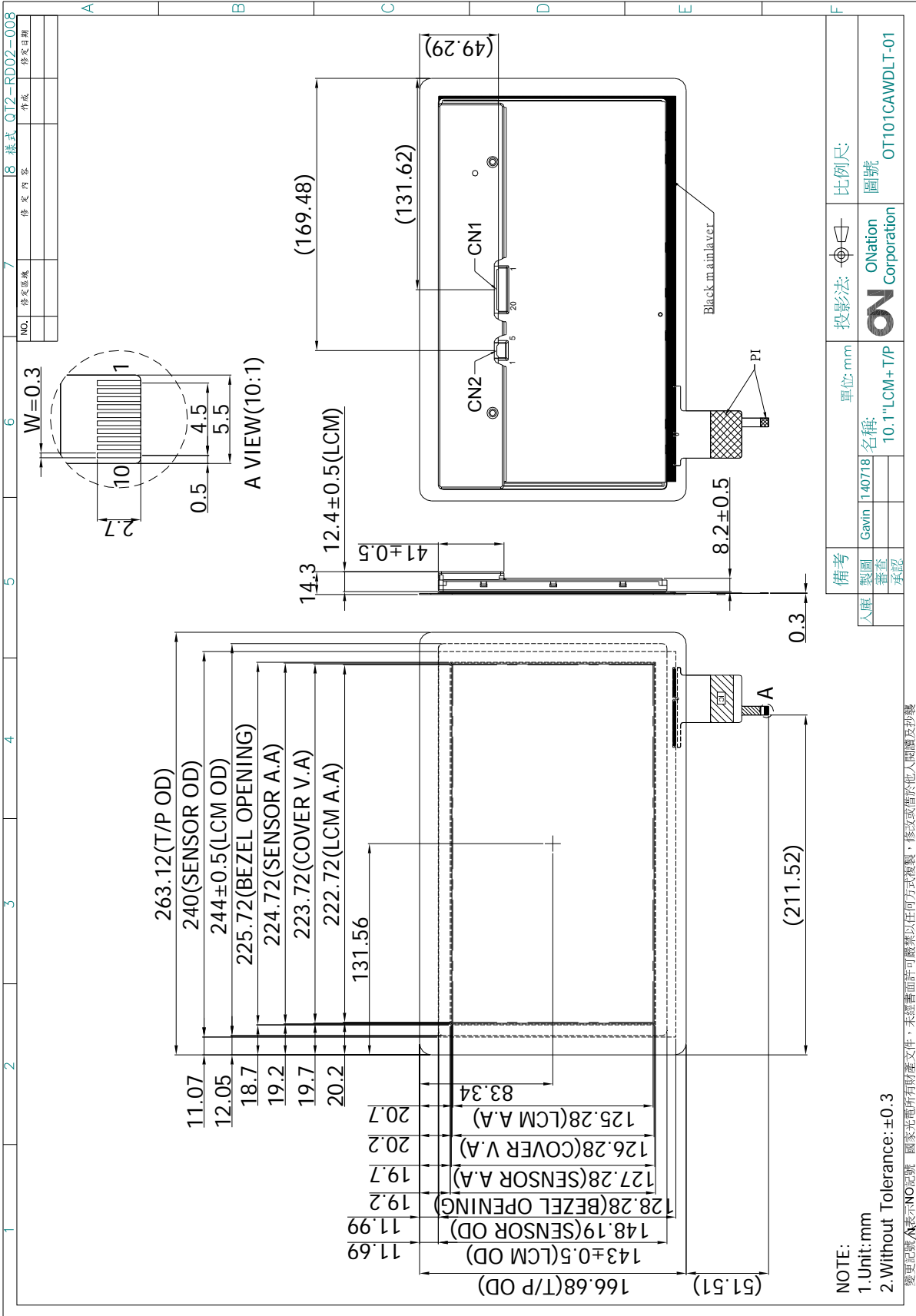


## 2.MECHANICAL SPECIFICATIONS

(1)	Number Of Dots (Dots)	1024(R.G.B) X 600
(2)	Module Size(mm)	263.12(H) X 166.68(V) X14.3(D) (**)
(3)	Active Area(mm)	222.72(H) X 125.28(V)
(4)	Pixel Pitch(mm)	0.2175 (H) X 0.2088(V)
(5)	LCD / Polarizer Model	TFT , Transmissive, Normally/White
(6)	Backlight Color	White, LED
(7)	Viewing Direction	Wide View Angle Horizontal : Right side 80°(typ.), Left side 80°(typ.) Vertical : Up side 80°(typ.), Down side 80°(typ.)
(8)	Gray Scale Inversion Direction	NO GSI
(9)	Electrical Interface	LVDS Interface
(10)	Color Configuration	R.G.B Stripe
(11)	Module Weight(g)	TBD

(\*\* )Module include PCB and component.

### 3. OUTLINE DIMENSIONS



## 4. INTERFACE PIN CONNECTION

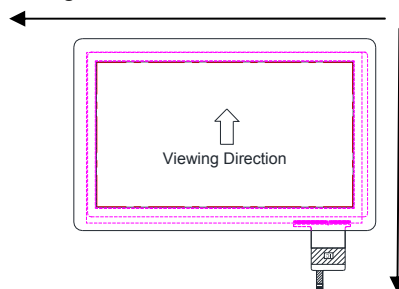
### 4.1 LCM PANEL DRIVING SECTION

CN1:STM MSB240420HD or equivalent

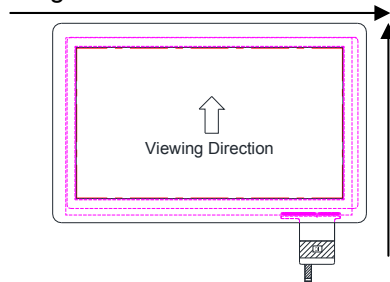
PIN NO.	SIGNAL	FUNCTION	REMARK
1	VCC	Digital Power	
2	VCC	Digital Power	
3	GND	Ground	
4	REV	Reverse Scan Selection(H: right to left ,down to up ; L : left to right , up to down)	Note1
5	RxIN0-	Differential Clock Input,CH0(Negative)	
6	RxIN0+	Differential Clock Input,CH0(Positive)	
7	GND	Ground	
8	RxIN1-	Differential Clock Input,CH1(Negative)	
9	RxIN1+	Differential Clock Input,CH1(Positive)	
10	GND	Ground	
11	RxIN2-	Differential Clock Input,CH2(Negative)	
12	RxIN2+	Differential Clock Input,CH2(Positive)	
13	GND	Ground	
14	RxCLKIN-	Differential Clock Input (Negative)	
15	RxCLKIN+	Differential Clock Input (Positive)	
16	GND	Ground	
17	RxIN3-	Differential Clock Input,CH3(Negative)	
18	RxIN3+	Differential Clock Input,CH3(Positive)	
19	SEL68	6/8 bits LVDS data input selection(H:8bit;L/Floating:6bit)	
20	NC	No connection	

Note1:

Rev=High, Viewing Direction:



Rev=Low, Viewing Direction:



#### 4.2 BACKLIGHT PANEL DRIVING SECTION

CN2:STM MSB24038P5A or equivalent

PIN NO.	SIGNAL	FUNCTION
1	VLED	Power Supply for LED Driver Circuit(12V)
2	GND	Ground
3	EN	3.3V(TYP.)
4	PWM	3.3V(TYP.)
5	NC	No connection

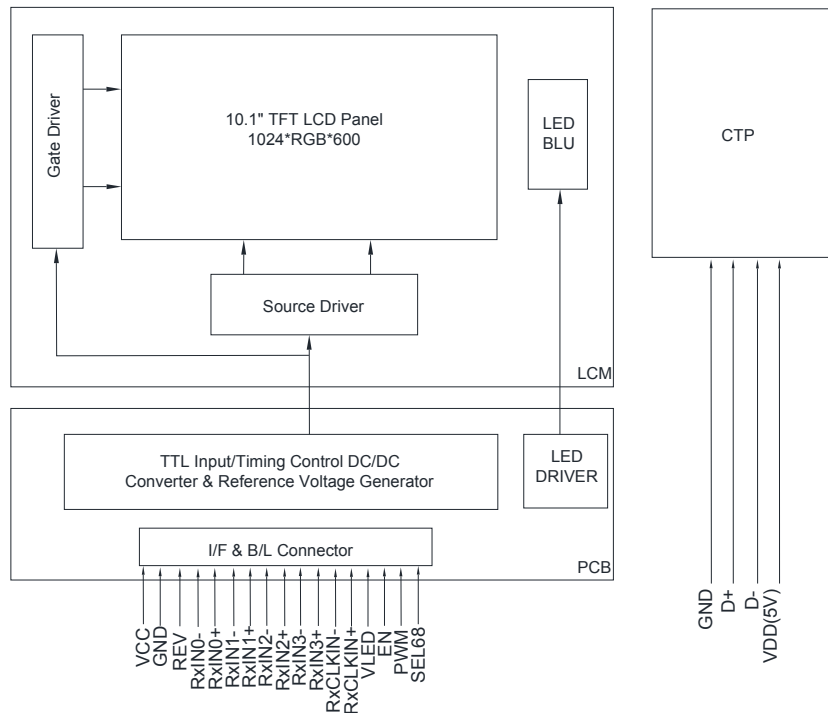
#### 4.3 TOUCH PANEL PIN ASSIGNMENT

PITCH=0.5mm,10PIN

PIN NO.	SIGNAL	PIN NO	SIGNAL	PIN NO	SIGNAL
1	NC	5	NC	9	D-
2	NC	6	NC	10	VDD(5V)
3	NC	7	GND		
4	NC	8	D+		



### 5. BLOCK DIAGRAM



### 6. ABSOLUTE MAXIMUM RATINGS

#### 6.1 ELECTRICAL ABSOLUTE MAXIMUM RATINGS

ITEM	SYMBOL	MIN.	MAX.	UNIT	REMARK
Supply Voltage	VCC	-0.3	+3.7	V	
	VLED	-0.3	24	V	
PWM Dimming Voltage	VPWM	0.8	5.0	V	
Enable	VEN	0	5	V	

Note: The absolute maximum rating values of this product not allowed to be exceeded at any times. Should be module be used with any of absolute maximum ratings exceeded. The characteristics of the module may not be recovered, or in an extreme case, the module may be permanently destroyed.

#### 6.2 ENVIRONMENTAL ABSOLUTE MAXIMUM RATINGS

ITEM	OPERATING		STORAGE		REMARK
	MIN.	MAX.	MIN.	MAX.	
Ambient Temperature(°C)	-10	60	-20	70	Note 1,2
Humidity(% RH)	TBD		TBD		Without condensation

Note 1 : The response time will become lower when operated at low temperature.

Note 2 : Background color changes slightly depending on ambient temperature.

## 7. ELECTRICAL CHARACTERISTICS

### 7.1 ELECTRICAL CHARACTERISTICS OF LCD

Ta=25°C

ITEM	SYMBOL	MIN.	TYP.	MAX.	UNIT	REMARK
Power Voltage For LCD	VCC	3.0	3.3	3.6	V	
	ICC	-	-	191	mA	Note 1
REV	VH	2.0	3.3	5.0	V	
	VL	-	-	0.8	V	

Note 1 : Test condition : VCC=3.3V ; Test Pattern : All Black.

### 7.2 BACKLIGHT UNITS

Ta=25°C

ITEM	SYMBOL	MIN.	TYP.	MAX.	UNIT	REMARK
LED Driving Voltage	VLED	8	12	16	V	
	ILED	-	-	543	mA	
Brightness Control	VIH	2	3.3	5	V	
	VIL	0	-	0.8	V	
PWM Frequency	FPWM	100	-	1K	Hz	
Duty	-	1	-	100	%	
LED Life Time	-	50000	-	-	Hr	Note1

Note1: The LED life time define as the estimated time to 50% degradation of the initial value.

## 8. OPTICAL CHARACTERISTICS

Ta=25°C

ITEM	SYMBOL	CONDITIONS	MIN.	TYP.	MAX.	UNIT	REMARK
Contrast Ratio	CR	Viewing Normal Angle $\Theta_x = \Theta_y = 0^\circ$	400	500	-	-	Note 1
Response Time	TR+TF		-	16	20	ms	Note 2
Chromaticity	White		Wx	0.252	0.302	0.352	-
		Wy	0.288	0.338	0.388	-	
Viewing Angle	Hor.	$\theta_{x+}$	70	80	-	Deg.	Note 3
		$\theta_{x-}$	70	80	-		
	Ver.	$\theta_{y+}$	70	80	-		
		$\theta_{y-}$	70	80	-		
Luminance	L	PWM=100%	320	400	-	cd/m <sup>2</sup>	
Luminance Uniformity	YU	PWM=100%	75	80	-	%	Note 5

Note 1 : Definition of Contrast Ratio (CR) :

The contrast ratio can be calculated by the following expression.

$$\text{Contrast Ratio (CR)} = L_{63}/L_0$$

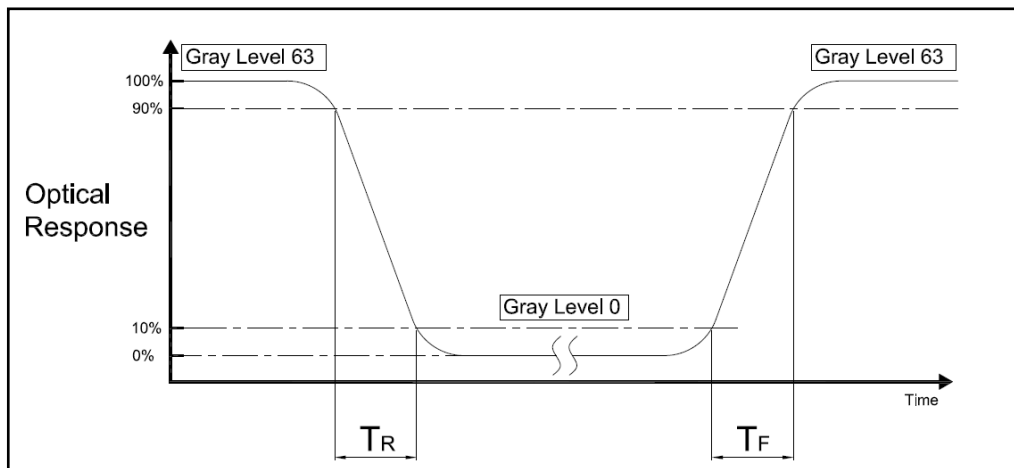
L63 : Luminance of gray level 63

L0 : Luminance of gray level 0

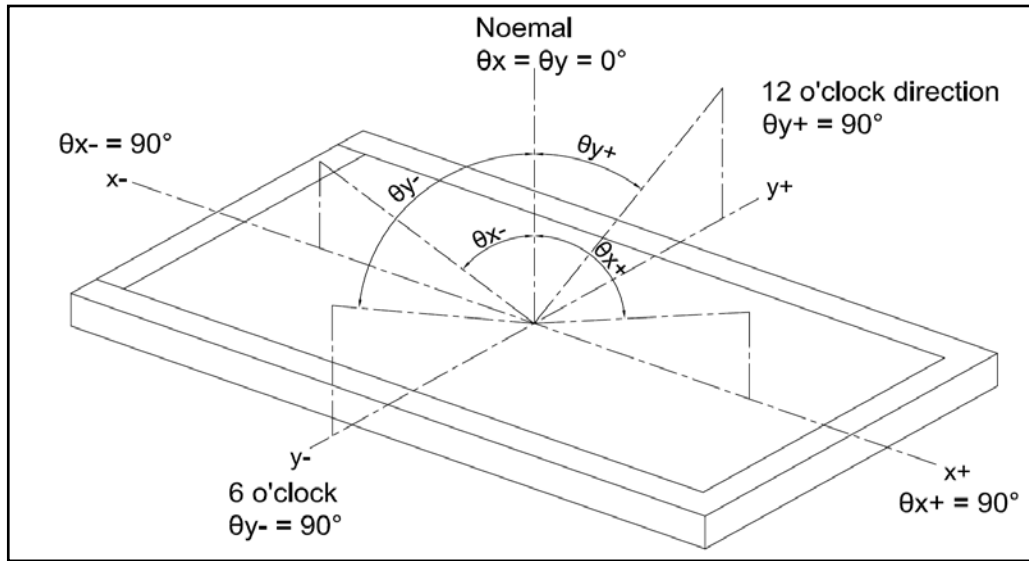
$$CR = CR(5)$$

CR(X) is corresponding to the Contrast Ratio of the point X at Figure in Note 5

Note 2 : Definition of Response Time (TR.TF)

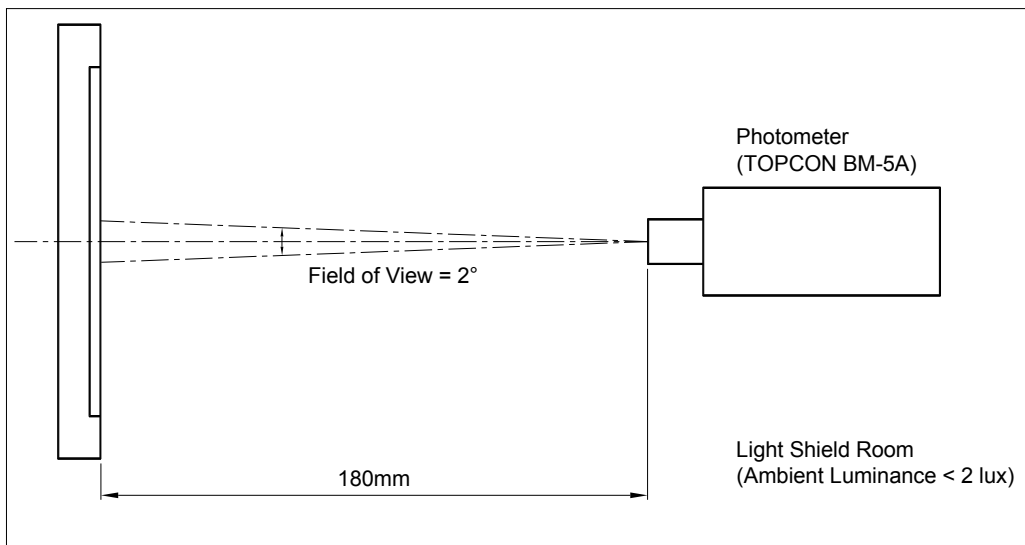


Note 3 : Definition of Viewing Angle

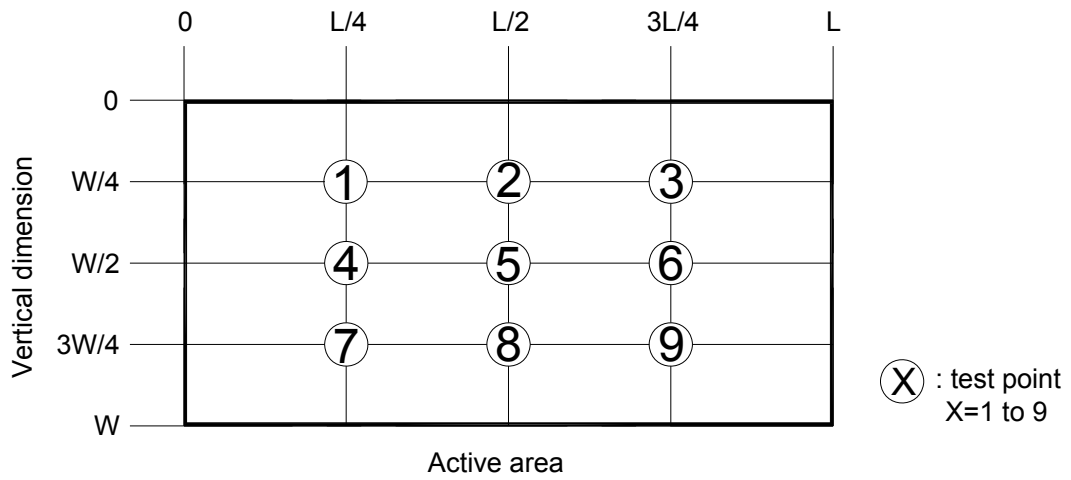


Note 4 : Measurement Set-Up:

The LCD module should be stabilized at a given temperature for 20 minutes to avoid abrupt temperature change during measuring. In order stabilize the luminance, the measurement should be executed after lighting Backlight for 20 minutes in a windless room.



Note 5 :



$$\left( 1 - \frac{\text{MAX Luminance} - \text{Average Luminance}}{\text{Average Luminance}} \right) \times 100\% \geq 75\%$$

## 9. PROJECTIVE CAPACITIVE TOUCH PANEL SPECIFICATIONS

### 9.1 TYPE :

Projected capacitive Touch Panel  
input Mode : Stylus for PCAP or Finger available.

### 9.2 STRUCTURE :

G+G

### 9.3 IC MODEL :

9.3.1 ELAN IC-EKTH3374

9.3.2 IC on FPC

9.3.3 Interface : USB

Regards the IC specification, please refer the IC data sheet from supplier.

### 9.4 ELECTRICAL CHARACTERISTICS :

9.4.1 The Max rated Voltage DC 5V max

9.4.2 linearity : Use ELAN Test Software

9.4.3 Response Time : TBD

### 9.5 MECHANICAL CHARACTERISTICS :

9.5.1 Input Mode : Stylus or Finger

9.5.2 Surface hardness :

Decoration Film : 6H

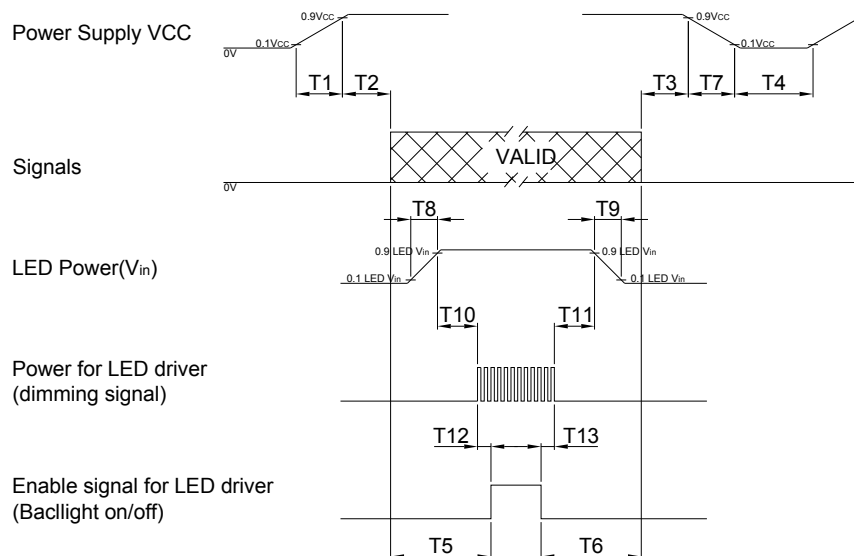
### 9.6 OPTICAL CHARACTERISTICS :

9.6.1 Transparency :  $\geq 85\%$

## 10. TIMING SPECIFICATIONS

### 10.1 POWER ON/OFF SEQUENCE

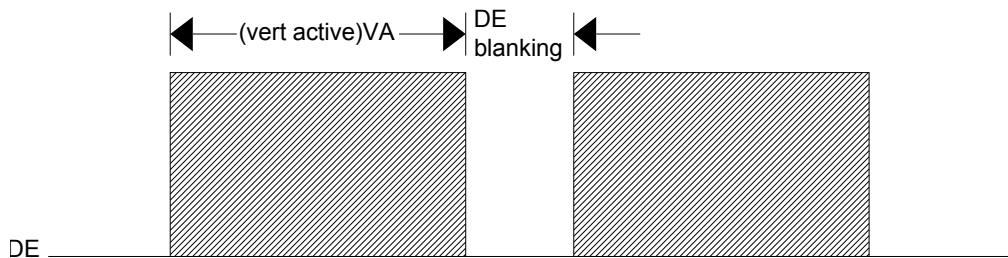
ITEM	SYMBOL	MIN.	TYP.	MAX.	UNIT	REMARK
VCC rising Time from 10% to 90%	T1	0.5	-	10	ms	
Delay from VCC to valid data at power ON	T2	0	-	50	ms	
Delay from valid data OFF to VCC OFF at power OFF	T3	0	-	50	ms	
VCC OFF time for Windows restart	T4	500	-	-	ms	
Delay from valid data to B/L enable at power ON	T5	200	-	-	ms	
Delay from valid data off to B/L disable at power OFF	T6	200	-	-	ms	
VCC falling time from 90% to 10%	T7	0	-	10	ms	
LED Vin rising time from 10% to 90%	T8	0.5	-	10	ms	
LED Vin falling time from 90% to 10%	T9	0.5	-	10	ms	
Delay from LED driver Vin rising time 90% to PWM ON	T10	0	-	10	ms	
Delay from PWM Off to LED Driver Vin falling time 10%,Must Keep rule	T11	0	-	-	ms	
Delay from PWM ON to B/L Enable ON, Must Keep rule	T12	0	-	-	ms	
Delay from B/L Enable Off to PWM Off	T13	0	-	-	ms	



### 10.2 TIMING CHARACTERISTICS

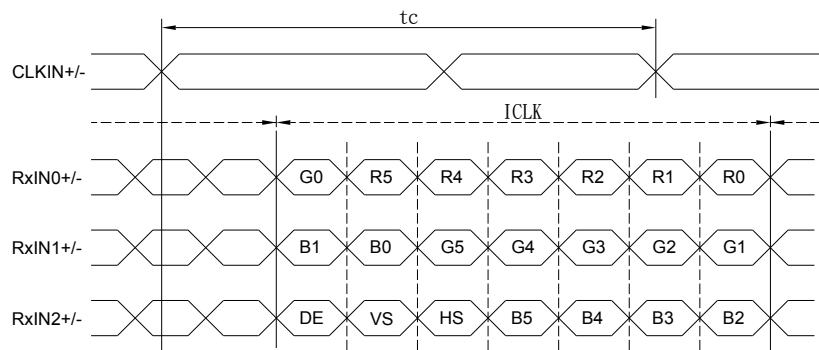
Synchronization Method : DE only

ITEM	SYMBOL	MIN.	TYP.	MAX.	UNIT	REMARK
LVDS Clock Frequency	fdck	45	51.2	57	MHz	
H Total Time	Thp	1324	1344	1364	clocks	
H Active Time	HA	1024	1024	1024	clocks	
H Blanking Time	THBLANK	300	320	340	clocks	
V Total Time	TVP	625	635	645	lines	
V Active Time	VA	600	600	600	lines	
V Blanking Time	TVBLANK	25	35	45	lines	
V Frequency	fv	55	60	65	Hz	

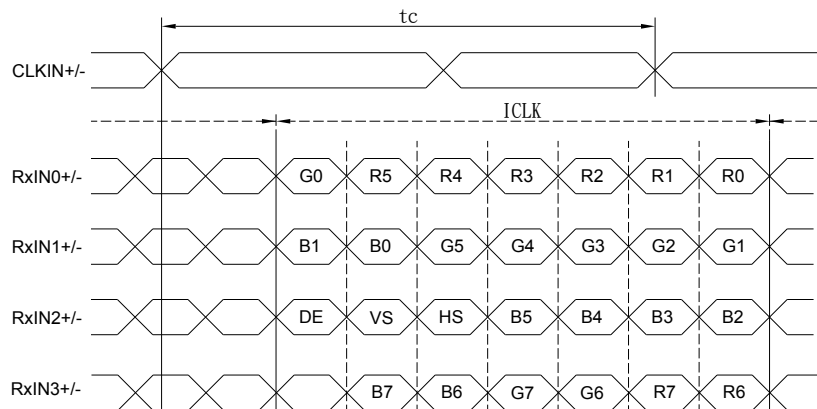


### 10.3 TIMING DIAGRAM OF INTERFACE SIGNAL

6bit LVDS input



8bit LVDS input





## 11. RELIABILITY TEST

ENVIRONMENTAL TEST				
NO.	ITEM	CONDITIONS	TIME PERIOD	REMARK
1	High Temperature Storage	(70°C)	TBD	
2	Low Temperature Storage	(-20°C)	TBD	
3	High Temperature Operation	(60°C)	TBD	
4	Low Temperature Operation	(-10°C)	TBD	
5	High Temperature Humidity Storage	TBD	TBD	

Note 1: a. The module should work properly.

b. Before and after function test, The difference of consumptive current. Should be within 10%

Note 2: a. The module should work properly.

b. The module won't be deformative, Color changeable or broken.

c. The modules can't be apart.

Note 3: a. Before cosmetic and function test, The product must have enough recovery time, At least 2 hours at room temperature.

## 11.1 VIBRATION TEST :

### 11.1.1 STATE LABORATORY ENVIRONMENT :

Room temperature :  $25\pm 3^{\circ}\text{C}$   
Relative humidity :  $55\pm 20\% \text{RH}$

### 11.1.2 TEST METHOD / SPECIFICATION :

Sample Status : Non-packaged single state  
Waveform : Sine  
Frequency : 10~55~10Hz  
Full amplitude : 1.5mm  
Vibration direction : X,Y,Z Axis (3 Axial)  
Test time : Each 2Hour / X,Y,Z Axis , Altogether 6 Hour

## 11.2 MECHANICAL SHOCK TEST :

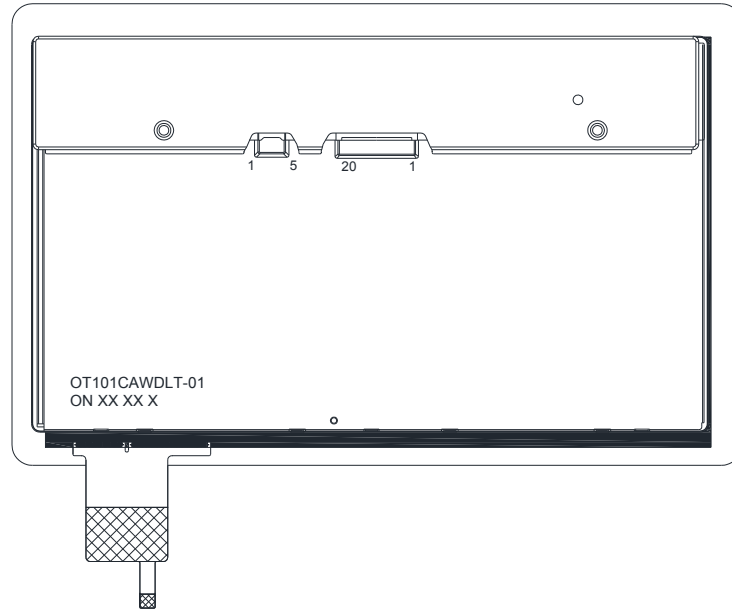
### 11.2.1 STATE LABORATORY ENVIRONMENT :

Room temperature :  $24\pm 3^{\circ}\text{C}$   
Relative humidity :  $55\pm 20\% \text{RH}$

### 11.2.2 TEST METHOD / SPECIFICATION :

Sample Status : Non-packaged single state  
Waveform : Half-sine  
Acceleration : 100G  
Shock Time : 6ms  
Impact direction : 6 Directions ( $\pm X$ ,  $\pm Y$ ,  $\pm Z$  axes)  
Number of shocks : Each direction 3 Secondary , Altogether 18 Secondary

## 12.MODEL NUMBER SYSTEM



(a) MODEL NAME : OT101CAWDLT-01

(b) LOT NO : XX XX X

CODE	MEANING	DESCRIPTION
<u>XX</u>	Year	2013=13, 2014=14, 2015=15, ....
<u>XX</u>	Month	01,02,03,04,05,06,07,08,09,10,11,12
<u>X</u>	Week	1,2,3,4,5,6

### 13. LCM INSPECTION STANDARD

Inspection specifications refer ONation Corporation LCM INSPECTION STANDARD Document.  
Document Number : QT3-QC-A-I003

### 14. PACKAGE INFORMATION

LCM MODEL	LCM QTY. IN THE BOX	INNER BOX SIZE(mm)	WEIGHT	REMARK
OT101CAWDLT-01	TBD	TBD	TBD	

## 15.PRECAUTIONS FOR USE

### 15.1 SAFETY

- (1) Do not swallow any liquid crystal, even if there is no proof that liquid crystal is poisonous.
- (2) If the LCD panel breaks, be careful not to get liquid crystal to touch your skin.
- (3) If skin is exposed to liquid crystal, wash the area thoroughly with alcohol or soap.

### 15.2 STORAGE CONDITIONS

- (1) Store the panel or module in a dark place where the temperature is  $23\pm 5^{\circ}\text{C}$  and the humidity is below  $50\pm 20\%\text{RH}$ .
- (2) Store in anti-static electricity container.
- (3) Store in clean environment, free from dust, active gas, and solvent.
- (4) Do not place the module near organics solvents or corrosive gases.
- (5) Do not crush, shake, or jolt the module.

### 15.3 HANDLING PRECAUTIONS

- (1) Avoid static electricity which can damage the CMOS LSI.
- (2) The polarizing plate of the display is very fragile. So, please handle it very carefully.
- (3) Do not give external shock.
- (4) Do not apply excessive force on the surface.
- (5) Do not wipe the polarizing plate with a dry cloth, as it may easily scratch the Surface of plate.
- (6) Do not use ketonics solvent & Aromatic solvent, use with a soft cloth soaked with a cleaning naphtha solvent.
- (7) Do not operate it above the absolute maximum rating.
- (8) Do not remove the panel or frame from the module.
- (9) When the module is assembled, it should be attached to the system firmly, Be careful not to twist and bend the module.
- (10) Wipe off water droplets or oil immediately . If you leave the droplets for a long time, staining and discoloration may occur.
- (11) If the liquid crystal material leaks from the panel, it should be kept away from the eyes or mouth. In case of contact with hands, legs or clothes, it must be washed away thoroughly with soap.

### 15.4 WARRANTY

- (1) Acceptance inspection period  
The period is within one month after the arrival of contracted commodity at the buyer's factory site.
- (2) Applicable warrant period  
The period is within 12 months since the date of shipping out under normal using and storage conditions.