


# TFT-DISPLAY DATASHEET

Sharp  
Model: LQ060B3DW02

## BRIEF SPEC.:

Main Feature	Wide Temperature Bar Display Wide Viewing Angle
Active Screen Area	149.76 x 24.96 [mm]
Diagonal   Format	6.0"   6:1
Resolution	768 x 128
Colors	262K (6bit),
Backlight	LED, Black
Brightness	240 cd/m <sup>2</sup>
LED Life Time	50,000h (Typ.)
Interface	TTL
Viewing Angle	80/80 L/R 80/80 U/D
Touchscreen	No
Power Supply	3,3V (Typ.)
Module Outline	173.8 x 42.1 x 7.6[mm]
Operation Temperature	-30... +85 °C
Storage Temperature	-30... +85 °C
Surface Treatment	Anti Glare Hard coating 3H

PREPARED BY : DATE	 LIQUID CRYSTAL DISPLAY GROUP SHARP CORPORATION <b>SPECIFICATION</b>	SPEC No. LD-27402A
APPROVED BY : DATE		FILE No. LD-27402A
		ISSUE : 06-Apr-15 PAGE : 19pages
		APPLICABLE GROUP DISPLAY DEVICE GROUP

DEVICE SPECIFICATION FOR  
**TFT-LCD Module**  
 MODEL No.  
**LQ060B3DW02**

These parts have corresponded with the RoHS directive.

CUSTOMER'S APPROVAL  
 BY \_\_\_\_\_

BY   
 T. Ohnishi

DEVELOPMENT DEPARTMENT III  
 DISPLAY DEVICE UNIT III  
 DISPLAY DEVICE BUSINESS DIVISION II  
 SHARP CORPORATION



- Contents -

No.		page
	NOTICE .....	1
1	Application .....	2
2	Overview .....	2
3	Mechanical Specifications .....	2
4	Input Terminals .....	3
5	Absolute Maximum Ratings .....	4
6	Electrical Characteristics .....	5
7	Timing characteristics of input signals .....	7
8	Input Signals, Basic Display Colors and Gray Scale of Each Color ..	9
9	Optical Characteristics .....	10
10	Handling Precautions .....	12
11	Packing form .....	13
12	Reliability test items .....	13
13	Others .....	14
14	Storage conditions .....	15
Fig.1	Outline Dimensions .....	16
Fig.3	Packing form figure .....	17

## &lt;NOTICE&gt;

This specification is the proprietary of SHARP and is copyrighted, with all rights reserved. Under the copyright laws, no part of this publication may be reproduced or transmitted in any form or by any means, electronic or mechanical for any purpose, in whole or in part, without the express written permission of SHARP. Express written permission is also required before any use of this publication may be made by a third party.

The application circuit examples in this publication are provided to explain the representative applications of SHARP's devices and are not intended to guarantee any circuit design or permit any industrial property right or other rights to be executed. SHARP takes no responsibility for any problems related to any industrial property right or a third party resulting from the use of SHARP's devices, except for those resulting directly from device manufacturing processes.

In the absence of confirmation by device specification sheets, SHARP takes no responsibility for any defects that occur in equipment using any of SHARP's devices, shown in catalogs, data books, etc. Contact SHARP in order to obtain the latest device specification sheets before using any SHARP's device.

Observe the following points when using any device in this publication. SHARP takes no responsibility for damage caused by improper use of the devices.

The devices in this publication are designed for use in general electronic equipment designs, such as:

- home electrical appliance

The appropriate design measures should be taken to ensure reliability and safety when SHARP's devices are used for equipment such as:

- Transportation control and safety equipment(i.e. aircraft, trains, automobiles, etc.)
- Traffic signals
- Alarm equipment
- Gas leakage sensor breakers
- Various safety devices etc.

SHARP's devices shall not be used for equipment that requires extremely high level of reliability, such as:

- Military and space applications
- Medical equipment for life support
- Nuclear power control equipment

Contact a SHARP representative, in advance, when intending to use SHARP's devices for any "specific" applications other than those recommended by SHARP.

Contact and consult with a SHARP representative if there are any questions about the contents of this publication.

## 1. Application

This spec sheet applies to the color TFT-LCD module LQ060B3DW02.

## 2. Overview

This module is a color active matrix LCD module incorporating amorphous silicon TFT (Thin Film Transistor).

Graphics and texts can be displayed on a 768×128×RGB dots panel with 262144 colors by supplying 18bit data signal (6bit×RGB), four timing signals ,DC supply voltages for TFT-LCD panel driving and supply voltage for backlight.

LED drive circuit for backlight is not built in this module.

## 3. Mechanical Specifications

Parameter	technical literatures	Unit	Remarks
Display size	15 ( 5.98inch ) Diagonal	cm	
Active area	149.76 ( H)×24.96 ( V)	mm	
Pixel format	768 ( H)×128 ( V) (1pixel=R+G+B dot)	pixel	
Pixel pitch	0.195 ( H)×0.195 ( V)	mm	
Pixel configuration	R,G,B horizontal stripe		
Display mode	Normally black		
Unit outline dimensions	173.8 ( W)×42.1 ( H)×7.6(D)	mm	【Note3-1】
Mass	76	g	
Surface treatment	Anti-glare and hard-coating 3H		

【Note3-1】 Protrusions such as Guide pins ,FPC components and FPC I/F part are not included.

Outline dimensions are shown in Fig.1.

## 4. Input Terminals

### 4-1. TFT-LCD panel driving

CN1 Corresponding connectors : FH28D-40S-0.5H (HIROSE) 【Note4-1】

Pin	Symbol	Function	Polarity	Remark
1	STYPE	-		【Note4-2】
2	WPB	-		【Note4-2】
3	SDI	-		【Note4-2】
4	SDO	-		【Note4-2】
5	SDI_S	-		【Note4-2】
6	SCK	-		【Note4-2】
7	CSB	-		【Note4-2】
8	SPIVCC	-		【Note4-2】
9	DEN	Display Enable		【Note4-3】
10	GND	GND		
11	DOTCLK	Dot-clock signal		
12	GND	GND		
13	Hsync	Horizontal synchronous signal	Negative	
14	Vsync	Vertical synchronous signal	Negative	
15	GND	GND		
16	R0	RED data signal (LSB)		
17	R1	RED data signal		
18	R2	RED data signal		
19	R3	RED data signal		
20	R4	RED data signal		
21	R5	RED data signal (MSB)		
22	GND	GND		
23	G0	GREEN data signal (LSB)		
24	G1	GREEN data signal		
25	G2	GREEN data signal		
26	G3	GREEN data signal		
27	G4	GREEN data signal		
28	G5	GREEN data signal (MSB)		
29	GND	GND		
30	B0	BLUE data signal (LSB)		
31	B1	BLUE data signal		
32	B2	BLUE data signal		
33	B3	BLUE data signal		
34	B4	BLUE data signal		
35	B5	BLUE data signal (MSB)		
36	GND	GND		
37	Vcc	+3.3V Power Supply		
38	Vcc	+3.3V Power Supply		
39	LED_C	LED Cathode		
40	LED_A	LED Anode		

【Note4-1】 Please do not use it besides corresponding connector.

【Note4-2】 Please do not use everything from 1pin to 8pin.

【Note4-3】 Please use it with GND when you do not input DEN signal.

## 5. Absolute Maximum Ratings

Parameter	Symbol	Condition	Ratings		Unit	Remarks
			Min.	Max.		
Supply voltage	Vcc	Ta=25°C	0	+4.0	V	
Input voltage	VI	Ta=25°C	-0.3	+3.6	V	【Note5-1】
LED forward voltage	ILED	Ta=25°C	-	80	mA	【Note5-2】
LED reverse voltage	VLED_R	Ta=25°C	-	14.4	V	
Storage temperature	Tstg	—	-30	+85		【Note5-3】
Operating temperature	Tope	—	-30	+85		【Note5-4】

【Note5-1】 (DEN), DOTCLK Hsync, Vsync, R0 ~ R5, G0 ~ G5, B0 ~ B5

【Note5-2】 LED\_A to LED\_C

【Note5-3】 Humidity : 95%RH Max.( Ta 40 ) Note static electricity.

Maximum wet-bulb temperature at 39 or less. (Ta > 40 ) No condensation.

There is a possibility of causing deterioration in the irregularity and others of the screen and the display fineness though the liquid crystal module doesn't arrive at destruction when using it at 60 ~ +85 .

【Note5-4】 In the operating temperature item, the low temperature side is the ambient temperature regulations.

The high temperature side is the panel surface (Active Area) temperature regulations.



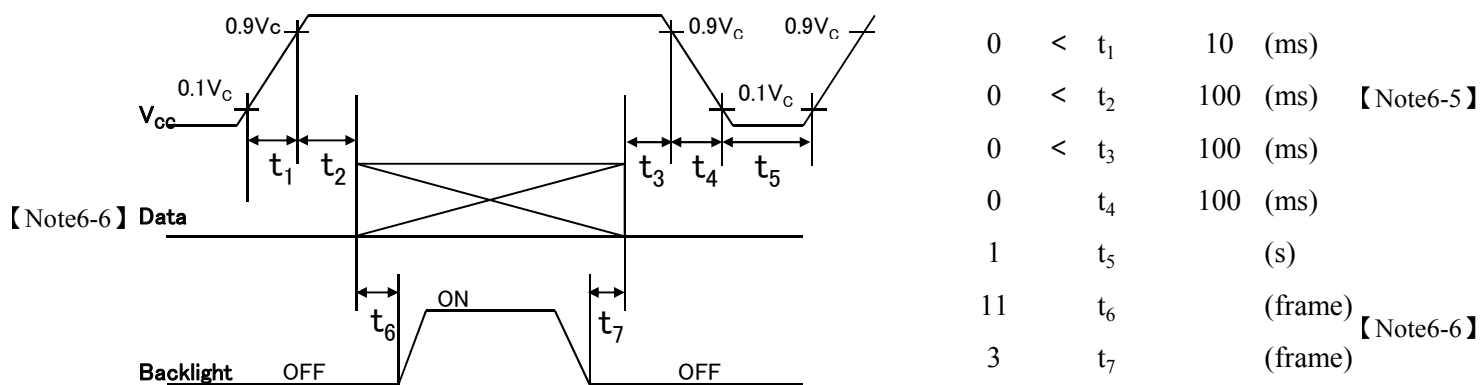
## 6. Electrical Characteristics

### 6-1. TFT-LCD panel driving

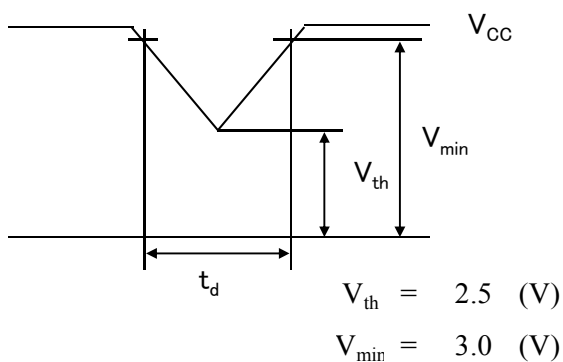
T<sub>a</sub> = +25°C

Parameter	Symbol	Condition	Min.	Typ.	Max.	Unit	Remark
Supply voltage	V <sub>cc</sub>	-	+3.0	+3.3	+3.6	V	【Note6-1】 【Note6-2】
Current dissipation	I <sub>cc</sub>	V <sub>cc</sub> =+3.3V	-	45.0	70.0	mA	【Note6-3】
Logic input voltage	V <sub>IL</sub>		0	-	0.3V <sub>cc</sub>	V	【Note6-3】
	V <sub>IH</sub>		0.7V <sub>cc</sub>	-	V <sub>cc</sub>	V	
Logic input leak current	I <sub>OL</sub>	V <sub>I</sub> =0V	-1	-	1	μA	【Note6-3】
	I <sub>OH</sub>	V <sub>I</sub> =+3.3V	-1	-	1	μA	

【Note6-1】 On-off conditions for supply voltage.



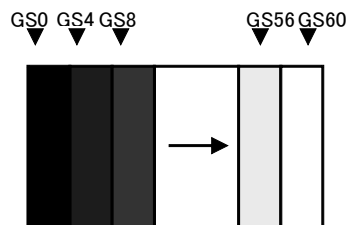
【Note6-2】 V<sub>cc</sub>-dip conditions



- At V<sub>th</sub> < V<sub>cc</sub> ≤ V<sub>min</sub>  
t<sub>d</sub> ≤ 10 (ms)  
LCD becomes to a normal display, after V<sub>cc</sub> returns to V<sub>min</sub> in the above-mentioned.
- At V<sub>cc</sub> < V<sub>th</sub>  
V<sub>cc</sub>-dip conditions should also follow the On-off conditions for supply voltage

【Note6-3】 Typical current situation : 16-gray-bar pattern

( V<sub>cc</sub>=+3.3V、f<sub>ck</sub> = MHz、T<sub>a</sub>=25 )



【Note6-4】 (DEN), DOTCLK Hsync, Vsync, R0 ~ R5, G0 ~ G5, B0 ~ B5

【Note6-5】 Every signal is CMOS input, Hi-Z is prohibited when V<sub>cc</sub> is on level  
Input (DEN), DOTCLK, Hsync, Vsync, and R0 ~ R5, G0 ~ G5, B0 ~ B5  
after becomes regular amplitude and frequency.

【Note6-6】 It is recommended to consider some timing difference between CMOS input and Backlight input as shown above.  
If the Backlight lights on before LCD starting, or if the Backlight is kept on after LCD stopping, the screen may look an abnormal image may be displayed. This is caused by variation in output signal from timing generator at CMOS input

## 6-2. Backlight Driving

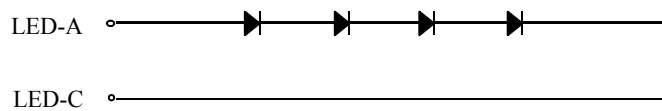
The backlight system is top-view type with white-LED.

The characteristics of LED are shown in the following table.

$T_a = +25^\circ\text{C}$

Parameter	Symbol	Min.	Typ.	Max.	Unit	Remark
LED Voltage	$V_L$	-	+12.8	+14.4	V	$I_L = 60\text{mA}$
LED Current Range	$I_L$	-	60	80	mA	
Number of Circuit channel		-	1	-		【Note6-7】
LED Power Consumption	$W_L$	-	0.77	-	W	【Note6-8】
LED Life time	$L_L$	-	50,000	-	h	【Note6-9】

【Note6-7】 The LED backlight is composed of 1 string which 4 LEDs are connected with the series.  
The below figure shows the circuit chart.



【Note6-8】 Calculated value for reference  $(I_L \times V_L \times 1 \text{ channel})$

【Note6-9】 LED life time is defined as the time when Brightness becomes 50% of the original value.  
Under the condition of  $T_a = 25$  and  $I_L = 60\text{mA}$ , and continuous lighting.

## 7. Timing characteristics of input signals

### 7-1. Timing characteristics

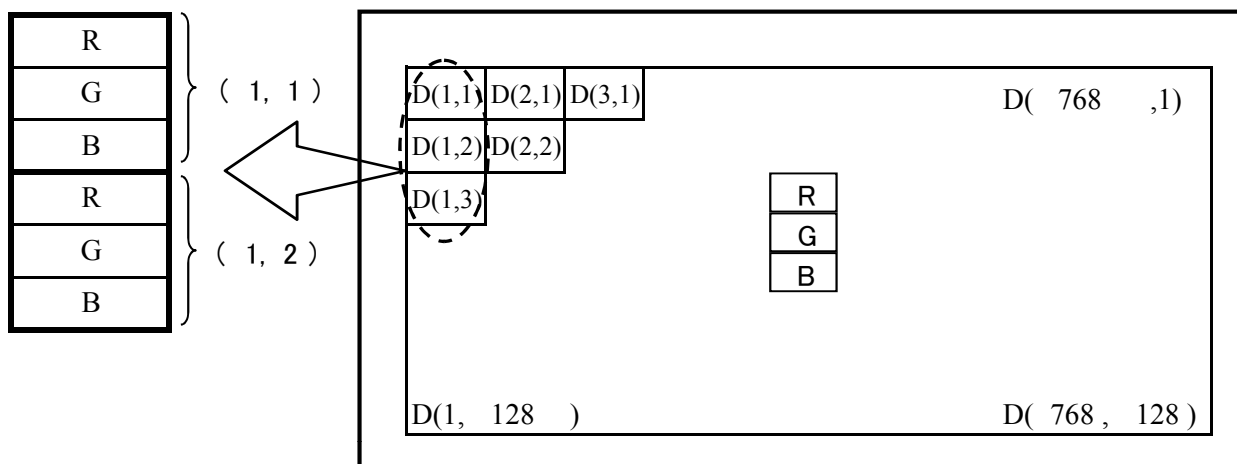
Parameter	Symbol	Min.	Typ.	Max.	Unit	Remark	
DOTCLK	Frequency	1/Tc(=fck)	9.5	10	10.5	MHz	
	"High" time	Tch	16	-	-	ns	
	"Low" time	Tcl	16	-	-	ns	
Data	Setup time	Tds	8	-	-	ns	
	Hold time	Tdh	8	-	-	ns	
Hsync	Period	TH	-	105.6	-	μs	
			1002	1056	1108	clock	
	Pulse width	THp	5	-	-	clock	
	Back porch + THp	THb	-	215(fixed)	-	clock	
Vsync	Period	TV	153	158	163	line	【Note7-1】
	Pulse width	TVp	5	-	-	line	
	Back porch	TVb	-	15(fixed)	-	line	
( DEN )	Pulse width	Tep	768	768	768	clock	
Phase difference between Hsync and DEN	THe	100	-	215	clock	【Note7-2】	
Phase difference between Hsync and DOTCLK	THc	5	-	-	ns		
Phase difference between Hsync and Vsync	TVh	0	-	50	clock		
Horizontal displayed period	THd	768	768	768	clock		
Vertical displayed period	TVd	128	128	128	line		

【Note7-1】 In case of using the long vertical period, the deterioration of display quality, flicker etc. may occur.

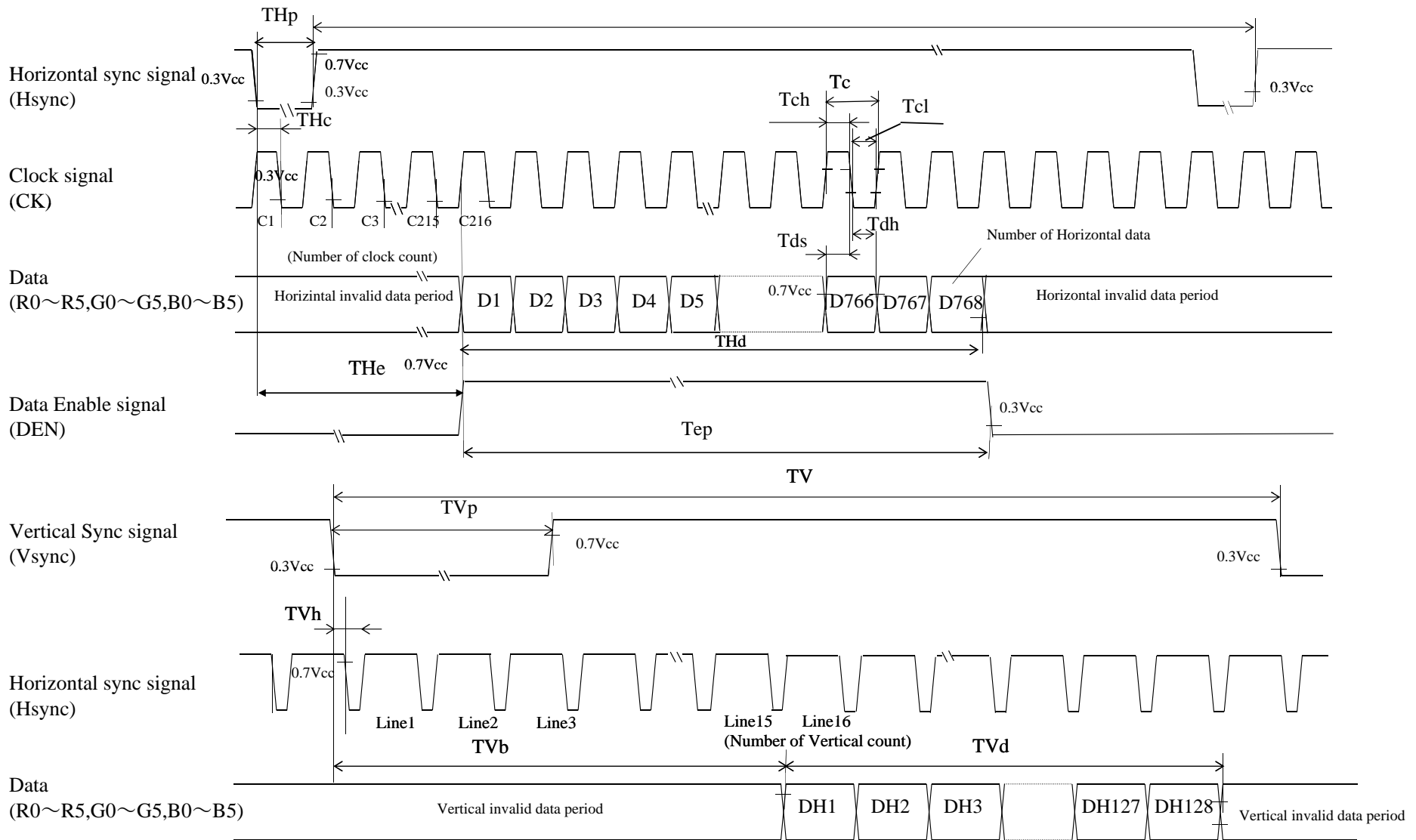
【Note7-2】 In HV mode, this LCD module takes the first data into 216th ck in the horizontal period.

However, in DEN mode, DEN becomes effective by priority.

### 7-2. Input Data Signals and Display Position on the screen



7-3. Input signal waveforms



## 8. Input Signals, Basic Display Colors and Gray Scale of Each Color

### 8-1. 6 bit input

Colors & Gray scale	Data signal																			
	GrayScale	R0	R1	R2	R3	R4	R5	G0	G1	G2	G3	G4	G5	B0	B1	B2	B3	B4	B5	
Basic Color	Black	—	0	0	0	0	0	0	0	0	0	0	0	0	0	0	0	0	0	0
	Blue	—	0	0	0	0	0	0	0	0	0	0	0	1	1	1	1	1	1	1
	Green	—	0	0	0	0	0	0	1	1	1	1	1	1	0	0	0	0	0	0
	Cyan	—	0	0	0	0	0	0	1	1	1	1	1	1	1	1	1	1	1	1
	Red	—	1	1	1	1	1	1	0	0	0	0	0	0	0	0	0	0	0	0
	Magenta	—	1	1	1	1	1	1	0	0	0	0	0	0	1	1	1	1	1	1
	Yellow	—	1	1	1	1	1	1	1	1	1	1	1	1	0	0	0	0	0	0
	White	—	1	1	1	1	1	1	1	1	1	1	1	1	1	1	1	1	1	1
Gray Scale of Red	Black	GS0	0	0	0	0	0	0	0	0	0	0	0	0	0	0	0	0	0	0
	↑	GS1	1	0	0	0	0	0	0	0	0	0	0	0	0	0	0	0	0	0
	Darker	GS2	0	1	0	0	0	0	0	0	0	0	0	0	0	0	0	0	0	0
	↑	↓	↓					↓					↓							
	↓	↓	↓					↓					↓							
	Brighter	GS61	1	0	1	1	1	1	0	0	0	0	0	0	0	0	0	0	0	0
	↓	GS62	0	1	1	1	1	1	0	0	0	0	0	0	0	0	0	0	0	0
Red	GS63	1	1	1	1	1	1	0	0	0	0	0	0	0	0	0	0	0	0	
Gray Scale of Green	Black	GS0	0	0	0	0	0	0	0	0	0	0	0	0	0	0	0	0	0	0
	↑	GS1	0	0	0	0	0	0	1	0	0	0	0	0	0	0	0	0	0	0
	Darker	GS2	0	0	0	0	0	0	0	1	0	0	0	0	0	0	0	0	0	0
	↑	↓	↓					↓					↓							
	↓	↓	↓					↓					↓							
	Brighter	GS61	0	0	0	0	0	0	1	0	1	1	1	1	0	0	0	0	0	0
	↓	GS62	0	0	0	0	0	0	0	1	1	1	1	1	0	0	0	0	0	0
Green	GS63	0	0	0	0	0	0	1	1	1	1	1	1	0	0	0	0	0	0	
Gray Scale of Blue	Black	GS0	0	0	0	0	0	0	0	0	0	0	0	0	0	0	0	0	0	0
	↑	GS1	0	0	0	0	0	0	0	0	0	0	0	1	0	0	0	0	0	0
	Darker	GS2	0	0	0	0	0	0	0	0	0	0	0	0	1	0	0	0	0	0
	↑	↓	↓					↓					↓							
	↓	↓	↓					↓					↓							
	Brighter	GS61	0	0	0	0	0	0	0	0	0	0	0	0	1	0	1	1	1	1
	↓	GS62	0	0	0	0	0	0	0	0	0	0	0	0	0	1	1	1	1	1
Blue	GS63	0	0	0	0	0	0	0	0	0	0	0	0	1	1	1	1	1	1	

Each basic color can be displayed in 64 gray scales from 6 bit data signals. According to the combination of total 18 bit data signals, the 262,144-color display can be achieved on the screen.

## 9. Optical Characteristics

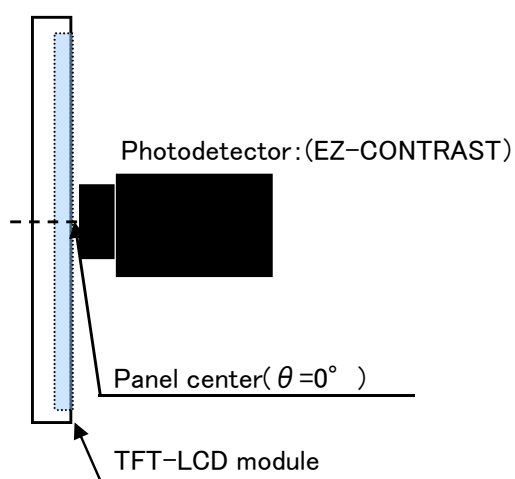
Ta=+25°C, Vcc=+3.3V

Parameter		Symbol	Condition	Min.	Typ.	Max.	Unit	Remark
Viewing angle range	Horizontal	$\theta_{3,09}$	CR > 10	70	80	-	Deg.	【Note9-1】 【Note9-3】
	Vertical	$\theta_{6,012}$		70	80	-	Deg.	【Note9-6】
Contrast ratio		CR	optimized angle	500	700	-		【Note9-2】 【Note9-4】 【Note9-6】
Response Time		$\tau_r + \tau_d$	$\theta = 0^\circ$	-	15	-	ms	【Note9-2】 【Note9-5】 【Note9-6】
Chromaticity of White		W <sub>x</sub>		0.263	0.313	0.363		【Note9-2】 【Note9-6】
		W <sub>y</sub>		0.279	0.329	0.379		
Luminance of white		Y <sub>L1</sub>		190	240	-	cd/m <sup>2</sup>	【Note9-2】 【Note9-6】 I <sub>L</sub> =60mA

※The measurement shall be executed 30 minutes after lighting at rating.(condition : I<sub>L</sub> = 60mA)

The optical characteristics shall be measured in a dark room or equivalent state with the method shown in Fig.2 below.

【Note9-1】 Measuring method of Viewing angle



【Note9-2】 Measuring method of contrast, luminance, response time, and Chromaticity.

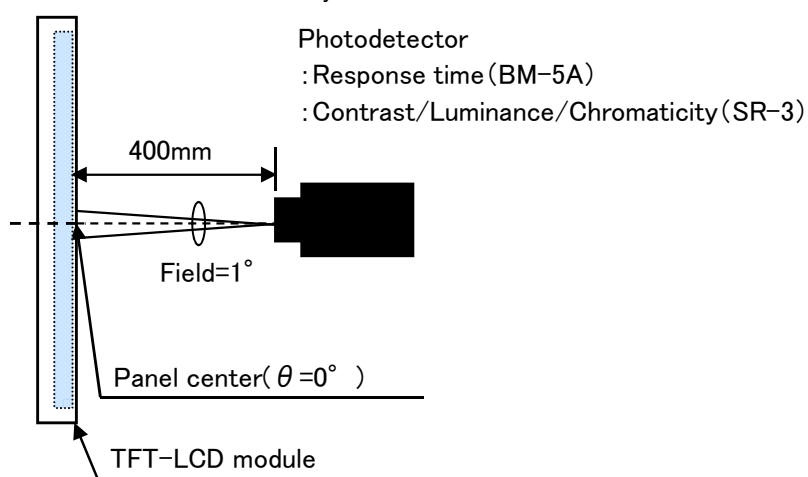
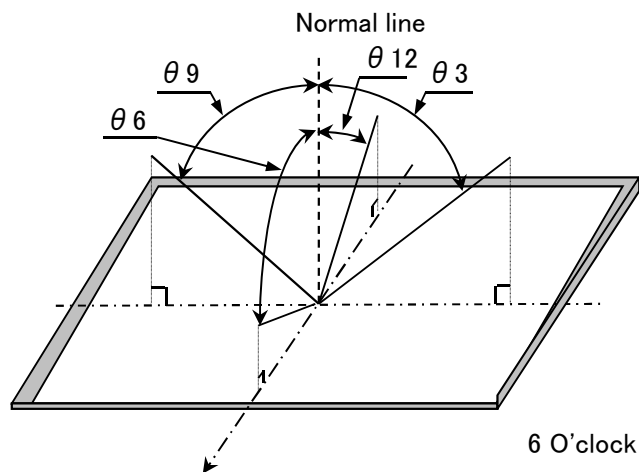


Fig.2 Optical characteristics measurement method

【Note9-3】Definitions of viewing angle range:

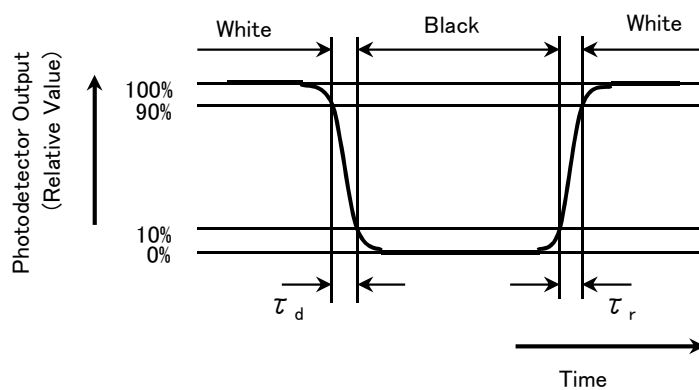


【Note9-4】Definition of contrast ratio:

The contrast ratio is defined as the following. 
$$\text{Contrast (CR)} = \frac{\text{Luminance with all pixels white}}{\text{Luminance with all pixels black}}$$

【Note9-5】Definition of response time:

The response time is defined as the following figure and shall be measured by switching the input signal for "black" and "white".



【Note9-6】This shall be measured at center of the screen.

## 10. Handling Precautions

- a) Be sure to turn off the power supply when inserting or disconnecting the FPC.
- b) Please insert FPC in the connector carefully so that the tension should not hang.
- c) Be sure to design the cabinet so that the module can be installed without any extra stress such as warp or twist.
- d) Since the front polarizer is easily damaged, pay attention not to scratch it.  
Blow away dust on the polarizer with antistatic N<sub>2</sub> blow. It is undesirable to wipe off because a polarizer is sensitive. It is recommended to peel off softly using the adhesive tape when soil or finger oil is stuck to the polarizer.  
When unavoidable, wipe off carefully with a cloth for wiping lenses.
- e) Wipe off water drop immediately. Long contact with water may cause discoloration or spots.
- f) When the panel surface is soiled, wipe it with absorbent cotton or other soft cloth.
- g) Since the panel is made of glass, it may break or crack if dropped or bumped on hard surface. Handle with care.
- h) Since CMOS LSI is used in this module, take care of static electricity and injure the human earth when handling. Observe all other precautionary requirements in handling components.
- i) Since there is a circuit FPC in the module back, stress is not added at the time of a design assembly. Please make it like. If stress is added, there is a possibility that circuit parts may be damaged.
- j) LCD-FPC has electronic devices on its own. Please make sure electric insulation between that portion (the devices and soldering ) and the user's set.
- k) The polarizer surface on the panel is treated with Anti-Glare for low reflection. In case of attaching protective board over the LCD, be careful about the optical interface fringe etc. which degrades display quality.
- l) Do not expose the LCD panel to direct sunlight. Lightproof shade etc. should be attached when LCD panel is used under such environment. The panel characteristic might be deteriorated and the display fineness decrease when strong light is irradiated to the liquid crystal panel.
- m) When handling LCD modules and assembling them into cabinets, that long-terms storage in the environment of oxidization or deoxidization gas and the use of such materials as reagent, solvent, adhesive, resin, etc. which generate these gasses, causes corrosion and discoloration of the modules. Therefore, please avoid these use.  
Epoxy resin (amine series curing agent), silicone adhesive material (dealcoholization series and oxime series), tray forming agent (azo compound) etc, in the cabinet or the packing materials may induce abnormal display with polarizer film deterioration regardless of contact or noncontact to polarizer film.  
Be sure to confirm the component of them.
- n) Liquid crystal contained in the panel may leak if the LCD is broken. Rinse it as soon as possible if it gets inside your eye or mouth by mistake.
- o) Notice: Never dismantle the module , because it will cause failure. Moreover, please do not peel off the tapes other than the creped paper tape (yellow tape) of a protection film pasted to the product.
- p) Be careful when using it for long time with fixed pattern display as it may cause afterimage.  
(Please use a screen saver etc., in order to avoid an afterimage.)
- q) If a minute particle enters in the module and adheres to an optical material, it may cause display non-uniformity issue, etc. Therefore, fine-pitch filters have to be installed to cooling and inhalation hole if you intend to install a fan.
- r) The LED used for this product is very sensitive to the temperature. Luminance decreases rapidly when it issued for a long time under the environment of the high temperature. Please consult our company when it is used under the environment like the above mentioned.
- s) Don't give any stress to the joint part of FPC and LCD panel , please avoid the bend to panel side.
- t) Because metal parts are used on this model, it has the potential of rust formation



## 11. Packing form

- a) Piling number of cartons : MAX. 9
- b) Package quantity in one carton: 64pcs
- c) Carton size(TYP): 584mm(W) × 349mm(D)×195mm(H)
- d) Total mass of one carton filled with full modules(64pcs) : 8kg
- e) Packing form fig: fig.3

## 12. Reliability test items

No.	Test item	Conditions	Remark
1	High temperature storage test	Ambient temperature +85°C 240H	【Note12-1】
2	Low temperature storage test	Ambient temperature -30°C 240H	【Note12-1】
3	High temperature & high humidity operation test	Ambient temperature 40°C、 Humidity 95% RH 240H (No condensation.)	【Note12-1】
4	High temperature operation test	Panel surface (Active Area) +85°C 240H	【Note12-1】
5	Low temperature operation test	Ambient temperature -30°C 240H	【Note12-1】
6	Vibration test	< Sin wave > Frequency : 10~57Hz/Vibration width (one side) : 0.076mm : 57~500Hz/Gravity : 9.8m/s <sup>2</sup> Sweep time : 11minutes Test period : 3H (X, Y, Z direction 1H)	【Note12-1】
7	Shock test	Max. gravity : 490m/s <sup>2</sup> Pulse width : 11ms Direction : ±X,±Y,±Z Test period : 1time/1direction	【Note12-1】

【Note12-1】 Under the display quality test conditions with normal operation state, these shall be no change which may affect practical display function. (normal operation state: Temperature:15~35°C, Humidity:45~75%, Atmospheric pressure:86~106kpa)

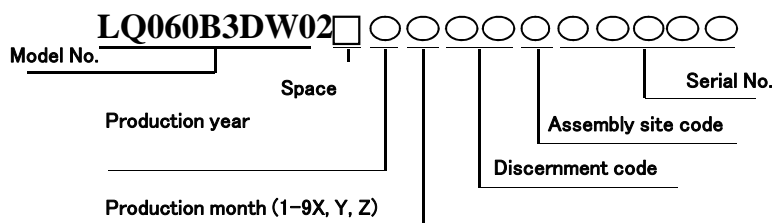
## 13. Others

### 13-1. Lot No Label:

#### A) Module serial label

The label that displays Model No. ( LQ060B3DW02) ・Lot No. is stuck on the back of the module.

Lot No display method(Figure and alphabet)



#### B) Packing box Label:

The label that displays ①Model number ( LQ060B3DW02) ②Lot number ③Quantity of module is stuck on the packing box. Moreover, the display of bar code also applies to this.

社内品番:	(4S) LQ060B3DW02
バーコード(①)	
Lot No. :	(1T) 2015. 04. 06 * *
バーコード(②)	
Quantity :	(Q) 64 pcs
バーコード(③)	
ユーザー品番 :	
シャープ物流用ラベルです。	

- ① Model number ( LQ060B3DW02)
- ② Lot number (DATE)
- ③ Quantity of module

Our management product number might be filled i  
(Example : LQ060B3DW02Y etc.)

A right picture is written to the packing box of module for the RoHS restriction.

※ R.C. (RoHS Compliance) means these parts have corresponded with the RoHS directive.

This module corresponds from the first sample to RoHS Directive.

**R.C.**

13-3. The ozone-depleting substances is not used.

13-4. If any problem occurs in relation to the description of this spec sheet, it shall be resolved through discussion with spirit of cooperation.

## 14. Storage conditions

Environmental condition range of storage temperature and humidity

Temperature 0 to 40 degrees Celsius

【Note】 Please refer below as a mean value of the environmental conditions.

Summer time temperature 20 to 35 degrees Celsius humidity , 85% and below

Winter time temperature 5 to 15 degrees Celsius humidity , 85% and below

Please maintain within 240 hours of accumulated length of storage time, with conditions of 40 degrees Celsius and room humidity of 95%.

Direct sunshine

Please keep it in the state of wrapping or the darkroom so that direct sunshine should not strike directly into the product.

Atmosphere

Please do not keep it in the place with the danger of the generation of the causticity gas and the volatile solvent.

Asking for be dewy prevention

- Please do not put directly on the floor, and keep the wrapping box on the palette or the stand to avoid the be dewy. Moreover, please arrange it in a constant direction correctly to improve ventilation under the palette.
- Please separate from the wall in the storage warehouse and keep it.
- Please note that ventilation is improved and consider the installation such as ventilators in the warehouse.
- Please manage so that there is no rapid temperature change more than natural environment.

Keeping period

Please make it to keeping within one year under the above-mentioned keeping condition.

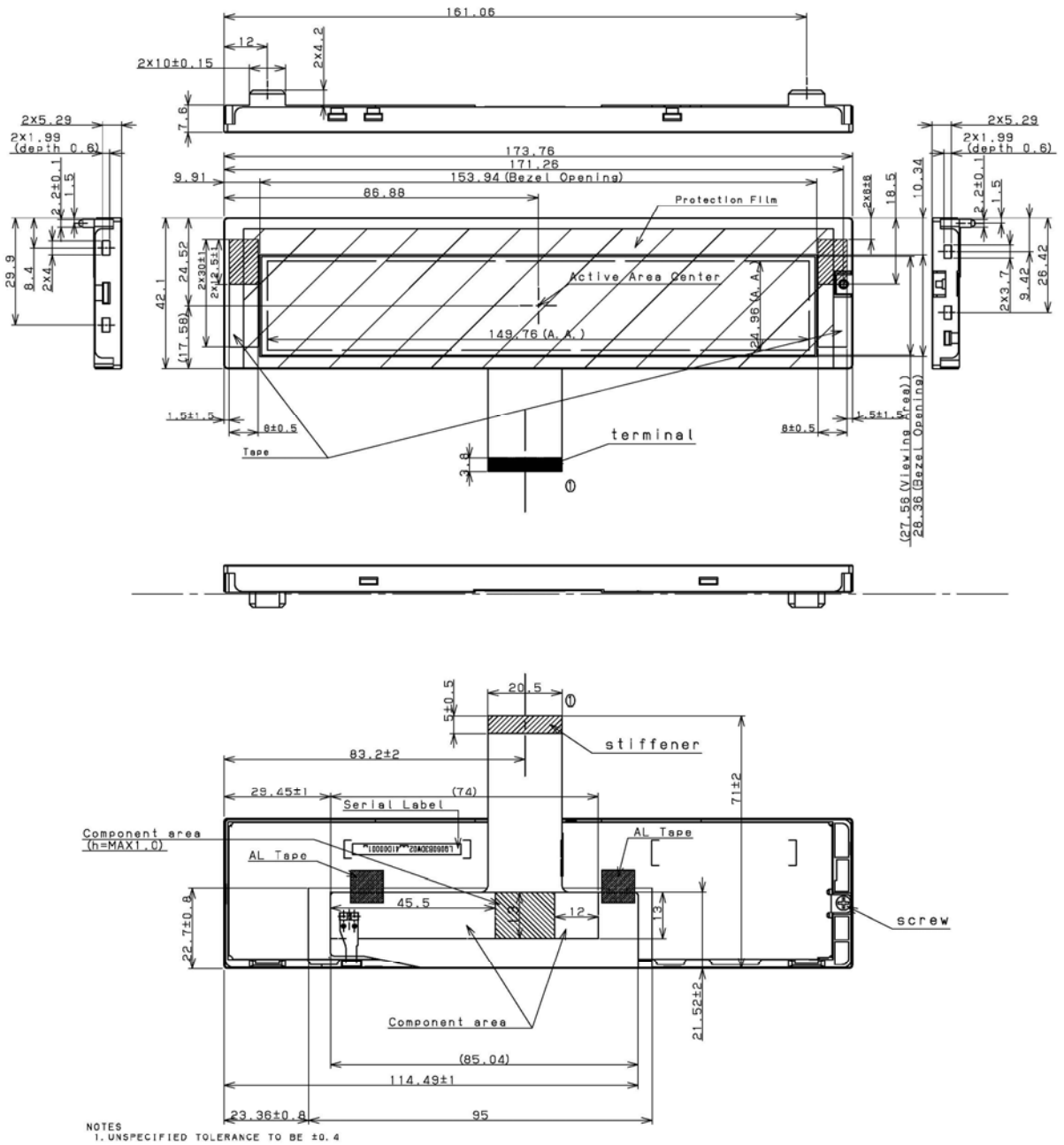


Fig. 1 Outline Dimension

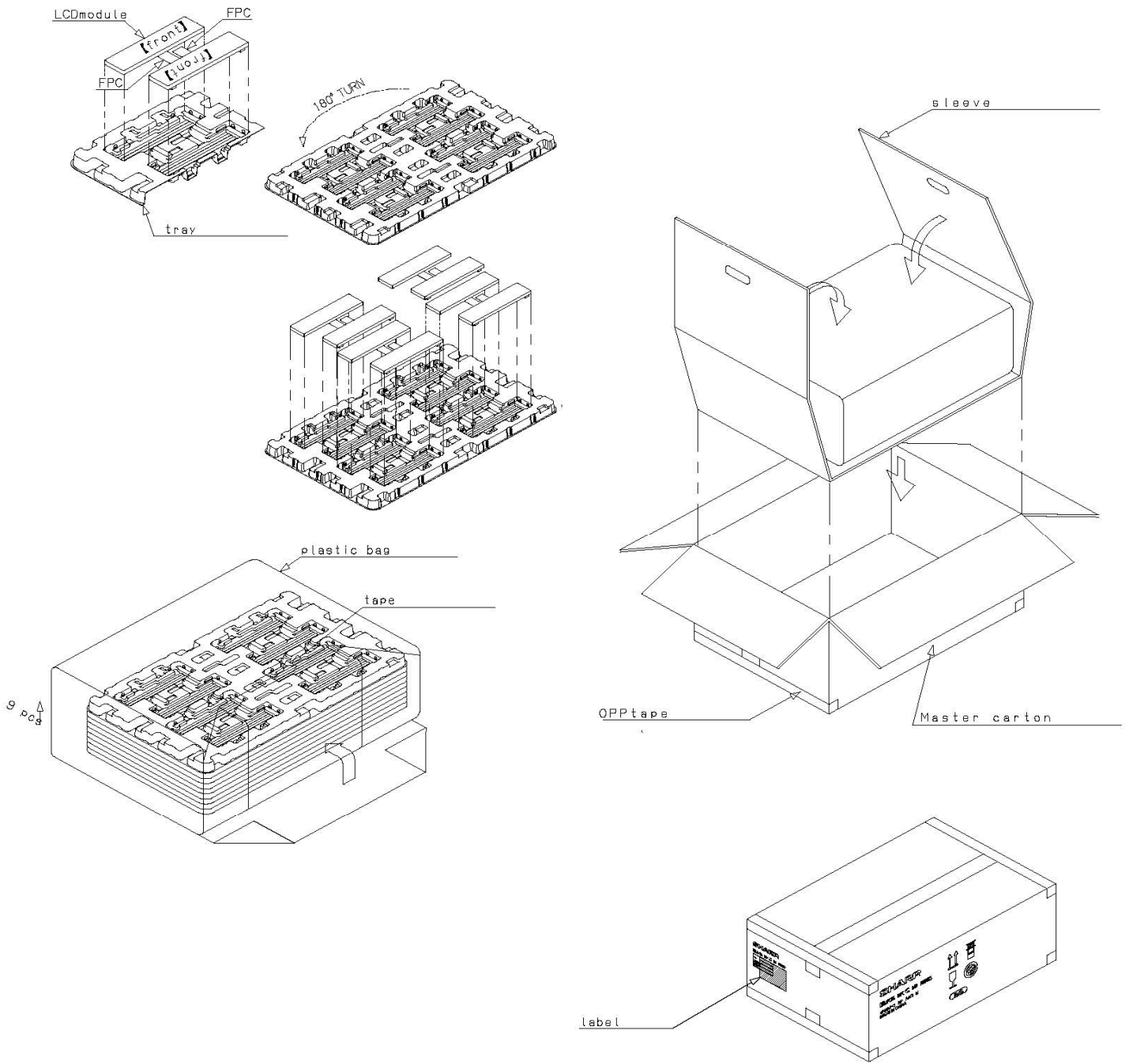


Fig3 : Packing form figure