

## ***TFT-Display Datenblatt***

Modell SL2220ML-L2

### **Kurzdaten**

Hersteller	STI
Diagonale	21,5" / 54,6 cm
Format	15:4
Auflösung	1920 x 510
Backlight	LED / 350 cd/m <sup>2</sup>
Interface	LVDS
Touchscreen	nein
Temperatur	0...+50°C (Betrieb)



# Specification

## SL2220ML-L2

**MODEL : SL2220ML-L2**

**VERSION : 0.1**

**DATE : 2012-03-09**

**Doc.No : 1203-2220510L2**

Signature	Data
_____	_____
_____	_____
_____	_____

Please return 1 copy for your information with your signature and comments

Approved by	Data
_____	_____
_____	_____
_____	_____

Product Engineering Dept.  
Systems Technology Inc.

*The Information Described in this Specification is Preliminary and can be changed without prior notice*



Contents

No	Item	Page
	Contents	1
	Revision History	2
1	General Description	3
2	Absolute Maximum Ratings	4
3	Electrical Specifications	5
	3-1 Electrical Characteristics	5
	3-2 Interface Connections	8
	3-3 Signal Timing Specifications	13
	3-4 Signal Timing Waveforms	14
	3-5 Color Data Reference	15
	3-6 Power Sequence	16
	3-7 VLCD Power Dip Condition	17
4	Optical Specification	18
5	Mechanical Characteristics	24
6	Reliability	27
7	Precautions	28
	7-1 Mounting Precautions	
	7-2 Operating Precautions	
	7-3 Electrostatic Discharge Control	29
	7-4 Precautions for Strong Light Exposure	
	7-5 Storage	
	7-6 Handling Precautions for Protection Film	

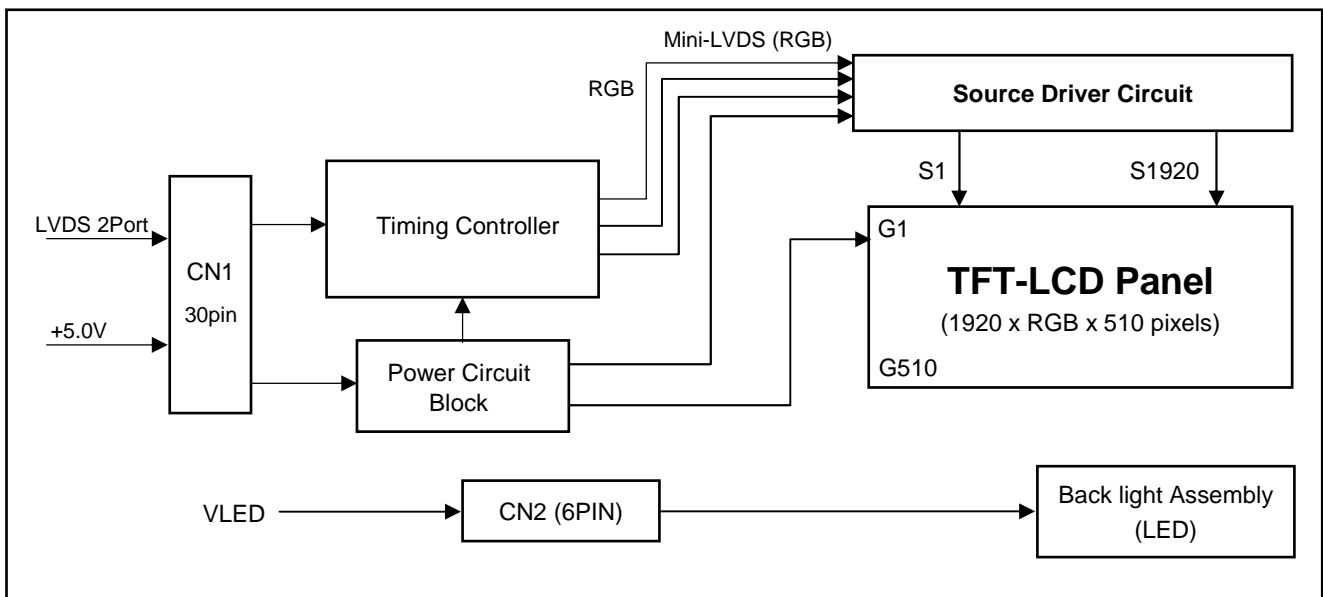
### Revision History

Date	Rev.No	Page	Description
2012-03-09	0.1		Preliminary Specifications.



### 1. General Description

SL2220ML-L2 is a Color Active Matrix Liquid Crystal Display with a Light Emitting Diode ( White LED) backlight system without LED driver. The matrix employs a-Si Thin Film Transistor as the active element. It is a transmissive type display operating in the normally black mode. It has a 20 inch diagonally measured active display area with FHD resolution (510 vertical by 1920 horizontal pixel array) Each pixel is divided into Red, Green and Blue sub-pixels or dots which are arranged in vertical stripes. Gray scale or the brightness of the sub-pixel color is determined with a 8-bit gray scale signal for each dot, thus, presenting a palette of more than 16,7M colors with A-FRC (Advanced Frame Rate Control). It has been designed to apply the 8Bit 2 port LVDS interface. It is intended to support displays where high brightness, super wide viewing angle, high color saturation, and high color are important.



### General Information

Active Display Size	475.2mm (H) x 126.23mm (V)
Display format	21.5 inch, 1 / 2 type
Outline Dimension	495.6mm (H) x 150.65mm (V) x 10.7 (D)
Pixel Pitch	0.2475 mm x 0.2475mm
Pixel Format	1920 horiz. by 510 vert. pixels RGB stripe arrangement
Interface	LVDS 2Port
Color Depth	16,7M colors (6bit + A-FRC)
Luminance, White	350 cd/m2 (Center 1-point) (Typ.)
Viewing Angle (CR>10)	Viewing Angle Free ( R/L 178 (Typ.), U/D 178 (Typ))
Power Consumption	Total 22.29W (Typ.) (Logic=3.99W, LED BLU=18.3W)
Weight	0.71 Kg (Typ)
Display Operating Mode	Transmissive mode, Normally black
Surface Treatment	Hard coating (3H), Anti-glare treatment of the front polarizer

**2. Absolute Maximum Ratings**

The following are maximum values which, if exceeded, may cause faulty operation or damage to the unit.

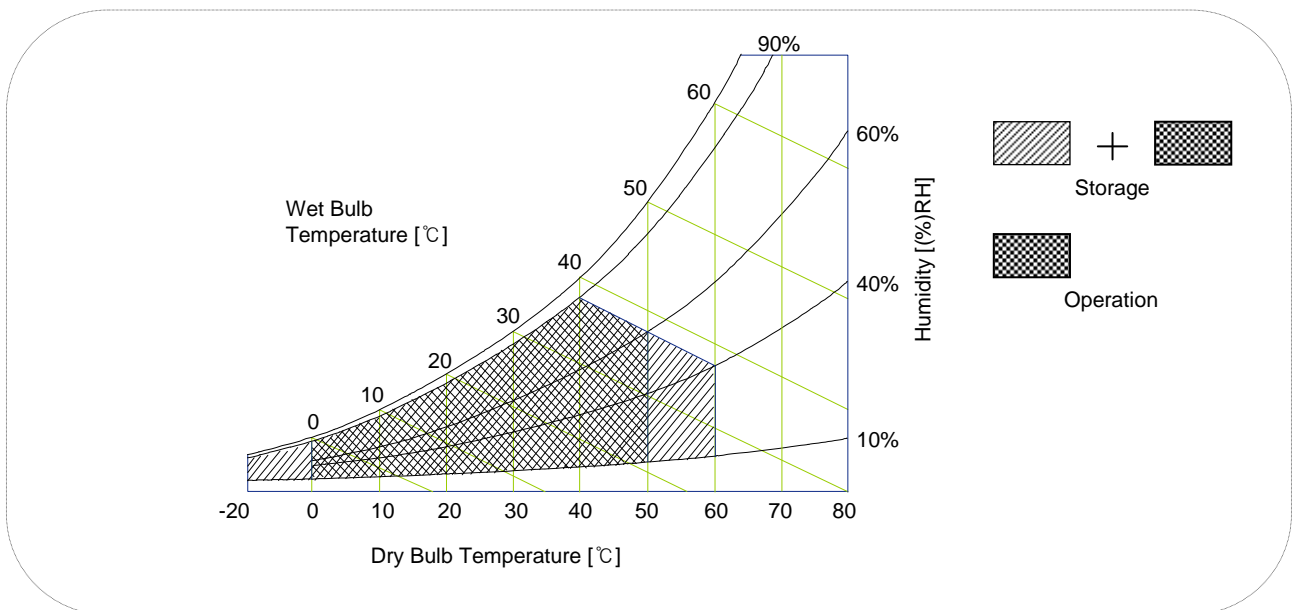
**Table 1. Absolute maximum ratings**

Parameter	Symbol	Value		Unit	Remarks
		Min	Max		
Power Input Voltage	V <sub>LCD</sub>	-0.3	+6.0	VDC	at 25 ± 2°C
Operating Temperature	T <sub>OP</sub>	0	+50	°C	1, 2, 3
Storage Temperature	T <sub>ST</sub>	-20	+60	°C	
Operating Ambient Humidity	H <sub>OP</sub>	10	90	%RH	
Storage Humidity	H <sub>ST</sub>	10	90	%RH	

**NOTE**

1. Temperature and relative humidity range are shown in the figure below.  
Wet bulb temperature should be 39 °C Max, and no condensation of water.
2. Maximum Storage Humidity is up to 40°C, 70% RH only for 4 corner light leakage Mura.
3. Storage condition is guaranteed under packing condition.

**FIG.2 Temperature and relative humidity**



### 3. Electrical Specifications

#### 3.1. Electrical Characteristics

It requires two power inputs. One is employed to power the LCD electronics and to drive the TFT array and liquid crystal. The second input power for the LED/Backlight, is typically generated by a LED Driver. The LED Driver is an external unit to the LCDs.

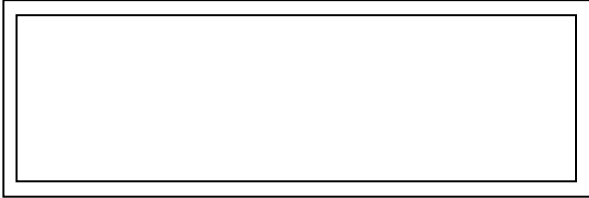
**Table 2-1. Electrical characteristics**

Parameter	Symbol	Value			Unit	Remarks
		Min	Typ	Max		
Circuit :						
Power Supply Input Voltage	$V_{LCD}$	4.5	5.0	5.5	VDC	
Permissive Power Input Ripple	$V_{dRF}$	-	-	100	mV <sub>p-p</sub>	1
Differential Impedance	$Z_m$	90	100	110	Ohm	
Power Supply Input Current	$I_{LCD}$	-	797	917	mA	2
		-	1063	1223	mA	3
Power Consumption	Pc TYP	-	3.99	4.95	Watt	2
	Pc MAX	-	5.32	6.12	Watt	3
Rush current	$I_{RUSH}$	-	-	3.0	A	4

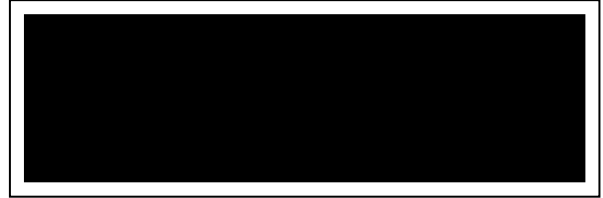
Note :

1. Permissive power ripple should be measured under  $V_{LCD} = 5.0V$ ,  $25^{\circ}C$ ,  $F_v$  (frame frequency)=MAX condition and At that time, we recommend the bandwidth configuration of oscilloscope is to be under 20Mhz. See the next page.
2. The specified current and power consumption are under the  $V_{LCD}=5.0V$ ,  $25 \pm 2^{\circ}C$ ,  $f_v=60Hz$  condition whereas Typical Power Pattern [Mosaic] shown in the [ Figure 3 ] is displayed.
3. The current is specified at the maximum current pattern.
4. Maximum Condition of Inrush current :  
The duration of rush current is about 5ms and rising time of power Input is  $500\mu s \pm 20\%$ .(min.).

- **Permissive Power input ripple** (VLCD =5.0V, 25°C, fV (frame frequency)=MAX condition)

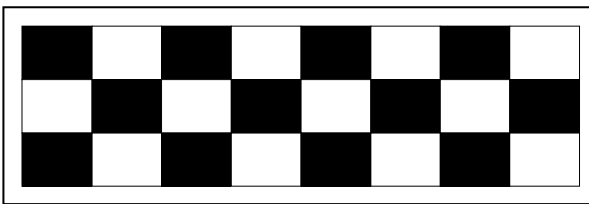


White pattern

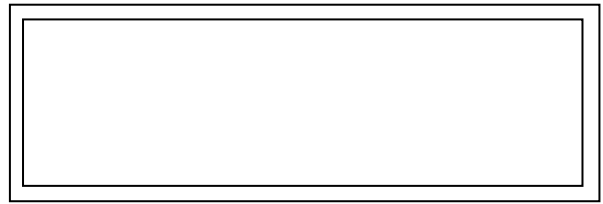


Black pattern

- **Power consumption** (VLCD =5.0V, 25°C, fV (frame frequency)=60Hz condition)



Typical power Pattern



Maximum power Pattern

**FIG.3 Mosaic pattern & White Pattern for power consumption measurement**



Table 3. LED Bar ELECTRICAL CHARACTERISTICS

Parameter	Symbol	Values			Unit	Remarks
		Min	Typ	Max		
LED						1, 7
LED String Current	Is	-	110	120	mA	2, 7
LED String Voltage	Vs	39.0	41.6	44.2	V	3, 7
Power Consumption	PBar	17.2	18.3	19.5	Watt	4, 5, 7
LED Life Time	LED_LT	30,000			Hrs	5, 7

### LED driver design guide

: The design of the LED driver must have specifications for the LED in LCD Assembly.

The performance of the LED in LCM, for example life time or brightness, is extremely influenced by the characteristics of the LED driver.

So all the parameters of an LED driver should be carefully designed and output current should be Constant current control.

Please control feedback current of each string individually to compensate the current variation among the strings of LEDs.

When you design or order the LED driver, please make sure unwanted lighting caused by the mismatch of the LED and the LED driver (no lighting, flicker, etc) never occurs.

When you confirm it, the LCD module should be operated in the same condition as installed in your instrument.

1. Specified values are for a single LED bar.
2. The specified current is input LED chip 100% duty current.
3. The specified voltage is input LED string and Bar voltage at typical 110 mA 100% duty current.
4. The specified power consumption is input LED bar power consumption at typical 110 mA 100% duty current.
5. The life is determined as the time at which luminance of the LED is 50% compared to that of initial value at the typical LED current on condition of continuous operating at  $25 \pm 2^\circ\text{C}$ .
6. The LED bar power consumption shown above does not include loss of external driver.  
The used LED bar current is the LED typical current.  
Min Power Consumption is calculated with  $P_{\text{Bar}} = V_s (\text{Min.}) \times I_s (\text{Typ.}) \times N_{\text{string}}$   
Max Power Consumption is calculated with  $P_{\text{Bar}} = V_{\text{bar}} (\text{Max.}) \times I_s (\text{Typ.}) \times N_{\text{string}}$
7. LED operating DC Forward Current must not exceed LED Max Ratings at  $25 \pm 2^\circ\text{C}$

## 3.2. Interface connections

### 3.2.1 LCD Module

- LCD Connector(CN1). : GT103-30S-HF15 (LSM) , IS100-L30O-C23 (UJU)

- Mating Connector : FI-X30C2L (Manufactured by JAE) or Equivalent

**Table 4-1. Module connector(CN1) pin configuration**

No.	Symbol	Description	No.	Symbol	Description
1	FR0M	Minus signal of odd channel 0 (LVDS)	16	SR1P	Plus signal of even channel 1 (LVDS)
2	FR0P	Plus signal of odd channel 0 (LVDS)	17	GND	Ground
3	FR1M	Minus signal of odd channel 1 (LVDS)	18	SR2M	Minus signal of even channel 2 (LVDS)
4	FR1P	Plus signal of odd channel 1 (LVDS)	19	SR2P	Plus signal of even channel 2 (LVDS)
5	FR2M	Minus signal of odd channel 2 (LVDS)	20	SCLKINM	Minus signal of even clock channel (LVDS)
6	FR2P	Plus signal of odd channel 2 (LVDS)	21	SCLKINP	Plus signal of even clock channel (LVDS)
7	GND	Ground	22	SR3M	Minus signal of even channel 3 (LVDS)
8	FCLKINM	Minus signal of odd clock channel (LVDS)	23	SR3P	Plus signal of even channel 3 (LVDS)
9	FCLKINP	Plus signal of odd clock channel (LVDS)	24	GND	Ground
10	FR3M	Minus signal of odd channel 3 (LVDS)	25	NC	No Connection (I2C Serial interface for LCM)
11	FR3P	Plus signal of odd channel 3 (LVDS)	26	NC	No Connection.(I2C Serial interface for LCM)
12	SR0M	Minus signal of even channel 0 (LVDS)	27	PWM_OUT	For Control Burst frequency of Inverter
13	SR0P	Plus signal of even channel 0 (LVDS)	28	VLCD	Power Supply +5.0V
14	GND	Ground	29	VLCD	Power Supply +5.0V
15	SR1M	Minus signal of even channel 1 (LVDS)	30	VLCD	Power Supply +5.0V

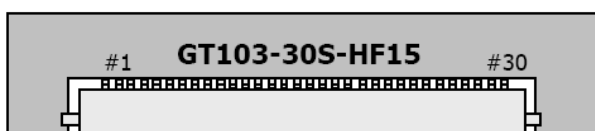
Note :

1. All GND (ground) pins should be connected together and to Vss which should also be connected to the LCD's metal frame.
2. All VLCD (power input) pins should be connected together.
3. Input Level of LVDS signal is based on the IEA 664 Standard.
4. PWM\_OUT signal controls the burst frequency of a inverter.

This signal is synchronized with vertical frequency.

It's frequency is 3 times of vertical frequency, and it's duty ratio is 50%.

If you don't use this pin, it is no connection.



**FIG.3 Connector diagram**

Table 4. REQUIRED SIGNAL ASSIGNMENT FOR Flat Link (TI:SN75LVDS83) Transmitter

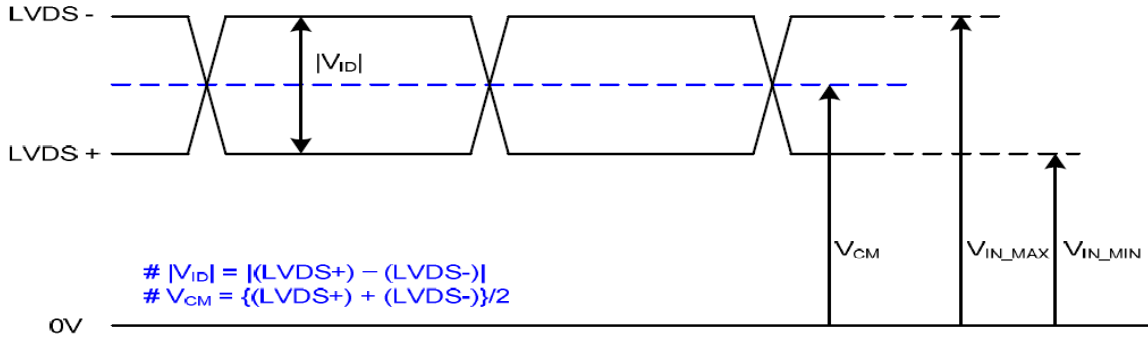
No.	Pin Name	Require Signal	No.	Pin Name	Require Signal
1	VCC	Power Supply for TTL Input	29	GND	Ground pin for TTL
2	D5	TTL Input (R7)	30	D26	TTL Input (DE)
3	D6	TTL Input (R5)	31	TX CLKIN	TTL Level clock Input
4	D7	TTL Input (G0)	32	PWR DWN	Power Down Input
5	GND	Ground pin for TTL	33	PLL GND	Ground pin for PLL
6	D8	TTL Input (G1)	34	PLL VCC	Power Supply for PLL
7	D9	TTL Input (G2)	35	PLL GND	Ground pin for PLL
8	D10	TTL Input (G6)	36	LVDS GND	Ground pin for LVDS
9	VCC	Power Supply for TTL Input	37	TxOUT3 +	Positive LVDS differential data output 3
10	D11	TTL Input (G7)	38	TxOUT3 -	Negative LVDS differential data output 3
11	D12	TTL Input (G3)	39	TX CLKOUT +	Positive LVDS differential clock output
12	D13	TTL Input (G4)	40	TX CLKOUT -	Negative LVDS differential clock output
13	GND	Ground pin for TTL	41	TX OUT2 +	Positive LVDS differential data output 2
14	D14	TTL Input (G5)	42	TX OUT2 -	Negative LVDS differential data output 2
15	D15	TTL Input (B0)	43	LVDS GND	Ground pin for LVDS
16	D16	TTL Input (B6)	44	LVDS VCC	Power Supply for LVDS
17	VCC	Power Supply for TTL Input	45	TX OUT1 +	Positive LVDS differential data output 1
18	D17	TTL Input (B7)	46	TX OUT1 -	Negative LVDS differential data output 1
19	D18	TTL Input (B1)	47	TX OUT0 +	Positive LVDS differential data output 0
20	D19	TTL Input (B2)	48	TX OUT0 -	Negative LVDS differential data output 0
21	GND	Ground pin for TTL	49	LVDS GND	Ground pin for LVDS
22	D20	TTL Input (B3)	50	D27	TTL Input (R6)
23	D21	TTL Input (B4)	51	D0	TTL Input (R0)
24	D22	TTL Input (B5)	52	D1	TTL Input (R1)
25	D23	TTL Input (RSVD)	53	GND	Ground pin for TTL
26	VCC	Power Supply for TTL Input	54	D2	TTL Input (R2)
27	D24	TTL Input (HSYNC)	55	D3	TTL Input (R3)
28	D25	TTL Input (VSYNC)	56	D4	TTL Input (R4)

## Notes :

1. Refer to LVDS Transmitter Data Sheet for detail descriptions.
2. 7 means MSB and 0 means LSB at R,G,B pixel data

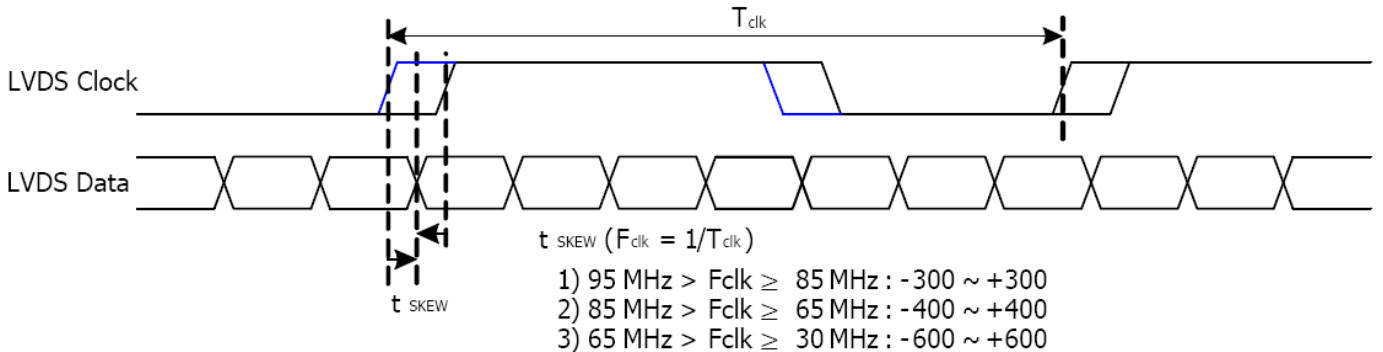
LVDS Input characteristics

1. DC Specification

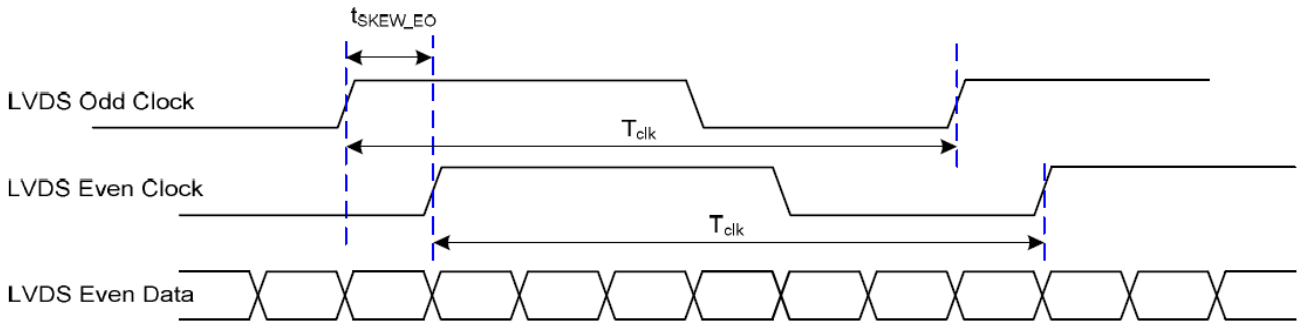


Description	Symbol	Min	Max	Unit	Note
LVDS Differential Voltage	$ V_{ID} $	200	600	mV	-
LVDS Common mode Voltage	$V_{CM}$	1.0	1.5	V	-
LVDS Input Voltage Range	$V_{IN}$	0.7	1.8	V	-
Change in common mode Voltage	$\Delta V_{CM}$	-	250	mV	-

2. AC Specification

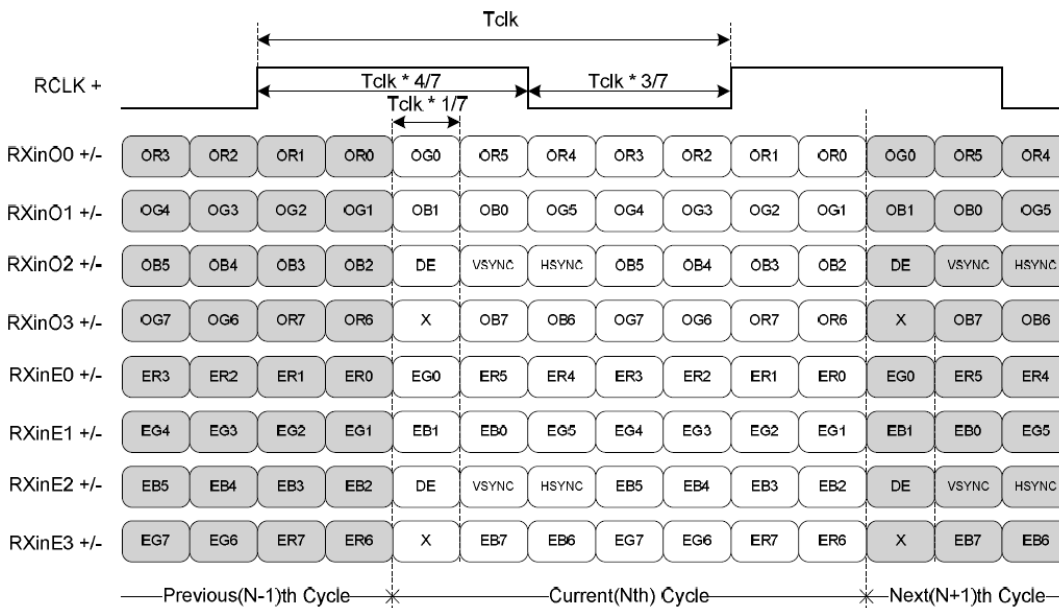


Description	Symbol	Min	Max	Unit	Note
LVDS Clock to Data Skew Margin	$t_{SKEW}$	-300	+300	ps	$95\text{MHz} > F_{clk} \geq 85\text{MHz}$
	$t_{SKEW}$	-400	+400	ps	$85\text{MHz} > F_{clk} \geq 65\text{MHz}$
	$t_{SKEW}$	-600	+600	ps	$65\text{MHz} > F_{clk} \geq 30\text{MHz}$
LVDS Clock to Clock Skew Margin (Even to Odd)	$t_{SKEW\_EO}$	-1/7	+1/7	Tclk	-



### 3. Data Format

#### 1) LVDS 2 Port



MSB	R7
	R6
	R5
	R4
	R3
	R2
	R1
LSB	R0

\* ODD = 1st Pixel  
EVEN = 2nd Pixel

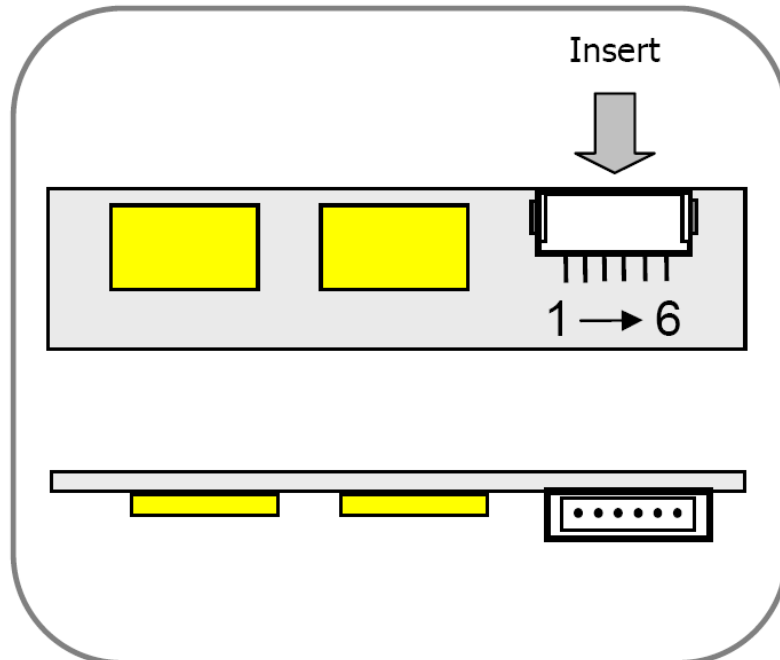
< LVDS Data Format >



**Table 5. BACKLIGHT CONNECTOR PIN CONFIGURATION(CN2)**

The LED interface connector is a model 10019HR-H06B manufactured by YEONHO.  
The pin configuration for the connector is shown in the table below.

No.	Symbol	Description	Note
1	FB1	Channel1 Current Feedback	
2	FB2	Channel2 Current Feedback	
3	VLED	LED Power Supply	
4	VLED	LED Power Supply	
5	FB3	Channel3 Current Feedback	
6	FB4	Channel4 Current Feedback	

**[ Figure 5 ] Backlight connector View**

### 3.3 Signal Timing Specifications

This is signal timing required at the input of the TMDS transmitter. All of the interface signal timing should be satisfied with the following specifications for it's proper operation.

**Table 6. TIMING TABLE**

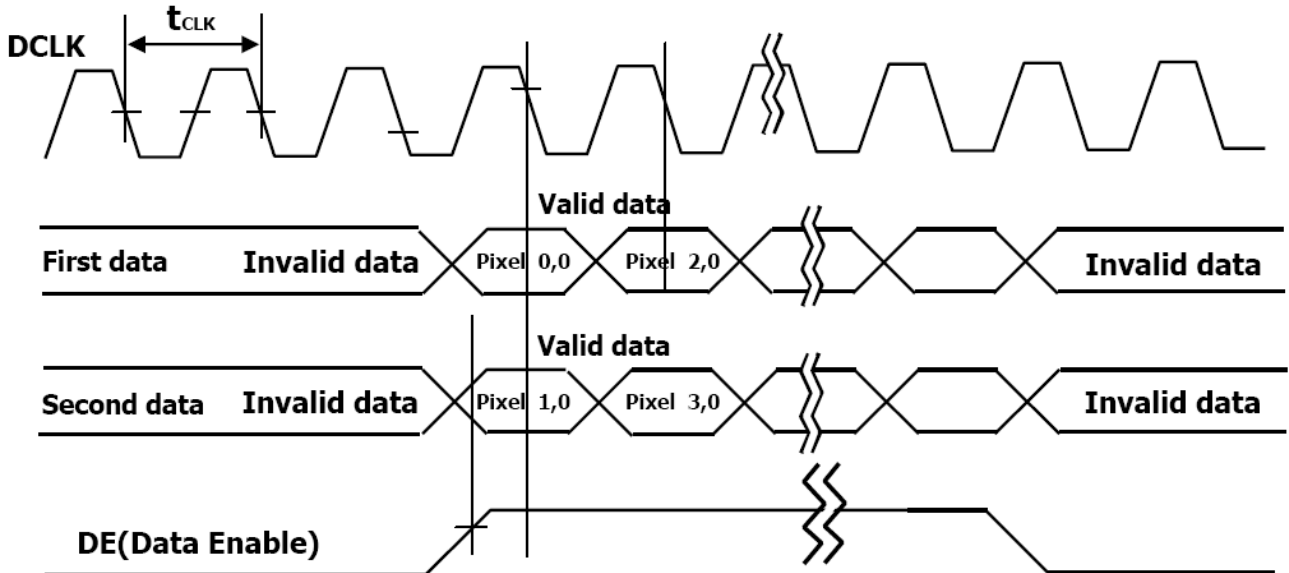
ITEM		Symbol	Min	Typ	Max	Unit	Note
DCLK	Period	tCLK	11.43	13.89	15.38	ns	
	Frequency	-	60	72	87.5	MHz	
Horizontal	total	tHP	1000	1088	1120	tCLK	
	Frequency	fH	64	66	83	KHz	
	Blanking		40	128	160	tCLK	
	valid	tWH	960	960	960	tCLK/2	
Vertical	total	tVP	1090	1100	1160	tHP	
	Frequency	fV	<b>50</b>	<b>60</b>	<b>75</b>	Hz	
	Blanking		<b>10</b>	<b>20</b>	<b>80</b>	tHP	
	valid	tWV	1080	1080	1080	tHP	

Note:

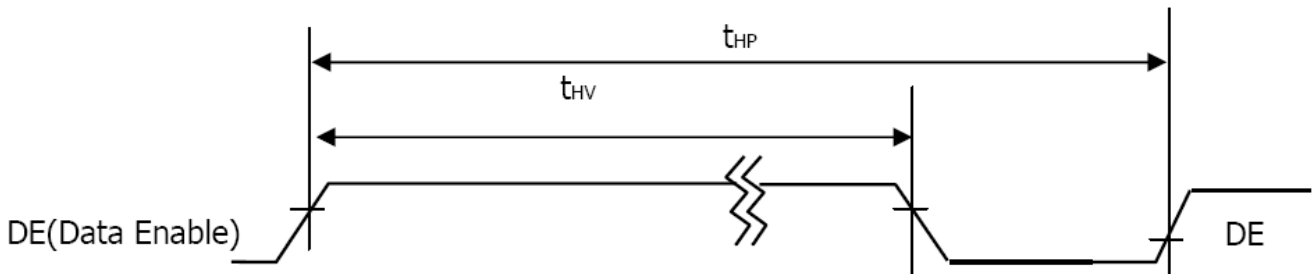
1. DE Only mode operation. The input of Hsync & Vsync signal does not have an effect on LCD normal operation.
2. The performance of the electro-optical characteristics may be influenced by variance of the vertical refresh rates.
3. Horizontal period should be even.

3.4. Signal Timing Waveforms

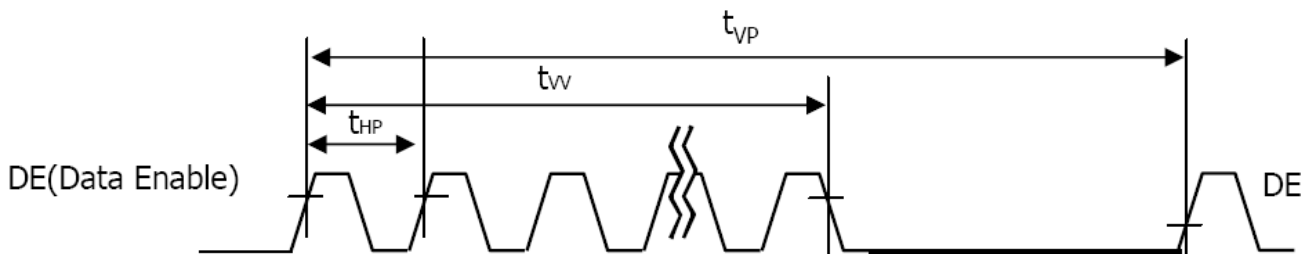
1. DCLK , DE, DATA waveforms



2. Horizontal waveform



3. Horizontal waveform





### 3.5 Color Data Reference

The Brightness of each primary color (red, green, blue) is based on the 8-bit gray scale data input for the color; the higher the binary input, the brighter the color. The table below provides a reference for color versus data input.

**Table 7. Color Data Reference**

Color		Input Color Data																							
		RED								GREEN								BLUE							
		MSB				LSB				MSB				LSB				MSB				LSB			
		R7	R6	R5	R4	R3	R2	R1	R0	G7	G6	G5	G4	G3	G2	G1	G0	B7	B6	B5	B4	B3	B2	B1	B0
Basic Color	Black	0	0	0	0	0	0	0	0	0	0	0	0	0	0	0	0	0	0	0	0	0	0	0	0
	Red (255)	1	1	1	1	1	1	1	1	0	0	0	0	0	0	0	0	0	0	0	0	0	0	0	0
	Green (255)	0	0	0	0	0	0	0	0	1	1	1	1	1	1	1	1	0	0	0	0	0	0	0	0
	Blue (255)	0	0	0	0	0	0	0	0	0	0	0	0	0	0	0	0	1	1	1	1	1	1	1	1
	Cyan	0	0	0	0	0	0	0	0	1	1	1	1	1	1	1	1	1	1	1	1	1	1	1	1
	Magenta	1	1	1	1	1	1	1	1	0	0	0	0	0	0	0	0	1	1	1	1	1	1	1	1
	Yellow	1	1	1	1	1	1	1	1	1	1	1	1	1	1	1	1	0	0	0	0	0	0	0	0
	White	1	1	1	1	1	1	1	1	1	1	1	1	1	1	1	1	1	1	1	1	1	1	1	1
RED	RED (000)	0	0	0	0	0	0	0	0	0	0	0	0	0	0	0	0	0	0	0	0	0	0	0	0
	RED (001)	0	0	0	0	0	0	0	1	0	0	0	0	0	0	0	0	0	0	0	0	0	0	0	0
	...	...								...								...							
	RED (254)	1	1	1	1	1	1	1	0	0	0	0	0	0	0	0	0	0	0	0	0	0	0	0	0
	RED (255)	1	1	1	1	1	1	1	1	0	0	0	0	0	0	0	0	0	0	0	0	0	0	0	0
GREEN	GREEN (000)	0	0	0	0	0	0	0	0	0	0	0	0	0	0	0	0	0	0	0	0	0	0	0	0
	GREEN (001)	0	0	0	0	0	0	0	0	0	0	0	0	0	0	0	1	0	0	0	0	0	0	0	0
	...	...								...								...							
	GREEN (254)	0	0	0	0	0	0	0	0	1	1	1	1	1	1	1	0	0	0	0	0	0	0	0	0
	GREEN (255)	0	0	0	0	0	0	0	0	1	1	1	1	1	1	1	1	0	0	0	0	0	0	0	0
BLUE	BLUE (000)	0	0	0	0	0	0	0	0	0	0	0	0	0	0	0	0	0	0	0	0	0	0	0	0
	BLUE (001)	0	0	0	0	0	0	0	0	0	0	0	0	0	0	0	0	0	0	0	0	0	0	0	1
	...	...								...								...							
	BLUE (254)	0	0	0	0	0	0	0	0	0	0	0	0	0	0	0	0	1	1	1	1	1	1	1	0
	BLUE (255)	0	0	0	0	0	0	0	0	0	0	0	0	0	0	0	0	1	1	1	1	1	1	1	1

3.6. Power Sequence

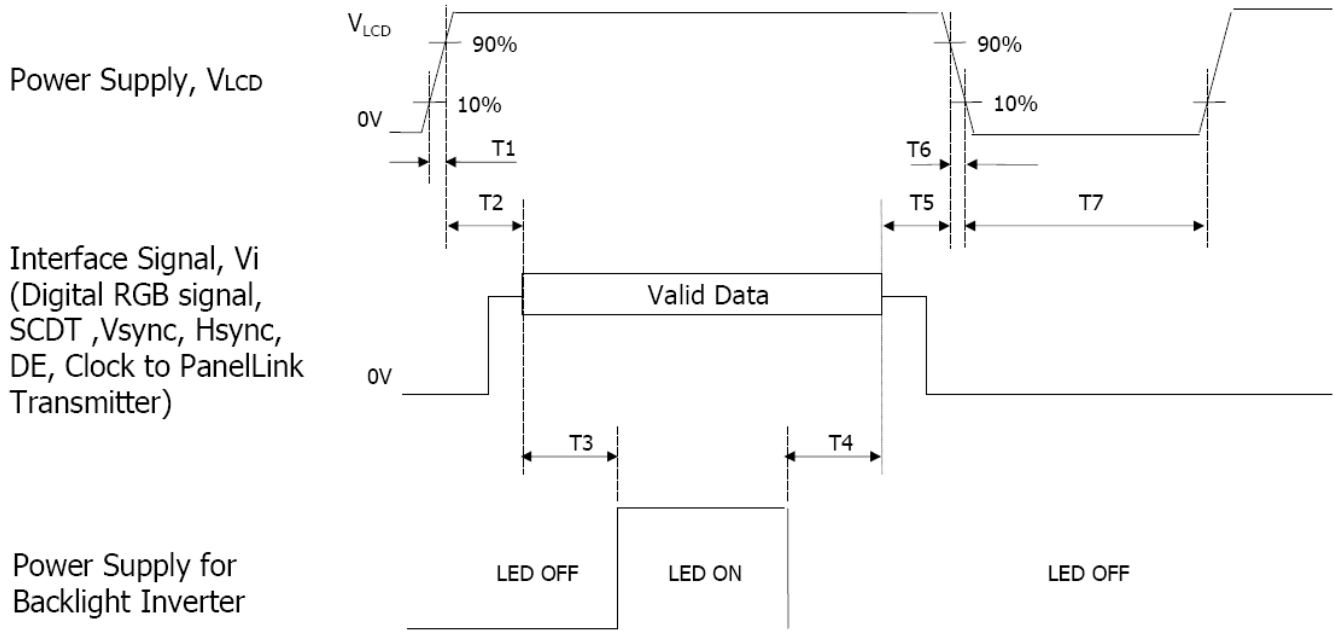


FIG.5 Power sequence

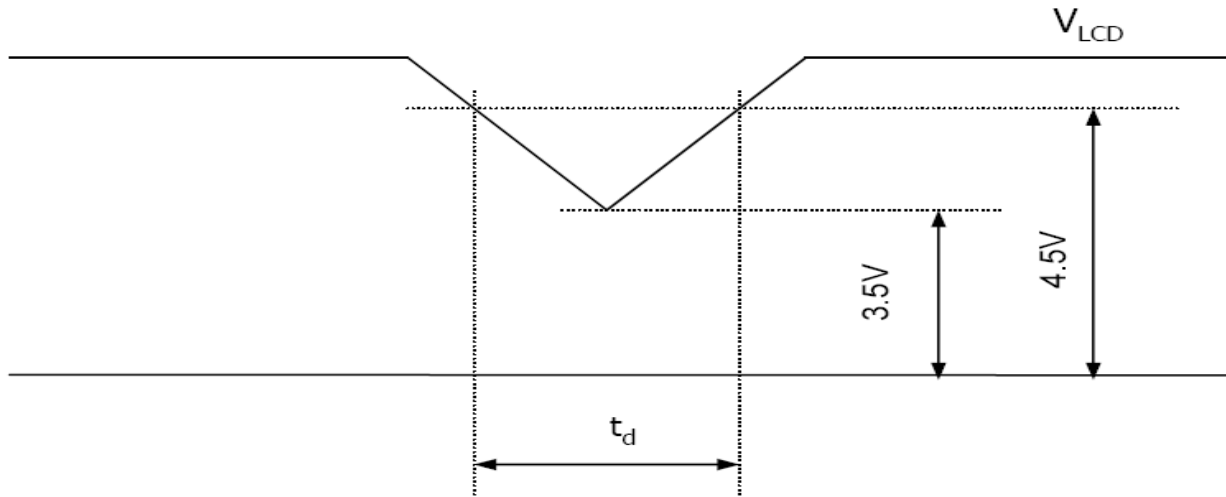
Table 8. POWER SEQUENCE

Parameter	Value			Unit
	Min	Typ	Max	
T1	0.5	-	10	ms
T2	0.01	-	50	ms
T3	500	-	-	ms
T4	200	-	-	ms
T5	0.01	-	50	ms
T7	1000	-	-	ms

Notes :

1. Please avoid floating state of interface signal at invalid period.
2. When the interface signal is invalid, be sure to pull down the power supply for LCD VLCD to 0V.
3. LED power must be turn on after power supply for LCD and interface signal are valid.

### 3.7. VLCD Power Dip Condition



**FIG.6 Power dip condition**

1) Dip condition

$$3.5V \leq V_{LCD} < 4.5V, t_d \leq 20ms$$

2)  $V_{LCD} < 3.5V$

$V_{LCD}$ -dip conditions should also follow the Power On/Off conditions for supply voltage.

#### 4. Optical specification

Optical characteristics are determined after the unit has been 'ON' for approximately 30 minutes in a dark environment at  $25 \pm 2^\circ\text{C}$ . The values specified are at an approximate distance 50cm from the LCD surface at a viewing angle of F and q equal to  $0^\circ$  and aperture 1 degree.

FIG. 1 presents additional information concerning the measurement equipment and method.

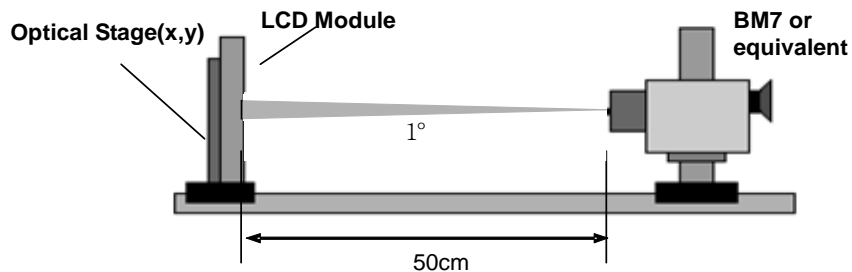


FIG. 1 Optical Characteristic Measurement Equipment and Method

Table 10. Optical characteristics

( $T_a=25^\circ\text{C}$ ,  $V_{LCD}=5\text{V}$ ,  $f_v=60\text{Hz}$  Dclk=144MHz,  $I_s=110\text{mA}$ )

Parameter	Symbol	Value			Unit	Remarks	
		Min	Typ	Max			
Contrast Ratio	CR	600	1000	-		1	
Surface Luminance, white	$L_{WH}$	300	350		cd/m <sup>2</sup>	2	
Luminance Variation	$\delta_{WHITE}$	75	-	-	%	3	
Response Time	G-to-G, AVR	TGtoG_AVR	-	14	25	ms	4
	G-to-G (BW)	G to G BW	-	8	-	ms	9
Color Coordinates [CIE1931]	RED	Rx	Typ -0.03	0.638	Typ +0.03		
		Ry		0.331			
	GREEN	Gx		0.308			
		Gy		0.625			
	BLUE	Bx		0.154			
		By		0.072			
	WHITE	Wx		0.313			
		Wy		0.329			
Color Shift (Avg. $\Delta u'v' < 0.02$ )	Horizontal	$\theta_{CST\_H}$	-	100		degree	5
	Vertical	$\theta_{CST\_V}$	-	140			
Viewing Angle (CR>10)							
General	Horizontal	$\theta_H$	170	178	-	degree	6
	Vertical	$\theta_V$	170	178	-		
GSR @ 60degree (Gamma shift rate)	Horizontal	Gamma_H	-	-	20	%	7
	Vertical	Gamma_V	-	-	20		
Gray Scale	-	-	-	2.2	-		8

- Notes :
1. Contrast Ratio(CR) is defined mathematically as :  
 Contrast Ratio = (Surface Luminance with all white pixels) / (Surface Luminance with all black pixels)  
 It is measured at center 1-point.
  2. Surface luminance (LWH) is luminance value at Center 1 point(P1) across the LCD surface 50cm from the surface with all pixels displaying white. For more information see FIG.8
  3. The variation in surface luminance ,  $\delta$  WHITE is defined as :

$$\delta_{White} = \text{Minimum}(Lp1 , Lp2 , .. Lp9 ) / \text{Maximum} (Lp1 , Lp2 , .... Lp9 ) \times 100$$

Where L1 to L9 are the luminance with all pixels displaying white at 9 locations.  
 For more information see FIG.8

4. Gray to gray response time is the time required for the display to transition from gray to gray.  
 For additional information see Table 10.
5. Color shift is the angle at which the average color difference for all Macbeth is lower than 0.02.  
 For more information see FIG.9

- Color difference ( $\Delta u'v'$ )

$$u' = \frac{4x}{-2x + 12y + 3} \quad v' = \frac{9y}{-2x + 12y + 3} \quad \Delta u'v' = \sqrt{(u'_1 - u'_2)^2 + (v'_1 - v'_2)^2}$$

$$Avg(\Delta u'v') = \frac{\sum_{i=1}^{24} (\Delta u'v')_i}{24}$$

$u'_1, v'_1$  :  $u'v'$  value at viewing angle direction  
 $u'_2, v'_2$  :  $u'v'$  value at front ( $\theta=0$ )  
 $i$  : Macbeth chart number (Define 23 page)

- Pattern size : 25% Box size
- Viewing angle direction of color shift : Horizontal, Vertical

6. Viewing angle is the angle at which the contrast ratio is greater than 10. The angles are determined for the horizontal or x axis and the vertical or y axis with respect to the z axis which is normal to the LCD surface. For more information see FIG.10

7. GSR is the rate of gamma shift at up, down, left and right 60 degree viewing angle compare with center gamma. For more information see FIG.11 and FIG.12

- GSR ( $\delta$  Gamma ) is defined as :

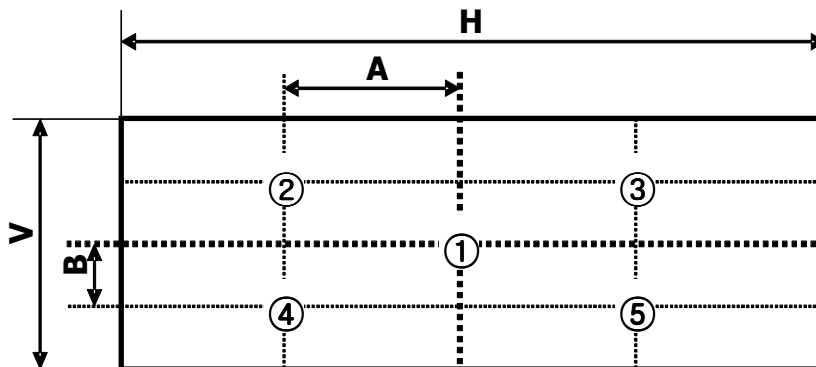
$$GSR = \left( 1 - \frac{\text{View angle Gamma Value (Up, Down, Reft, Light 60 Degree)}}{\text{Center Gamma Value (0 Degree)}} \right) \times 100$$

Notes 8. Gamma Value is approximately 2.2. For more information see Table 11.

Notes 9. Response time is the time required for the display to transit from any gray to white (Rise Time, TrR) and from any gray to black (Decay time, TrD).

G to GBW Spec stands for average value of all measured points.

Measuring point for surface luminance & luminance variation



**FIG.8 5-Points for Luminance Measure**

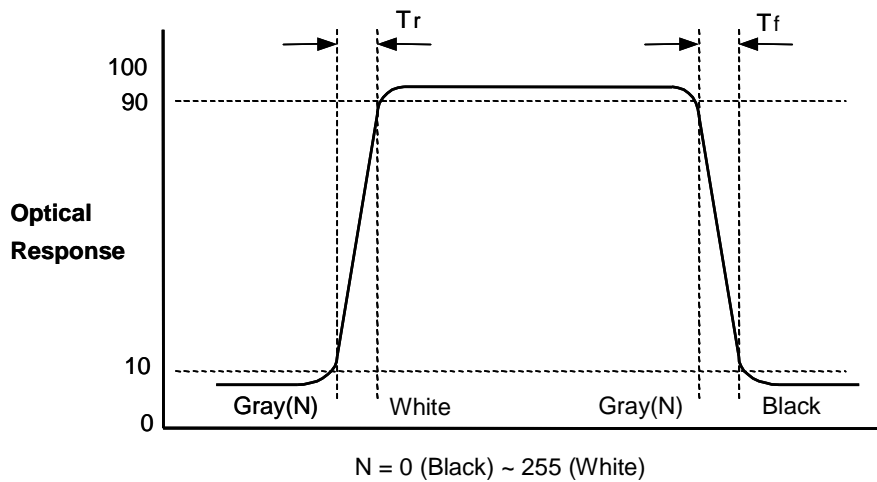
The Gray to Gray response time is defined as the following figure and shall be measured by switching the input signal for "Gray To Gray".

- Gray step : 5 Step
- TGTG\_AVR is the total average time at rising time and falling time for "Gray To Gray".
- if system use ODC ( Over Driving Circuit) function, Gray to Gary response time may be 5ms~8ms GtG
- \* it depends on Overshoot rate.

**Table. 10 GTG Gray Table**

Gray to Gray		Rising Time				
		G255	G191	G127	G63	G0
Falling Time	G255					
	G191					
	G127					
	G63					
	G0					

Response time is defined as the following figure and shall be measured by switching the input signal for "Gray(N)" and "Black or White".



Color shift is defined as the following test pattern and color.

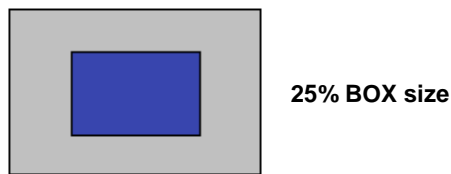


FIG.9 Color Shift Test Pattern

Average RGB values in Bruce RGB for Macbeth Chart

	Dark skin (i=1)	Light skin	Blue sky	Foliage	Blue flower	Bluish green
R	98	206	85	77	129	114
G	56	142	112	102	118	199
B	45	123	161	46	185	178
	Orange	Purplish blue	Moderate red	Purple	Yellow green	Orange yellow
R	219	56	211	76	160	230
G	104	69	67	39	193	162
B	24	174	87	86	58	29
	Blue	Green	Red	Yellow	Magenta	Cyan
R	26	72	197	241	207	35
G	32	148	27	212	62	126
B	145	65	37	36	151	172
	White	Neutral 8	Neutral 6.5	Neutral 5	Neutral 3.5	Black
R	240	206	155	110	63	22
G	240	206	155	110	63	22
B	240	206	155	110	63	22

Dimension of viewing angle range

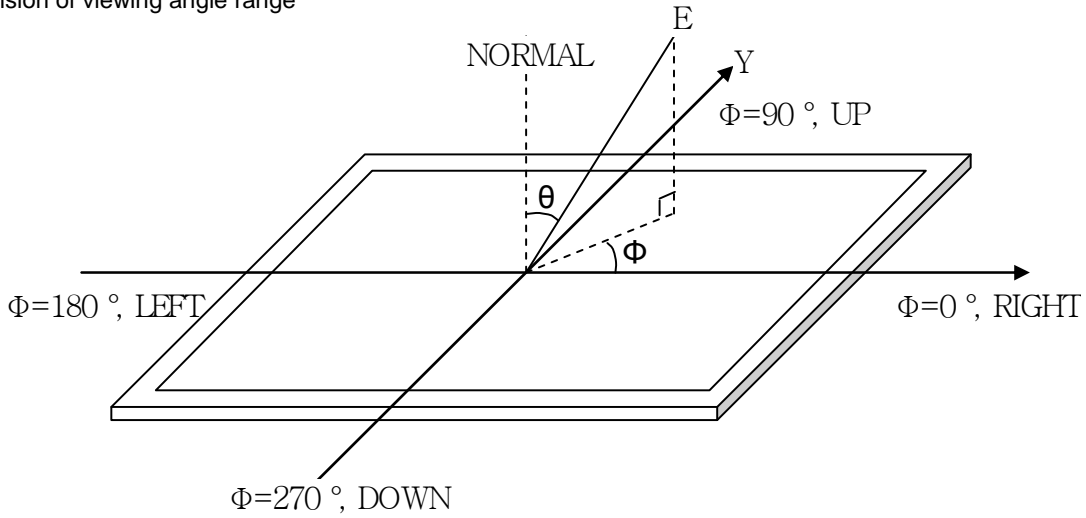


FIG. 10 Viewing Angle

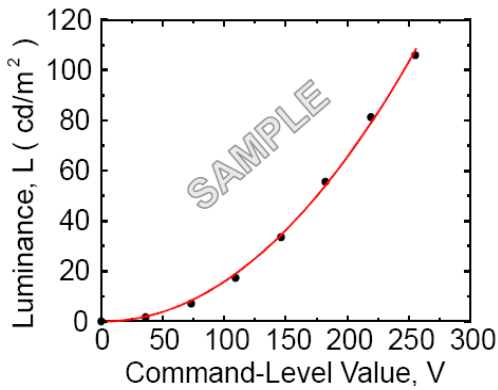


FIG.11 Sample Luminance vs. gray scale (using a 256 bit gray scale)

$$L = aV^{\gamma} + L_b$$

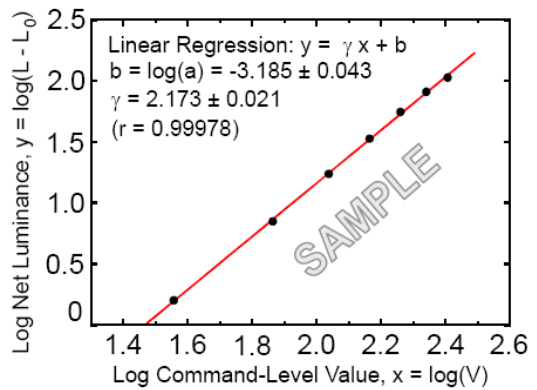


FIG.12 Sample Log-log plot of luminance vs. gray scale

$$\log(L - L_b) = r \log(V) + \log(a)$$

Here the Parameter  $\alpha$  and  $\gamma$  relate the signal level  $V$  to the luminance  $L$ .  
The GAMMA we calculate from the log-log representation (FIG.11)



Table 11. Gray Scale Specification

Gray Level	Relative Luminance [%] (Typ.)
0	0.11
31	1.08
63	4.72
95	11.49
127	21.66
159	35.45
191	53.00
223	74.48
255	100

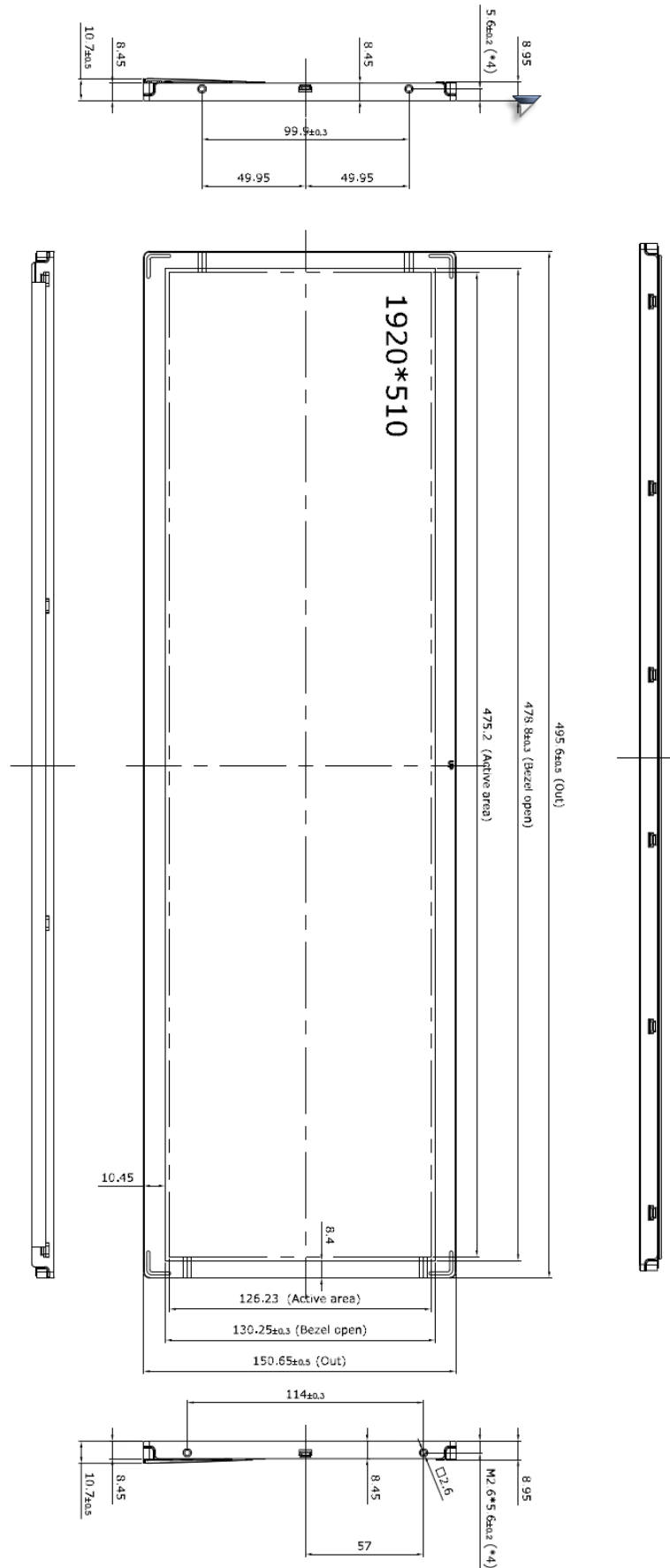
## 5. Mechanical Characteristics

Item	Value	
Outline Dimension	Horizontal	495.6 mm
	Vertical	150.65mm
	Depth	10.7 mm
Bezel Area	Horizontal	478.8 mm
	Vertical	130.25 mm
Active Display Area	Horizontal	475.2 mm
	Vertical	126.23mm
Weight	0.71 kg	

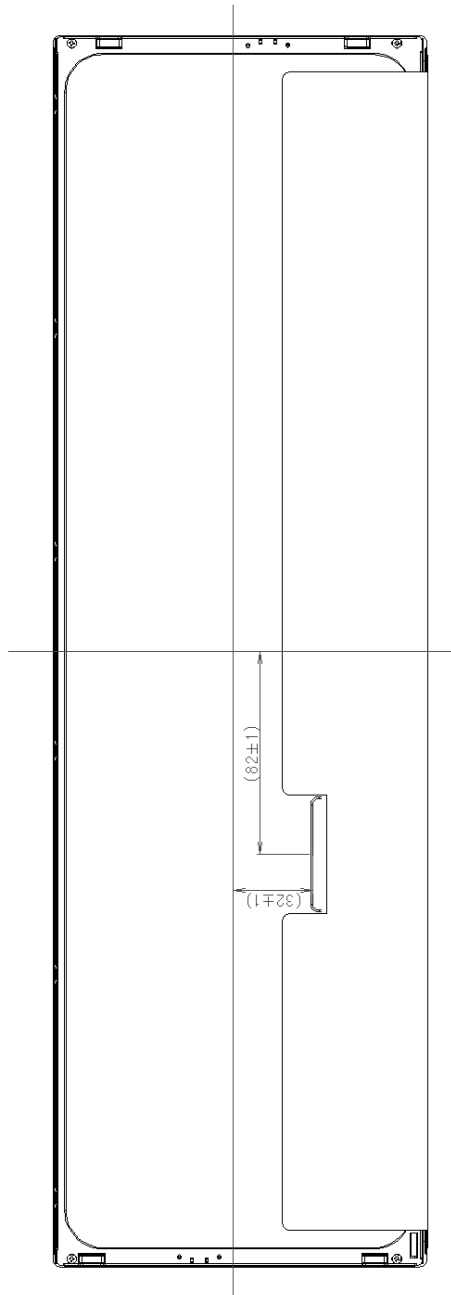
Notes :

Please refer to a mechanic drawing in terms of tolerance at the next page.

<FRONT VIEW>



<REAR VIEW>



## 6. Reliability

**Table 13. Environment test conditions**

No.	Test Item	Condition	
1	High temperature storage test	Ta= 60°C                      240h	
2	Low temperature storage test	Ta= -20°C                      240h	
3	High temperature operation test	Ta= 50°C                      50%RH                      240h	
4	Low temperature operation test	Ta= 0°C                                      240h	
5	Vibration test (non-operation)	Wave form : random Vibration level : 1.00Grms Bandwidth : 10-300Hz Duration : X,Y,Z 10min One time Each direction	
6	Shock test (non-operation)	Shock level : 100Grms Waveform : half sine wave, 2ms Direction : ± X, ± Y, ± Z One time Each direction	
7	Humidity condition Operation	Ta= 40°C                      90%RH	
8	Altitude	operating	0 - 16,000 ft
		storage / shipment	0 - 40,000 ft
9	Maximum Storage Humidity for 4 corner light leakage Mura.	Max 70%RH , Ta=40°C	

## 7. Precautions

Please pay attention to the followings when you use this TFT LCD module.

### 7-1. Mounting Precautions

- (1) You must mount a module using specified mounting holes (Details refer to the drawings).
- (2) You should consider the mounting structure so that uneven force (ex. Twisted stress) is not applied to the Module. And the case on which a module is mounted should have sufficient strength so that external force is not transmitted directly to the module.
- (3) Please attach the surface transparent protective plate to the surface in order to protect the polarizer. Transparent protective plate should have sufficient strength in order to resist external force.
- (4) You should adopt radiation structure to satisfy the temperature specification.
- (5) Acetic acid type and chlorine type materials for the cover case are not desirable because the former generates corrosive gas of attacking the polarizer at high temperature and the latter causes circuit break by electro-chemical reaction.
- (6) Do not touch, push or rub the exposed polarizers with glass, tweezers or anything harder than HB pencil lead. And please do not rub with dust clothes with chemical treatment. Do not touch the surface of polarizer for bare hand or greasy cloth. (Some cosmetics are detrimental to the polarizer.)
- (7) When the surface becomes dusty, please wipe gently with absorbent cotton or other soft materials like chamois soaks with petroleum benzene. Normal-hexane is recommended for cleaning the adhesives used to attach front / rear polarizers. Do not use acetone, toluene and alcohol because they cause chemical damage to the polarizer.
- (8) Wipe off saliva or water drops as soon as possible. Their long time contact with polarizer causes deformations and color fading.
- (9) Do not open the case because inside circuits do not have sufficient strength.

### 7-2. Operating precautions

- (1) The spike noise causes the mis-operation of circuits. It should be lower than following voltage :  $V=\pm 200\text{mV}$ (Over and under shoot voltage)
- (2) Response time depends on the temperature. (In lower temperature, it becomes longer.)
- (3) Brightness depends on the temperature. (In lower temperature, it becomes lower.) And in lower temperature, response time (required time that brightness is stable after turned on) becomes longer.
- (4) Be careful for condensation at sudden temperature change. Condensation makes damage to polarizer or electrical contacted parts. And after fading condensation, smear or spot will occur.
- (5) When fixed patterns are displayed for a long time, remnant image is likely to occur.
- (6) Module has high frequency circuits. Sufficient suppression to the electromagnetic interference shall be done by system manufacturers. Grounding and shielding methods may be important to minimized the interference.
- (7) Please do not give any mechanical and/or acoustical impact to LCM. Otherwise, LCM can not be operated its full characteristics perfectly.
- (8) A screw which is fastened up the steels should be a machine screw (if not, it causes metal foreign material and deal LCM a fatal blow)
- (9) Please do not set LCD on its edge.
- (10) The conductive material and signal cables are kept away from LED driver inductor to prevent abnormal display, sound noise and temperature rising.

### 7-3. Electrostatic discharge control

Since a module is composed of electronic circuits, it is not strong to electrostatic discharge. Make certain that treatment persons are connected to ground through wrist band etc. And don't touch interface pin directly.

### 7-4. Precautions for strong light exposure

Strong light exposure causes degradation of polarizer and color filter.

### 7-5. Storage

When storing modules as spares for a long time, the following precautions are necessary.

- (1) Store them in a dark place. Do not expose the module to sunlight or fluorescent light. Keep the temperature between 5°C and 35°C at normal humidity.
- (2) The polarizer surface should not come in contact with any other object. It is recommended that they be stored in the container in which they were shipped.

### 7-6. Handling precautions for protection film

- (1) The protection film is attached to the bezel with a small masking tape. When the protection film is peeled off, static electricity is generated between the film and polarizer. This should be peeled off slowly and carefully by people who are electrically grounded and with well ion-blown equipment or in such a condition, etc.
- (2) When the module with protection film attached is stored for a long time, sometimes there remains a very small amount of glue still on the bezel after the protection film is peeled off.
- (3) You can remove the glue easily. When the glue remains on the bezel surface or its vestige is recognized, please wipe them off with absorbent cotton waste or other soft material like chamois soaked with normal-hexane.