

# Coin Cell Supercapacitors

## KW Series



### Description

Cooper Bussmann PowerStor supercapacitors are unique, ultra-high capacitance devices utilizing electrochemical double layer capacitor (EDLC) construction combined with new, high performance materials. This combination of advanced technologies allows Cooper Bussmann to offer a wide variety of capacitor solutions tailored to specific applications that range from a few micro-amps for several days to several amps for milliseconds.

The KW Series offers a wide range of high capacitance coin cell style products for use in memory and RTC back-up applications. End products include electricity meters, motor control units and solar inverters.

### Features & Benefits

- High specific capacitance
- Low leakage current
- Long cycle life
- Eco-friendly

### Applications

- RTC Back-up
- Electric utility meters
- Motor control units
- Solar inverters



Specifications	
Working Voltage	5.5V
Surge Voltage	6.3V
Capacitance	0.1F to 1.0F
Capacitance Tolerance	-20% to +80% (20°C)
Operating Temperature Range	-40°C to 85°C

Standard Product				
Capacitance (F)	Part Number	Maximum Initial ESR ( $\Omega$ ) (Equivalent Series Resistance) Measured @ 1kHz	Maximum Dimensions (mm)	Typical Mass (grams/piece)
0.1	KW-5R5C104-R	50	$\varnothing = 13.5\text{mm}$ ; H = 8.30mm; P = 5mm	3.7
0.22	KW-5R5C224-R	50	$\varnothing = 13.5\text{mm}$ ; H = 8.30mm; P = 5mm	3.7
0.33	KW-5R5C334-R	50	$\varnothing = 13.5\text{mm}$ ; H = 8.30mm; P = 5mm	3.7
0.68	KW-5R5C684-R	30	$\varnothing = 21.5\text{mm}$ ; H = 9.00mm; P = 5mm	10.2
1.0	KW-5R5C105-R	30	$\varnothing = 21.5\text{mm}$ ; H = 9.00mm; P = 5mm	10.4

Performance		
Parameter	Capacitance Change (% of initial measured value)	ESR (% of maximum initial ESR)
Life (1000 hrs @ 85°C @ 5.5Vdc)	$\leq 30\%$	$\leq 200\%$
Storage - Low and High Temperature (1000 hrs @ -40°C and 85°C)	$\leq 30\%$	$\leq 200\%$



Ihr Vertriebspartner:  
**HY-LINE**<sup>®</sup>  
 POWER COMPONENTS

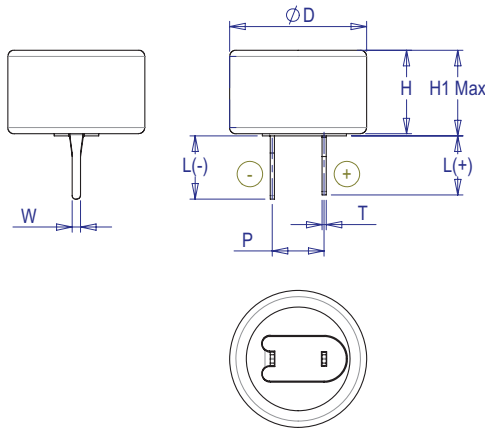
Inselkammerstraße 10  
 D-82008 Unterhaching  
 Tel: +49 (0)89 614 503 10  
 Fax +49 (0)89 614 503 20  
 E-Mail: power@hy-line.de  
 URL: www.hy-line.de

Gründenstrasse 82  
 CH-8247 Flurlingen  
 Tel: +41 (0)52 647 42 00  
 Fax +41 (0)52 647 42 01  
 E-Mail: power@hy-line.ch  
 URL: www.hy-line.ch

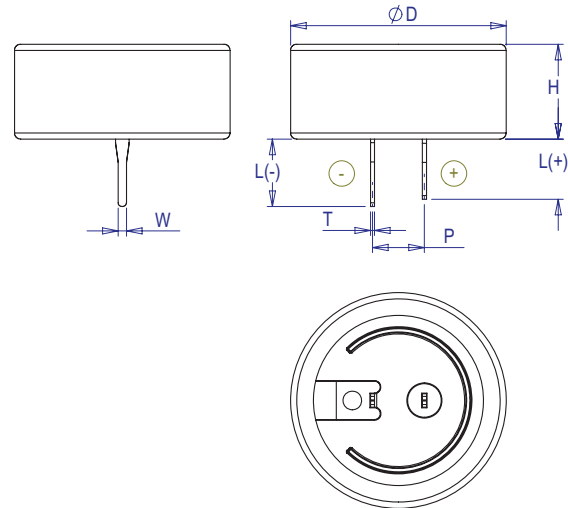


Dimensions - mm								
Part Number	ØD Max	H±0.20	H1 Max	L(-)±0.20	L(+) $\pm$ 0.20	P±0.30	T	W±0.10
KW-5R5C104-R	13.5	8.05	8.30	6.10	5.70	5.00	0.40	0.80
KW-5R5C224-R	13.5	8.05	8.30	6.10	5.70	5.00	0.40	0.80
KW-5R5C334-R	13.5	8.05	8.30	6.10	5.70	5.00	0.40	0.80
KW-5R5C684-R	21.5	8.80	9.00	6.50	5.80	5.00	0.40	0.80
KW-5R5C105-R	21.5	8.80	9.00	6.50	5.80	5.00	0.40	0.80

### 0.1F to 0.33F



### 0.68F to 1.0F



Part Numbering System									
KW	-	5	R	5	□	□	□	-	R
Series Code		Voltage (V) R = Decimal			Configuration	Capacitance ( $\mu$ F)			RoHS Compliant
KW Series		5R5 = 5.5V		C = Cylindrical	Value	Multiplier			
Wide Temperature					Example: 104 = 10 x 10 <sup>4</sup> $\mu$ F or 0.1F				

### Packaging Information

Standard bulk packaging:  
 KW-5R5C104-R, KW-5R5C224-R, KW-5R5C334-R - 400 units  
 KW-5R5C684-R, KW-5R5C105-R - 500 units

### Part Marking

Manufacturer  
 Capacitance (F)  
 Nominal Working Voltage (V)  
 Series Code (or part number)  
 Polarity

#### North America

Cooper Bussmann  
 1225 Broken Sound Parkway NW  
 Suite F  
 Boca Raton, FL 33487-3533  
 Tel: 1-561-998-4100  
 Fax: 1-561-241-6640  
 Toll Free: 1-888-414-2645

Cooper Bussmann  
 P.O. Box 14460  
 St. Louis, MO 63178-4460  
 Tel: 1-636-394-2877  
 Fax: 1-636-527-1607

#### Europe

Cooper Bussmann  
 Cooper (UK) Limited  
 Burton-on-the-Wolds  
 Leicestershire • LE12 5TH UK  
 Tel: +44 (0) 1509 882 737  
 Fax: +44 (0) 1509 882 786

Cooper Bussmann  
 Avda. Santa Eulalia, 290  
 08223  
 Terrassa, (Barcelona), Spain  
 Tel: +34 937 362 812  
 +34 937 362 813  
 Fax: +34 937 362 719

#### Asia Pacific

Cooper Bussmann  
 1 Jalan Kilang Timor  
 #06-01 Pacific Tech Centre  
 Singapore 159303  
 Tel: +65 278 6151  
 Fax: +65 270 4160

The only controlled copy of this Data Sheet is the electronic read-only version located on the Cooper Bussmann Network Drive. All other copies of this document are by definition uncontrolled. This bulletin is intended to clearly present comprehensive product data and provide technical information that will help the end user with design applications. Cooper Bussmann reserves the right, without notice, to change design or construction of any products and to discontinue or limit distribution of any products. Cooper Bussmann also reserves the right to change or update, without notice, any technical information contained in this bulletin. Once a product has been selected, it should be tested by the user in all possible applications.

Life Support Policy: Cooper Bussmann does not authorize the use of any of its products for use in life support devices or systems without the express written approval of an officer of the Company. Life support systems are devices which support or sustain life, and whose failure to perform, when properly used in accordance with instructions for use provided in the labeling, can be reasonably expected to result in significant injury to the user.

© 2012 Cooper Bussmann  
 www.cooperbussmann.com

