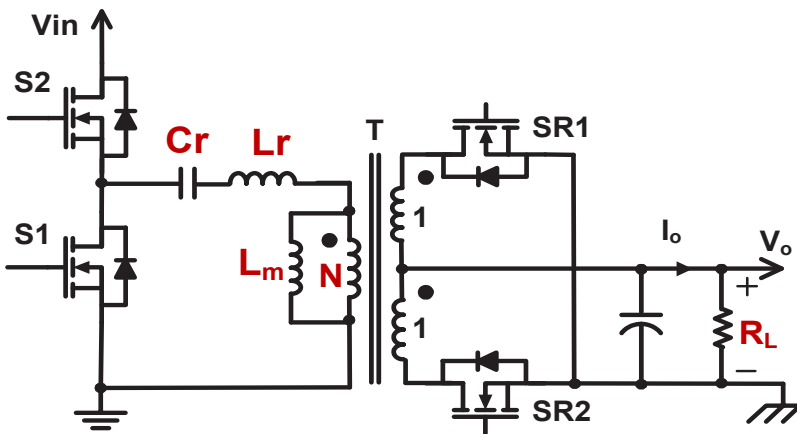


EZ-GaN Eval Board, LLC

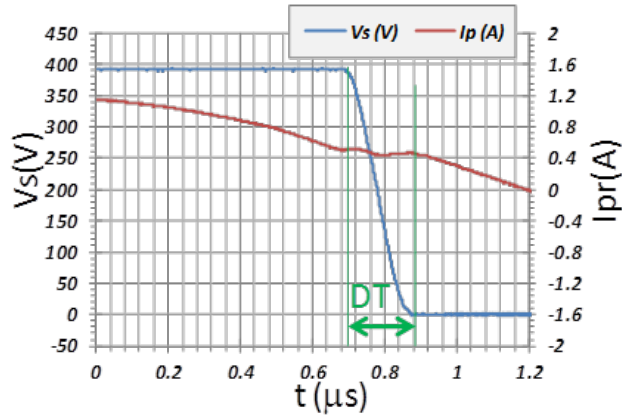
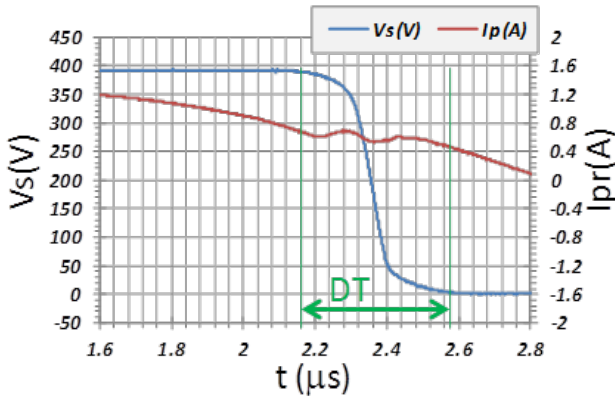
**Complete 250 W LLC Eval Board
 with HV GaN HEMTs;
 Switches at 200 kHz with High
 Power Density and High Efficiency**

Transphorm has designed its complete 250 W LLC Eval Board that includes an LLC controller IC and two 600 V GaN high electron mobility transistors (HEMTs) in bridge configuration on the primary side and synchronized rectification on the secondary side. The compact-size board is designed to switch at 200 kHz and maintains high efficiency, showcasing GaN devices' advantage in the LLC application. With 390 Vdc input, the LLC Eval Board can deliver up to 12 V / 20 A, and has a peak efficiency of 97.5 %.



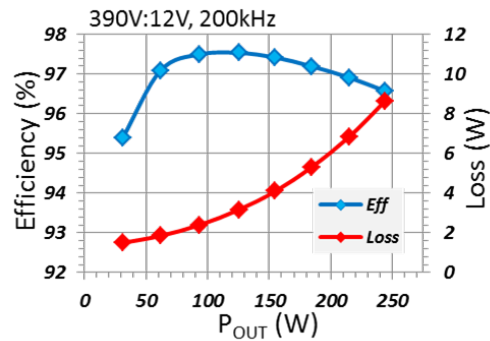
- **Unique Quiet-Tab™ package enables low EMI design**
- **Maintains high efficiency with high operating frequency and density**
- **Showcases GaN advantage in soft-switching applications**

TDPS251E0D2-KIT - Complete 250 W LLC Eval Board



Switching waveforms showing a much shorter dead time for GaN HEMTs

The lower output charge of the GaN HEMT results in a much shorter dead time, therefore a wider window for power transfer to reduce RMS current, leading to lower overall losses. This advantage is more significant for compact converters running at >500kHz switching frequencies. Similar benefits apply to all high-frequency resonant circuits.



Parts Available

	Description	Minimum Order	Delivery
TDPS251E0D2-KIT	250 W LLC Evaluation Board Kit	1	Stock to 12 weeks
TPH3002PS	600 V / 0.29 Ω GaN HEMT, TO-220	20	Stock to 12 weeks
TPH3002PD	600 V / 0.29 Ω GaN HEMT, TO-220	20	Stock to 12 weeks
TPH3002LS	600 V / 0.29 Ω GaN HEMT, PQFN88	20	Stock to 12 weeks
TPH3002LD	600 V / 0.29 Ω GaN HEMT, PQFN88	20	Stock to 12 weeks
TPH3006PS	600 V / 0.15 Ω GaN HEMT, TO-220	10	Stock to 12 weeks
TPH3006PD	600 V / 0.15 Ω GaN HEMT, TO-220	10	Stock to 12 weeks
TPH3006LS	600 V / 0.15 Ω GaN HEMT, PQFN88	10	Stock to 12 weeks
TPH3006LD	600 V / 0.15 Ω GaN HEMT, PQFN88	10	Stock to 12 weeks